

**Product Catalogue  
Imperial Applications  
2015**

**CONNECT<sup>®</sup>**  
**AIR SPRINGS**



### About Us

MEKLAS started as a humble workshop in Bursa in 1986 founded by Mr.Mecit Celik in order to produce air-suspension bellows. Today, however, with more than 800 references of air-suspension bellows in its product range, Meklas Group is on its way to becoming a global company.

With 27 years of experience we manufacture a variety of air suspension bellows such as;

- Complete and only roll bellows for buses,
- Complete and service assembly air springs for trucks, tractors and trailers.
- Lift-axle air springs for heavy duty commercial vehicles and trailers,
- Cabin and Seat air springs for commercial vehicles,
- Air suspension bellows for customized vehicles, caravans, pick-up trucks, SUV's and passenger cars,
- Air suspension bellows for industrial applications,
- Air suspension bellows for railway systems and trains,

In 2003 Mr.Selcuk Celik took over management of Meklas Group as the second generation. The company gained its corporate identity as we know it today in 2005, and has set its goal towards steady growth in the progressive automotive commercial vehicles industry by investing in technology and human resources. With logistics and distribution centers in the United States and Europe put into operation in 2010, Meklas Group collectively carries out exports to 60 countries on 5 continents.

Becoming fully operational as of June 2012, the new production plant in Bursa Free Zone has allowed Meklas Group to double its production capacity with a total covered area of 10,000 m<sup>2</sup> (107,639 ft<sup>2</sup>), 250 employees and an annual production of 1,500,000 units of air suspension bellows.

Meklas Group continues to grow steadily in the global market with its renowned brands CONNECT, AIR EXPERT and MAXISUS by offering its customers superior quality combined with Meklas confidence.

### Our Goal

Is to be a company that fulfills its responsibilities towards customers, suppliers, society and the world with our employees that have individual qualities which are defined by the quality policy, and we aim to achieve and manage this better than all our competitors.

### Our Vision

Is to be the most preferred company in the domestic and international markets by suppliers and customer portfolio with our product quality and brand reliability.

### Our Mission

Is supplying raw materials and parts from reliable sources, and manufacturing superior quality air springs, using developing technologies in order to satisfy our customers' present and future needs the best we can.



### Mekpa Hava Süspansiyon Körukleri Koll. Şti.

Our second factory located in Bursa Free Zone began operations in 2012 with a closed area of 6000 m<sup>2</sup> (64583 ft<sup>2</sup>). The annual production capacity is 850,000 units of which 95% of it is conducted as exports.

### Meklas Otomotiv İth. İhr. San. ve Tic. Ltd. Şti.

Meklas Automotive gained its corporate identity in 2005, the factory is located in Bursa Organized Industrial Zone with a closed area of 4000 m<sup>2</sup> (43056 ft<sup>2</sup>), and with an annual production capacity of 650,000 units it has been producing for the needs of the domestic market and the Middle East.



### Mekpa Cz s.r.o

Thanks to our warehouse located in Ostrava Czech Republic established in 2011, we are able to execute deliveries to our customers in the European region between 1-4 working days and without minimum order quantity.

### Mekpa Na Inc.

Our distribution center located in Bonita Springs, FL / USA was established in 2010 with an objective to meet our North American customers' needs quickly and without minimum order quantity limitations.





### **Air Springs For Buses (Bellows)**

The connection ends have a constricted opening (conus throat) which allows the bellow to easily fit on or disassemble off plates and pistons at suitable diameters. These types of air suspensions bellows are preferred on buses and light commercial vehicles.

### **Lift Axle Bellows (Convolute Air Springs)**

Made up of one or more convolutions, these air bellows are used on a very wide range of applications. In general they are used on multi-axle vehicles as an axle-lifting bellow when the vehicle is empty in order to protect the wheels. Convolute bellows are easy to assemble and primarily long-lasting.



### **Service Assembly (Air Springs Without Piston)**

Service Assembly type bellows are primarily used on trailers, semi-trailers and tractors. It is produced by vulcanizing or crimp assembling a connection piece (plate) on the top end of a rolling lobe air spring.

### **Tractor (Trucks) Air Springs (Service Assembly & Complete)**

Used as the prime assembly or as spare part on tractors. These types are produced as complete air springs by attaching a composite or steel piston to the bottom of a service assembly air spring.



### **Trailer Air Springs (Service Assembly & Complete)**

They are service assembly or complete air springs used on trailers.

### **Cabin Air Springs**

In adverse road conditions, cabin air bellows primarily reduce the level of vibration transmitted to the driver's cab. In this way, reduces the driver's fatigue level on long journeys.





### Seat Air Springs

Seat bellows provide less exposure to the conditions of the road, providing increased ride comfort, and thus holding the vehicle drivers performance at the highest level.

### Air Springs For Pickup Trucks,Suv's And Customized

Tapered and predominantly convoluted type air springs used on light commercial vehicles, pick-up trucks and SUV's allow the adjustment of the desired ride height. Items in this category are usually sold as air suspension kits fully-equipped with necessary parts and components.



### Air Springs For Railway Systems

These are large diameter convoluted air springs which are used in nowadays advancing rail system technologies. These air springs have special properties which improve the riding performance of trains in many ways.

### Air Springs For Agricultural Machinery And Vehicles

Applications for this type of air suspension bellows range from different machinery and vehicles used in harvesting to general agricultural tasks.



### Bellows Used for Industrial Applications

Used for many industrial applications such as carpet extraction (squeezing) machines, industrial washing machines and industrial dishwashers, all of which need vibration isolation and shock prevention provided by the air springs. .

### Air Springs for Construction & Heavy Machinery





Connect Air Springs is our most well-known brand air suspension bellows in the domestic and international markets which its production accounts for 60% of total production figures and is currently in a distribution network in over 60 countries on 5 continents making it a global brand as replacement parts with OEM quality. Connect Air Springs today has a product range of over 700 references with continuous dynamic stock levels which are delivered to our customers with short delivery times.



Mainly sold abroad in Northern European countries Air Expert brand has a competitive price policy as high quality air-suspension bellows offered to our customers. Our bellows are sold through major distributors of the brand Air Expert.



Taking place among the well known brands in the Middle East market, MAXISUS is climbing to the top with high quality and competitive prices in a region which intensely holds the highest level of competition.



Suitable for regions where competition reaches very tough conditions UNISUS is a brand more economically suitable. UNISUS trademark provides the optimum balance of quality and price.



ROCK RIDE brand is sold as an air suspension kit or only as air springs for SUV's, Pickup Trucks, modified custom cars and light commercial vehicles. The distribution of this brand is mainly from our U.S. establishment MEKPA N.A. INC located in Bonita Springs, Florida. ROCK RIDE brand is sold in North America for the most part.

As MEKLAS GROUP employees we understand the following from the definition of QUALITY, and we are always committed to follow this definition which sheds light on everything we do.

To ensure customer satisfaction by meeting customer needs and expectations,

Minimize customer return rates and to keep them at a minimum level,

Having awareness of quality, environmental care, health and safety by all employees to ensure continuous improvement. Also to regard training and education as an indispensable part of maintaining a sense of responsibility.

To assist our suppliers in fulfilling our expectations and supporting them in the process, we ensure that with our growth they also grow,

To implement the requirements and all the activities of "ISO 14001:2004" in each stage of production. We desire to pass on to future generations a livable environment by maintaining all of our activities in this context,

To ensure the persistence of "ISO 14001:2004" environmental standard by complying with the goals related to the environment standard and in accordance with the commissioning of the necessary resources for it.

Effectively implement all Management Systems Standards,

To be aware of employee health and safety responsibilities and know that it's just as important as our work tasks,

Our goal is to have the individual qualities described here with our employees, customers, supporting companies, who fulfill their responsibilities towards society and the world, and it is to be a company that manages to do that better than all its competitors.




# CERTIFICATE

This is to certify that

**meklas group** **MEKPA HAVA SÜSPANSİYON KÖRÜKLERİ KOLL.ŞTİ.**  
Bursa Serbest Böge Hisar Mevki Liman Yolu  
Gemlik-BURSA/TÜRKİYE

has implemented and maintains a **Quality Management System**.

Scope:  
Manufacturing of air suspension systems with product design

An audit, conducted and documented in a report, has verified that this quality management system fulfills the requirements of the following ISO Technical Specification:

**ISO/TS 16949 : 2009**  
(with product design)

Certification decision	2013-11-22	
This certificate is valid until	2016-11-21	
Certificate Registration No.	31300009	
IATF No.	0174332	
Frankfurt am Main, Germany	2013-11-22	

**DQS GmbH**  
*G. Blochschmidt*  
Gitz Blochschmidt  
Managing Director

IATF Contact Office: DQS GmbH, August-Schanz-Strasse 21, 60433 Frankfurt am Main





# CERTIFICATE

This is to certify that

**meklas group** **MEKPA HAVA SÜSPANSİYON KÖRÜKLERİ KOLL.ŞTİ.**  
Bursa Serbest Böge Hisar Mevki Liman Yolu  
Gemlik-BURSA/TÜRKİYE

has implemented and maintains an **Occupational Health and Safety Management System**.

Scope:  
Manufacturing and sales of air springs

Through an audit, documented in a report, it was verified that the management system fulfills the requirements of the following standard:

**BS OHSAS 18001 : 2007**

Certificate registration no.	31300009	
Valid from	2013-11-22	
Valid until	2016-11-21	
Date of certification	2013-11-22	

**DQS GmbH**  
*G. Blochschmidt*  
Gitz Blochschmidt  
Managing Director

Accredited Body: DQS GmbH, August-Schanz-Strasse 21, 60433 Frankfurt am Main  
Administrative Office: TRGS Tic. Ltd. Şti., Bakacak Cad. Söğütözü Yeni Mah.  
Ünvan Etiler Residence, 34880 KARTAL-İSTANBUL, Turkey





# CERTIFICATE

This is to certify that

**meklas group** **MEKPA HAVA SÜSPANSİYON KÖRÜKLERİ KOLL.ŞTİ.**  
Bursa Serbest Böge Hisar Mevki Liman Yolu  
Gemlik-BURSA/TÜRKİYE

has implemented and maintains a **Quality Management System**.

Scope:  
Manufacturing and sales of air springs

Through an audit, documented in a report, it was verified that the management system fulfills the requirements of the following standard:

**ISO 9001 : 2008**

Certificate registration no.	31300009	
Valid from	2013-11-22	
Valid until	2016-11-21	
Date of certification	2013-11-22	

**DQS GmbH**  
*G. Blochschmidt*  
Gitz Blochschmidt  
Managing Director

Accredited Body: DQS GmbH, August-Schanz-Strasse 21, 60433 Frankfurt am Main  
Administrative Office: TRGS Tic. Ltd. Şti., Bakacak Cad. Söğütözü Yeni Mah.  
Ünvan Etiler Residence, 34880 KARTAL-İSTANBUL, Turkey





# CERTIFICATE

This is to certify that

**meklas group** **MEKPA HAVA SÜSPANSİYON KÖRÜKLERİ KOLL.ŞTİ.**  
Bursa Serbest Böge Hisar Mevki Liman Yolu  
Gemlik-BURSA/TÜRKİYE

has implemented and maintains an **Environmental Management System**.

Scope:  
Manufacturing and sales of air springs

Through an audit, documented in a report, it was verified that the management system fulfills the requirements of the following standard:

**ISO 14001 : 2004 + Cor 1 : 2009**

Certificate registration no.	31300009	
Valid from	2013-11-22	
Valid until	2016-11-21	
Date of certification	2013-11-22	

**DQS GmbH**  
*G. Blochschmidt*  
Gitz Blochschmidt  
Managing Director

Accredited Body: DQS GmbH, August-Schanz-Strasse 21, 60433 Frankfurt am Main  
Administrative Office: TRGS Tic. Ltd. Şti., Bakacak Cad. Söğütözü Yeni Mah.  
Ünvan Etiler Residence, 34880 KARTAL-İSTANBUL, Turkey









## Other Manufacturer's Cross References

CABIN & SEAT AIR SPRINGS											
No.	Connect Ref.	Product ID	Weight (kg)	Weight (lbs)	QIP (pcs)	FS.	FS. Part No.	GY.	CT.	AT. / AK.	OTHER
1	C 197036-AL	141066-CO	0.72	1.59	70	10.0" YELLOW	W02-358-7036		SC29-Y036	AS-5036	
2	C 197087	141095-CO	0.32	0.70	60	6.75" WHITE	W02-358-7087	IS5-040	SC29-W087	AS-5087	
3	C 197093	141067-CO	0.70	1.54	70	10.0" BLUE	W02-358-7093				
4	C 197164	141100-CO	0.38	0.84	80		W02-703-7164				
5	C 197166	141101-CO	0.40	0.88	80		W02-703-7166				
6	C 197205	141102-CO	0.54	1.19	70	8.0" YELLOW	W02-358-7205		SC31-Y205	AS-5205	
7	C 197206	141070-CO	0.54	1.19	70	6.5" WHITE	W02-358-7206		SC31-W206	AS-5206	
8	C 197207	141129-NT	0.58	1.28	70	BLUE	W02-358-7207		SC31-B207	127207	
9	C 197212	141096-CO	0.45	0.99	80						
10	C 197215	141071-CO	0.70	1.54	70	YELLOW	W02-358-7215		SC31-Y215	AS-5215	
11	KT 199000	141068-CO	0.45	1.00	40	9.9"	W21-760-9000				
12	S 197035	141055-CO	0.32	0.71	100	6.5" WHITE	W02-358-7035	IS4.5-121	SC29-W035	AS-5035	SEARS / DURAFORM : S9383 / S20235
13	S 197109	141056-CO	0.45	0.99	100	7.87" YELLOW	W02-358-7109		SC29-Y109		LINK : 1102-0077

## Original Equipment Cross Reference List

ARVIN MERITOR (R.O.R.)					
OEM NUMBER	CONNECT REF.	PISTON / TYPE	PRODUCT ID	VEHICLE	MODEL
202796	198729-CP	COMPOSITE	161265-CO		
21216135	199039-CP	COMPOSITE	161261-CO		
DAYTON					
OEM NUMBER	CONNECT REF.	PISTON / TYPE	PRODUCT ID	VEHICLE	MODEL
352-9039	199039-CP	COMPOSITE	161261-CO		
352-9069	199069-CP	COMPOSITE	161214-CO		
352-9082	199082-CP	COMPOSITE	161144-CO		
352-9082	199082-CS	STEEL	161145-CO		
352-9101	199101-CP	COMPOSITE	161142-CO		
352-9101	199101-CS	STEEL	161143-CO		
352-9105	199105-CP	COMPOSITE	161284-CO		
352-9121	199121-CP	COMPOSITE	161146-CO		
352-9121	199121-CS	STEEL	161147-CO		
352-9122	199122-CP	COMPOSITE	161117-CO		
352-9122	199122-CS	STEEL	161118-CO		
352-9158	199158-CP	COMPOSITE	161272-CO		
352-9158	199158-CS	STEEL	161231-CO		
352-9203	199203-CP	COMPOSITE	161275-CO		
352-9213	199213-CP	COMPOSITE	161213-CO		
352-9215	199215-CS	STEEL	161279-CO		
352-9293	199293-CP	COMPOSITE	161238-CO		
352-9321	199321-CP	COMPOSITE	161107-CO		
352-9321	199321-CS	STEEL	161108-CO		
352-9422	199422-CP	COMPOSITE	161217-CO		
352-9466	199466-CP	COMPOSITE	161218-CO		
352-9580	199580-CP	COMPOSITE	161199-CO		
352-9580	199580-CS	STEEL	161153-CO		
354-6905	DC 196905	DOUBLE CONVOLUTED	171029-CO		
354-6910	DC 196910	DOUBLE CONVOLUTED	171015-CO		
354-7135	DC 197135	DOUBLE CONVOLUTED	171016-CO		
354-7136	DC 197136	DOUBLE CONVOLUTED	171037-CO		
354-7140	DC 197140	DOUBLE CONVOLUTED	171131-CO		
354-7400	DC 197400	DOUBLE CONVOLUTED	171017-CO		
354-7403	DC 197403	DOUBLE CONVOLUTED	171028-CO		
354-7410	DC 197410	DOUBLE CONVOLUTED	171014-CO		
354-7443	DC 197443	DOUBLE CONVOLUTED	171021-CO		
354-8008	TC 198025	TRIPLE CONVOLUTED	*****		
352-9101	199101-CALU	ALUMINIUM	161363-CO		
EZ RIDE					
OEM NUMBER	CONNECT REF.	PISTON / TYPE	PRODUCT ID	VEHICLE	MODEL
8030190	DC 197180	DOUBLE CONVOLUTED	171130-CO		
FREIGHTLINER					
OEM NUMBER	CONNECT REF.	PISTON / TYPE	PRODUCT ID	VEHICLE	MODEL
16-15595-000 / 16-14004-000 / 16-13840-000 / A16-14004-000 / 681-3209017 / 16-13810-000 / 16-16773-000	199780-CP	COMPOSITE	161294-CO		
16-15595-000 / 16-14004-000 / 16-13840-000 / A16-14004-000 / 681-3209017 / 16-13810-000 / 16-16773-000	199781-CALU	ALUMINIUM	161123-CO		
16-10769-000	DC 197400	DOUBLE CONVOLUTED	171017-CO		
16-11378-000	DC 197410	DOUBLE CONVOLUTED	171014-CO		
FLD (1988 & later)	C 197087	COMPOSITE	141095-CO		
66003-3406	C 197205	COMPOSITE	141102-CO		
18-29919-000	C 197206	COMPOSITE	141070-CO		
18-40977-000	C 197207		141129-CO		
18-52651-000	C 197215	COMPOSITE	141071-CO		
GRANNING					
OEM NUMBER	CONNECT REF.	PISTON / TYPE	PRODUCT ID	VEHICLE	MODEL
1015	DC 197140	DOUBLE CONVOLUTED	171131-CO		
HENDRICKSON					
OEM NUMBER	CONNECT REF.	PISTON / TYPE	PRODUCT ID	VEHICLE	MODEL
12514-013 / 4771	198050-CS	STEEL	161158-CO		
S20901 / S21784	198091-CP	COMPOSITE	161198-CO		
S21966	198708-CP	COMPOSITE	161274-CO		
S21800 / S20900	198709-CP	COMPOSITE	161197-CO		
S22948	198713-CP	COMPOSITE	161241-CO		
S22045 / S21623	198755-CS	STEEL	161156-CO		
S25873 / S27341	198774-CP	COMPOSITE	161316-CO		
S20217	198944-CP	COMPOSITE	161254-CO		
S2064 / S11650	199039-CP	COMPOSITE	161261-CO		
S13031	199069-CP	COMPOSITE	161214-CO		

# Original Equipment Cross Reference List

<b>HENDRICKSON</b>					
S2066 / S4041 / S11651 / S13159 / B12514-007	199082-CP	COMPOSITE	161144-CO		
S2066 / S4041 / S11651 / S13159 / B12514-007	199082-CS	STEEL	161145-CO		
S1245 / 36514-3	199105-CP	COMPOSITE	161284-CO		
S13160	199121-CP	COMPOSITE	161146-CO		
S13160	199121-CS	STEEL	161147-CO		
S3467 / S3830 / 36514-2 / 36514-8 / S12514-010 / S12514-008 / S12437	199122-CP	COMPOSITE	161117-CO		
S3467 / S3830 / 36514-2 / 36514-8 / S12514-010 / S12514-008 / S12437	199122-CS	STEEL	161118-CO		
S7128	199156-CP	COMPOSITE	161110-CO		
S7128	199156-CS	STEEL	161109-CO		
S12514-004 / S12514-011 / S2063	199158-CP	COMPOSITE	161272-CO		
S12514-004 / S12514-011 / S2063	199158-CS	STEEL	161231-CO		
S6195 / NA1817	199192-CP	COMPOSITE	161286-CO		
S2694	199203-CP	COMPOSITE	161275-CO		
S3648	199215-CS	STEEL	161279-CO		
48195-2	199223-CP	COMPOSITE	161277-CO		
C20413 / S20124	199265-CP	COMPOSITE	161196-CO		
C20010 / C20108	199270-CS	STEEL	161160-CO		
S20010	199270-CS01	STEEL	161246-CO		
50405-1 / 50405-2	199287-CP	COMPOSITE	161257-CO		
50898-1 / 50898-2 / 64651-2	199297-CP	COMPOSITE	161334-CO		
B12514-003	199302-CP	COMPOSITE	161228-CO		
B14249	199321-CP	COMPOSITE	161107-CO		
B14249	199321-CS	STEEL	161108-CO		
B4375 / B14249 / 003319	199367-CP	COMPOSITE	161115-CO		
B4375 / B14249 / 003319	199367-CS	STEEL	161116-CO		
57122-1 / 57122-2	199373-CP	COMPOSITE	161245-CO		
50899-1 / 50899-2	199375-CP	COMPOSITE	161247-CO		
S103522	199394-CP	COMPOSITE	161255-CO		
B-13032	199422-CP	COMPOSITE	161217-CO		
49048 / 49674-1 / 49674-2 / 49207 / 409048-2C / 364QS28	199466-CP	COMPOSITE	161218-CO		
S20127	199580-CP	COMPOSITE	161199-CO		
S20127	199580-CS	STEEL	161153-CO		
S23720	199626-CP	COMPOSITE	161262-CO		
S20223	199640-CP	COMPOSITE	161268-CO		
60271-2	199663-CP	COMPOSITE	161341-CO		
S2630	DC 196902	DOUBLE CONVOLUTED	171018-CO		
S3518 / S5270 / 45843-1	DC 196905	DOUBLE CONVOLUTED	171029-CO		
S8768 / 45843-3	DC 196910	DOUBLE CONVOLUTED	171015-CO		
S12514-014	DC 197135	DOUBLE CONVOLUTED	171016-CO		
S1080	DC 197136	DOUBLE CONVOLUTED	171037-CO		
S-3184	DC 197140	DOUBLE CONVOLUTED	171131-CO		
S1013	DC 197400	DOUBLE CONVOLUTED	171017-CO		
S1159 / S2883 / B12514-001	DC 197403	DOUBLE CONVOLUTED	171028-CO		
S10170	DC 197410	DOUBLE CONVOLUTED	171014-CO		
S13035	DC 197443	DOUBLE CONVOLUTED	171021-CO		
B14486 / 3317	DC 197795	DOUBLE CONVOLUTED	171032-CO		
S23114 / 002878	DC 197897	DOUBLE CONVOLUTED	171022-CO		
S14487 / 3316	TC 198033	TRIPLE CONVOLUTED	171035-CO		
S-28929	199978-CP	COMPOSITE	161370-CO		
<b>HISTEER</b>					
OEM NUMBER	CONNECT REF.	PISTON / TYPE	PRODUCT ID	VEHICLE	MODEL
10315	DC 197550	DOUBLE CONVOLUTED	171128-CO		
<b>HOLLAND (New ay)</b>					
OEM NUMBER	CONNECT REF.	PISTON / TYPE	PRODUCT ID	VEHICLE	MODEL
90557226	SC 197008	SINGLE CONVOLUTED	171172-CO		
<b>HUTCHENS</b>					
OEM NUMBER	CONNECT REF.	PISTON / TYPE	PRODUCT ID	VEHICLE	MODEL
H-9424-01 / 9424-03	199039-CP	COMPOSITE	161261-CO		
H-9630-01	199082-CP	COMPOSITE	161144-CO		
H-9630-01	199082-CS	STEEL	161145-CO		
<b>KENWORTH</b>					
OEM NUMBER	CONNECT REF.	PISTON / TYPE	PRODUCT ID	VEHICLE	MODEL
C81-1003	198813-CP	COMPOSITE	161326-CO		
K-303-6 / K-303-14 / K-303-15	199422-CP	COMPOSITE	161217-CO		
C81-1005	199541-CP	COMPOSITE	161349-CO		
K-303-16	199616-CP	COMPOSITE	161335-CO		
K-303-22	199622-CP	COMPOSITE	161278-CO		
KW AEROCAB	S 197109	SEAT	141056-CO		

## Original Equipment Cross Reference List

KENWORTH					
C81-1005	199541- CP	COMPOSITE	161349-CO		
K-303-28	199675- CP	COMPOSITE	161359-CO		
LOADGUARD					
OEM NUMBER	CONNECT REF.	PISTON / TYPE	PRODUCT ID	VEHICLE	MODEL
SC2052	198050-CS	STEEL	161158-CO		
SC2757	198829-CP	COMPOSITE	161339-CO		
SC2756	198944-CP	COMPOSITE	161254-CO		
SC2033	199039-CP	COMPOSITE	161261-CO		
SC2034	199069-CP	COMPOSITE	161214-CO		
SC2035 / SC2762	199082-CP	COMPOSITE	161144-CO		
SC2035 / SC2762	199082-CS	STEEL	161145-CO		
SC2038	199101-CP	COMPOSITE	161142-CO		
SC2038	199101-CS	STEEL	161143-CO		
SC2039	199105-CP	COMPOSITE	161284-CO		
SC2040	199121-CP	COMPOSITE	161146-CO		
SC2040	199121-CS	STEEL	161147-CO		
SC2098	199122-CP	COMPOSITE	161117-CO		
SC2098	199122-CS	STEEL	161118-CO		
SC2044	199156-CP	COMPOSITE	161110-CO		
SC2044	199156-CS	STEEL	161109-CO		
SC2045 / SC2115	199158-CP	COMPOSITE	161272-CO		
SC2045 / SC2115	199158-CS	STEEL	161231-CO		
SC2120	199192-CP	COMPOSITE	161286-CO		
SC2048	199213-CP	COMPOSITE	161213-CO		
SC2047	199215-CS	STEEL	161279-CO		
SC2070	199219-CP	COMPOSITE	161330-CO		
SC2759	199265-CP	COMPOSITE	161196-CO		
SC2770	199287-CP	COMPOSITE	161257-CO		
SC2760	199296-CP	COMPOSITE	161340-CO		
SC2120	199321-CP	COMPOSITE	161107-CO		
SC2120	199321-CS	STEEL	161108-CO		
SC2120	199367-CP	COMPOSITE	161115-CO		
SC2120	199367-CS	STEEL	161116-CO		
SC2773	199375-CP	COMPOSITE	161247-CO		
SC2050	199422-CP	COMPOSITE	161217-CO		
SC2175	199466-CP	COMPOSITE	161218-CO		
SC2761	199580-CP	COMPOSITE	161199-CO		
SC2761	199580-CS	STEEL	161153-CO		
SC2758	199640-CP	COMPOSITE	161268-CO		
SC2750	199780-CP	COMPOSITE	161294-CO		
SC2750	199781-CALU	ALUMINUM	161123-CO		
SC2010	DC 196902	DOUBLE CONVOLUTED	171018-CO		
SC2071	DC 196905	DOUBLE CONVOLUTED	171029-CO		
SC2011	DC 196910	DOUBLE CONVOLUTED	171015-CO		
SC2072	DC 196927	DOUBLE CONVOLUTED	171173-CO		
SC2013	DC 197135	DOUBLE CONVOLUTED	171016-CO		
SC2075	DC 197180	DOUBLE CONVOLUTED	171130-CO		
SC2014	DC 197136	DOUBLE CONVOLUTED	171037-CO		
SC2015	DC 197140	DOUBLE CONVOLUTED	171131-CO		
SC2020	DC 197400	DOUBLE CONVOLUTED	171017-CO		
SC2021	DC 197403	DOUBLE CONVOLUTED	171028-CO		
SC2023	DC 197410	DOUBLE CONVOLUTED	171014-CO		
SC2026	DC 197443	DOUBLE CONVOLUTED	171021-CO		
SC2131	TC 198018	TRIPLE CONVOLUTED	171036-CO		
SC2130	TC 198025	TRIPLE CONVOLUTED	*****		
SC2784	TC 198033	TRIPLE CONVOLUTED	171035-CO		
SC2122	DC 196943	DOUBLE CONVOLUTED	171176-CO		
SC2123	DC 196948	DOUBLE CONVOLUTED	171182-CO		
SC2038	199101-CALU	ALUMINUM	161363-CO		
MACK					
OEM NUMBER	CONNECT REF.	PISTON / TYPE	PRODUCT ID	VEHICLE	MODEL
57QL54M	198829-CP	COMPOSITE	161339-CO		
364SQ27 / 57QL414M	199375-CP	COMPOSITE	161247-CO		
57QL411M / 364SQ28	199466-CP	COMPOSITE	161218-CO		
NAVISTAR / FLEETRITE					
OEM NUMBER	CONNECT REF.	PISTON / TYPE	PRODUCT ID	VEHICLE	MODEL
1685174C1 / FLT1R14039	198050-CS	STEEL	161158-CO		
FLT1R13177	198708-CP	COMPOSITE	161274-CO		
FLT1R13159	198709-CP	COMPOSITE	161197-CO		

# Original Equipment Cross Reference List

NAVISTAR / FLEETRITE					
FLT1R12615	198829-CP	COMPOSITE	161339-CO		
FLT1R12568	198852-CP	COMPOSITE	161291-CO		
554766C1	199039-CP	COMPOSITE	161261-CO		
554764C1 / FLT1R12069	199069-CP	COMPOSITE	161214-CO		
517559C9 / FLT1R12092	199082-CP	COMPOSITE	161144-CO		
517559C9 / FLT1R12092	199082-CS	STEEL	161145-CO		
554768C1	199101-CP	COMPOSITE	161142-CO		
554768C1	199101-CS	STEEL	161143-CO		
554770C1	199105-CP	COMPOSITE	161284-CO		
554773C1	199121-CP	COMPOSITE	161146-CO		
554773C1	199121-CS	STEEL	161147-CO		
1681748C1 / FLT1R13038	199122-CP	COMPOSITE	161117-CO		
1681748C1 / FLT1R13038	199122-CS	STEEL	161118-CO		
554777C1 / 1681742C1	199156-CP	COMPOSITE	161110-CO		
554777C1 / 1681742C1	199156-CS	STEEL	161109-CO		
554780C1 / 1681745C1	199158-CP	COMPOSITE	161272-CO		
554780C1 / 1681745C1	199158-CS	STEEL	161231-CO		
1681738C1 / 1681740C1	199192-CP	COMPOSITE	161286-CO		
2027911C1 / 501559C-1 / 501559C-2 / 1660581C-1 / 1686386C1	199213-CP	COMPOSITE	161213-CO		
554781C1	199215-CS	STEEL	161279-CO		
1681739C1 / 1672401C1	199219-CP	COMPOSITE	161330-CO		
FLT1R12375	199265-CP	COMPOSITE	161196-CO		
1622372C1	199287-CP	COMPOSITE	161257-CO		
1670073C-1 / 1686386C-1 / 2027911C-1 / 1670043C1	199371-CP	COMPOSITE	161240-CO		
FLT1R12403	199373-CP	COMPOSITE	161245-CO		
554762C1	199422-CP	COMPOSITE	161217-CO		
FLT1R13118	199580-CP	COMPOSITE	161199-CO		
2027911C1 / 2027911C2 / 2027911C3 / FLT1R12538	199648-CP	COMPOSITE	161323-CO		
FLT1R12303	199780-CP	COMPOSITE	161294-CO		
3541731C1	199875-CP	COMPOSITE	161276-CO		
554784C1	DC 196902	DOUBLE CONVOLUTED	171018-CO		
1685175C1	DC 196905	DOUBLE CONVOLUTED	171029-CO		
554783C1	DC 196910	DOUBLE CONVOLUTED	171015-CO		
1685176C1	DC 196927	DOUBLE CONVOLUTED	171173-CO		
554800C1	DC 197135	DOUBLE CONVOLUTED	171016-CO		
554798C1	DC 197136	DOUBLE CONVOLUTED	171037-CO		
554799C1	DC 197140	DOUBLE CONVOLUTED	171131-CO		
1685179C1	DC 197180	DOUBLE CONVOLUTED	171130-CO		
554788C1	DC 197400	DOUBLE CONVOLUTED	171017-CO		
554787C1	DC 197403	DOUBLE CONVOLUTED	171028-CO		
554768C1	199101-CALU	ALUMINUM	161363-CO		
NAVISTAR / FLEETRITE					
OEM NUMBER	CONNECT REF.	PISTON / TYPE	PRODUCT ID	VEHICLE	MODEL
554792C1	DC 197410	DOUBLE CONVOLUTED	171014-CO		
554786C1	DC 197443	DOUBLE CONVOLUTED	171021-CO		
PEERLESS					
OEM NUMBER	CONNECT REF.	PISTON / TYPE	PRODUCT ID	VEHICLE	MODEL
0550-00001	DC 197180	DOUBLE CONVOLUTED	171130-CO		
PETERBILT					
OEM NUMBER	CONNECT REF.	PISTON / TYPE	PRODUCT ID	VEHICLE	MODEL
C81-6000	198813-CP	COMPOSITE	161326-CO		
03-07887	198852-CP	COMPOSITE	161291-CO		
03-08716	198864-CP	COMPOSITE	161256-CO		
03-06213 / 03-07111	199026-CP	COMPOSITE	161252-CO		
03-02456 / 03-04759 / 03-01649 / 03-06746 / 03-07112 / 03-02038 / 03-10042	199069-CP	COMPOSITE	161214-CO		
29-03200	C 197036-AL	ALUMINUM	141066-CO		
29-06016	C 197093	COMPOSITE	141067-CO		
REYCO					
OEM NUMBER	CONNECT REF.	PISTON / TYPE	PRODUCT ID	VEHICLE	MODEL
23631-01	198050-CS	STEEL	161158-CO		
23433-01	198740-CP	COMPOSITE	161318-CO		
12882-01	199082-CP	COMPOSITE	161144-CO		
12882-01	199082-CS	STEEL	161145-CO		
12883-01	199101-CP	COMPOSITE	161142-CO		
12883-01	199101-CS	STEEL	161143-CO		
12882-02	199121-CP	COMPOSITE	161146-CO		
12882-02	199121-CS	STEEL	161147-CO		
12883-02	199122-CP	COMPOSITE	161117-CO		

## Original Equipment Cross Reference List

REYCO					
12883-02	199122-CS	STEEL	161118-CO		
12884-01	199223-CP	COMPOSITE	161277-CO		
710387-01	199295-CP	COMPOSITE	161239-CO		
17360-01	199307-CP	COMPOSITE	161285-CO		
7640	199321-CP	COMPOSITE	161107-CO		
Reyco 20124-02 (1/2 NPT),Reyco 20124-01,Reyco 20124-01K (1/4NPT) - [Use 1/2 to 1/4 NPT adaptor]	199966-CP	COMPOSITE	161317-CO		
12906-01	DC 196927	DOUBLE CONVOLUTED	171173-CO		
18813-01 / 20018-01	DC 197555	DOUBLE CONVOLUTED	171068-CO		
93AR	TC 198018	TRIPLE CONVOLUTED	171036-CO		
12883-01	199101-CALU	ALUMINIUM	171363-CO		
RIDEWELL					
OEM NUMBER	CONNECT REF.	PISTON / TYPE	PRODUCT ID	VEHICLE	MODEL
1003588753C	198753-CS	STEEL	161250-CO		
1013589039C	199039-CP	COMPOSITE	161261-CO		
1003589082C	199082-CP	COMPOSITE	161144-CO		
1003589082C	199082-CS	STEEL	161145-CO		
S-5828-C / S-740-C / 1003589101C	199101-CP	COMPOSITE	161142-CO		
S-5828-C / S-740-C / 1003589101C	199101-CS	STEEL	161143-CO		
1003589105C	199105-CP	COMPOSITE	161284-CO		
100358912C	199121-CP	COMPOSITE	161146-CO		
100358912C	199121-CS	STEEL	161147-CO		
1003589122C	199122-CP	COMPOSITE	161117-CO		
1003589122C	199122-CS	STEEL	161118-CO		
1003589158C	199158-CP	COMPOSITE	161272-CO		
1003589158C	199158-CS	STEEL	161231-CO		
S-5356-C	199307-CP	COMPOSITE	161285-CO		
1003586900C	DC 196900	DOUBLE CONVOLUTED	171020-CO		
1003586902C	DC 196902	DOUBLE CONVOLUTED	171018-CO		
1003586905C	DC 196905	DOUBLE CONVOLUTED	171029-CO		
1003586910C	DC 196910	DOUBLE CONVOLUTED	171015-CO		
1003587135C	DC 197135	DOUBLE CONVOLUTED	171016-CO		
1003587136C	DC 197136	DOUBLE CONVOLUTED	171037-CO		
1003587140C	DC 197140	DOUBLE CONVOLUTED	171131-CO		
1003587180C	DC 197180	DOUBLE CONVOLUTED	171130-CO		
1003587400C	DC 197400	DOUBLE CONVOLUTED	171017-CO		
1003587403C / S-4302C	DC 197403	DOUBLE CONVOLUTED	171028-CO		
1003587443C / S-2683C	DC 197443	DOUBLE CONVOLUTED	171021-CO		
1003586948C	DC 196948	DOUBLE CONVOLUTED	171182-CO		
S-5828-C / S-740-C / 1003589101C	199101-CALU	ALUMINIUM	161363-CO		
R&S TRUCK					
OEM NUMBER	CONNECT REF.	PISTON / TYPE	PRODUCT ID	VEHICLE	MODEL
1090214	DC 197140	DOUBLE CONVOLUTED	171131-CO		
SAF HOLLAND (NEWAY)					
OEM NUMBER	CONNECT REF.	PISTON / TYPE	PRODUCT ID	VEHICLE	MODEL
57008050	198050-CS	STEEL	161158-CO		
90557230	198197-CP	COMPOSITE	161273-CO		
90557173 / 90557223	198204-CP	COMPOSITE	161237-CO		
XB-SPN-053-37 (BINKLEY)	198204-CP	COMPOSITE	161237-CO		
90557168	198749-CP	COMPOSITE	161248-CO		
90557001 / 90557023 / 90557085 / 90557011 / 90044199	199039-CP	COMPOSITE	161261-CO		
90557006 / 90557027 / 90557033 / 90557037 / 90557054 / 90557075 / 90044200 / 90044647	199082-CP	COMPOSITE	161144-CO		
90557006 / 90557027 / 90557033 / 90557037 / 90557054 / 90557075 / 90044200 / 90044647	199082-CP	STEEL	161145-CO		
90557082 / 90557008 / 90557009 / 90557043	199101-CP	COMPOSITE	161142-CO		
90557082 / 90557008 / 90557009 / 90557043	199101-CS	STEEL	161143-CO		
57009105 / 90557210	199105-CP	COMPOSITE	161284-CO		
90557019 / 90557010 / 90557052 / 90557078 / 90557083 / 90557110 / 90557324	199121-CP	COMPOSITE	161146-CO		
SAF HOLLAND (NEWAY)					
90557019 / 90557010 / 90557052 / 90557078 / 90557083 / 90557110 / 90557324	199121-CS	STEEL	161147-CO		
90557071 / 90557076 / 90557077 / 90557020 / 90557185	199122-CP	COMPOSITE	161117-CO		
90557071 / 90557076 / 90557077 / 90557020 / 90557185	199122-CS	STEEL	161118-CO		
90557125	199134-CP	COMPOSITE	161270-CO		
90557005 / 90557069 / 90044197	199158-CP	COMPOSITE	161272-CO		
90557005 / 90557069 / 90044197	199158-CS	STEEL	161231-CO		
90557086 / 90557108 / 90557135 / 90557136	199192-CP	COMPOSITE	161286-CO		
90557127	199213-CP	COMPOSITE	161213-CO		
57009215	199215-CS	STEEL	161279-CO		
57009219	199219-CP	COMPOSITE	161330-CO		
57009223	199223-CP	COMPOSITE	161277-CO		

# Original Equipment Cross Reference List

SAF HOLLAND (NEWAY)					
90557112	199243-CP	COMPOSITE	161283-CO		
90557120 / 90557127	199293-CP	COMPOSITE	161238-CO		
90557121	199295-CP	COMPOSITE	161239-CO		
57009302	199302-CP	COMPOSITE	161228-CO		
90557129	199307-CP	COMPOSITE	161285-CO		
57009321	199321-CP	COMPOSITE	161107-CO		
57009321	199321-CS	STEEL	161108-CO		
90557160 / 90557225 / 90557210	199366-CP	COMPOSITE	161236-CO		
90557146 / 90557182 / 90557177	199471-CP	COMPOSITE	161249-CO		
90557250	199616-CP	COMPOSITE	161335-CO		
90557372 / 50857000 / 90557363	199807-CP	COMPOSITE	161263-CO		
90557117	199921-CP	COMPOSITE	161258-CO		
90557118	199923-CP	COMPOSITE	161269-CO		
90557157 / 90557301	199935-CP	COMPOSITE	161336-CO		
90557156 / 90557300	199936-CP	COMPOSITE	161264-CO		
90557332	199974-CP	COMPOSITE	161253-CO		
90557332	199974-CS	STEEL	161328-CO		
57006902	DC 196902	DOUBLE CONVOLUTED	171018-CO		
57006905	DC 196905	DOUBLE CONVOLUTED	171029-CO		
57006910	DC 196910	DOUBLE CONVOLUTED	171015-CO		
57006927	DC 196927	DOUBLE CONVOLUTED	171173-CO		
90557001 / M0557003	DC 197135	DOUBLE CONVOLUTED	171016-CO		
57007136	DC 197136	DOUBLE CONVOLUTED	171037-CO		
57007140/90557257	DC 197140	DOUBLE CONVOLUTED	171131-CO		
57007180	DC 197180	DOUBLE CONVOLUTED	171130-CO		
90557016	DC 197400	DOUBLE CONVOLUTED	171017-CO		
57007403	DC 197403	DOUBLE CONVOLUTED	171028-CO		
57007410	DC 197410	DOUBLE CONVOLUTED	171014-CO		
57007443	DC 197443	DOUBLE CONVOLUTED	171021-CO		
XB-SPN-053-37 (BINKLEY)	DC 197555	DOUBLE CONVOLUTED	171068-CO		
90557237	DC 196943	DOUBLE CONVOLUTED	171176-CO		
90557155	199144-CP	COMPOSITE	161358-CO		
90557323	199144-CP	COMPOSITE	161358-CO		
90557082	199101-CALU	ALUMINIUM	161363-CO		
SPRING VALLEY					
OEM NUMBER	CONNECT REF.	PISTON / TYPE	PRODUCT ID	VEHICLE	MODEL
AS-8713	198753-CS	STEEL	161250-CO		
AS-8310	199082-CP	COMPOSITE	161144-CO		
AS-8310	199082-CS	STEEL	161145-CO		
AB-1000AL / AS-8315	199101-CP	COMPOSITE	161142-CO		
AB-1000AL / AS-8315	199101-CS	STEEL	161143-CO		
AS-8319	199105-CP	COMPOSITE	161284-CO		
AS-4315	DC 196905	DOUBLE CONVOLUTED	171029-CO		
AS-4434	TC 198018	TRIPLE CONVOLUTED	171036-CO		
AS-4426	DC 196943	DOUBLE CONVOLUTED	171176-CO		
AS-4429	DC 196948	DOUBLE CONVOLUTED	171182-CO		
AB1000AL / AS-8315	199101-CALU	ALUMINIUM	1161363-CO		
TAURUS					
OEM NUMBER	CONNECT REF.	PISTON / TYPE	PRODUCT ID	VEHICLE	MODEL
AS218-6927	DC 196927	DOUBLE CONVOLUTED	171173-CO		
AS214-7180	DC 197180	DOUBLE CONVOLUTED	171130-CO		
AS504-9101	199101-CALU	ALUMINIUM	161363-CO		
VOLVO					
OEM NUMBER	CONNECT REF.	PISTON / TYPE	PRODUCT ID	VEHICLE	MODEL
3934699 / 8079902 / 8084296 / 8097092 / 20505399 / 20733034	198829-CP	COMPOSITE	161339-CO		
85101153	199039-CP	COMPOSITE	161261-CO		
85101145	199069-CP	COMPOSITE	161214-CO		
85101149	199101-CP	COMPOSITE	161142-CO		
85101149	199101-CS	STEEL	161143-CO		
85101159	199121-CP	COMPOSITE	161146-CO		
85101159	199121-CS	STEEL	161147-CO		
85101163	199122-CP	COMPOSITE	161117-CO		
85101163	199122-CS	STEEL	161118-CO		
35003-3201 / 35003-3203 / 35003-3204 / 35003-3209	199219-CP	COMPOSITE	161330-CO		
85101155	199265-CP	COMPOSITE	161196-CO		
85101147	199270-CS	STEEL	161160-CO		
85101147	199270-CS01	STEEL	161246-CO		
8061151 / 8169868	199296-CP	COMPOSITE	161340-CO		



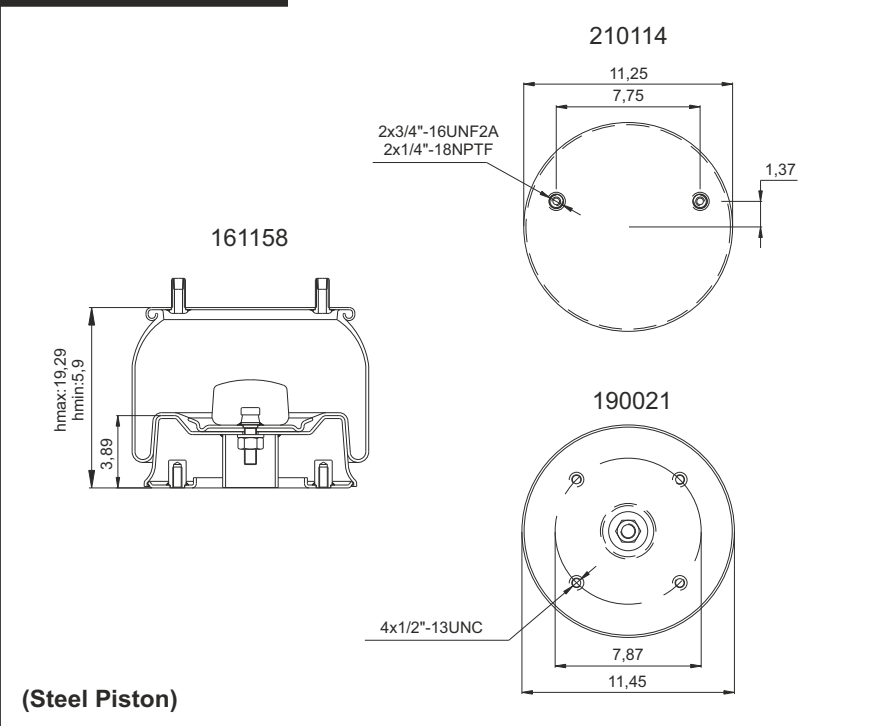
## Original Equipment Cross Reference List

VOLVO					
85101160	199321-CP	COMPOSITE	161107-CO		
85101160	199321-CS	STEEL	161108-CO		
85101148	199422-CP	COMPOSITE	161217-CO		
85101157	199466-CP	COMPOSITE	161218-CO		
85101151	199780-CP	COMPOSITE	161294-CO		
85101151	199781-CALU	ALUMINIUM	161123-CO		
85101146	DC 196905	DOUBLE CONVOLUTED	171029-CO		
85101158	DC 197410	DOUBLE CONVOLUTED	171014-CO		
85101149	199101-CALU	ALUMINIUM	161363-CO		
WATSON / CHALIN					
OEM NUMBER	CONNECT REF.	PISTON / TYPE	PRODUCT ID	VEHICLE	MODEL
AS-0039	198050-CS	STEEL	161158-CO		
AS-0175	198749-CP	COMPOSITE	161248-CO		
AS-0098	198753-CS	STEEL	161250-CO		
AS-0159G / AS-0144	198774-CP	COMPOSITE	161316-CO		
AS-0012	199039-CP	COMPOSITE	161261-CO		
AS-0077	199069-CP	COMPOSITE	161214-CO		
AS-0011	199082-CP	COMPOSITE	161144-CO		
AS-0011	199082-CS	STEEL	161145-CO		
AS-0040 / AS-00401F	199101-CP	COMPOSITE	161142-CO		
AS-0040 / AS-00401F	199101-CS	STEEL	161143-CO		
AS-0015	199105-CP	COMPOSITE	161284-CO		
AS-0013 / AS-0083	199121-CP	COMPOSITE	161146-CO		
AS-0013 / AS-0083	199121-CS	STEEL	161147-CO		
AS-0023	199122-CP	COMPOSITE	161117-CO		
AS-0023	199122-CS	STEEL	161118-CO		
AS-0124F	199158-CP	COMPOSITE	161272-CO		
AS-0124F	199158-CS	STEEL	161231-CO		
AS-0038 / AS-0046	199192-CP	COMPOSITE	161286-CO		
AS-0061	199243-CP	COMPOSITE	161283-CO		
AS-0084	199270-CS	STEEL	161160-CO		
AS-0084	199270-CS01	STEEL	161246-CO		
AS-0171	199295-CP	COMPOSITE	161239-CO		
AS-0036	199321-CP	COMPOSITE	161107-CO		
AS-0036	199321-CS	STEEL	161108-CO		
AS-0054	199366-CP	COMPOSITE	161236-CO		
AS-0104	199367-CP	COMPOSITE	161115-CO		
AS-0104	199367-CS	STEEL	161116-CO		
AS-0057	199370-CP	COMPOSITE	161149-CO		
AS-0017	199422-CP	COMPOSITE	161217-CO		
AS-0090	199921-CP	COMPOSITE	161258-CO		
AS-0058	DC 196897	DOUBLE CONVOLUTED	171027-CO		
AS-0002	DC 196902	DOUBLE CONVOLUTED	171018-CO		
AS-0020	DC 196905	DOUBLE CONVOLUTED	171029-CO		
AS-0001	DC 196910	DOUBLE CONVOLUTED	171015-CO		
AS-0004	DC 197136	DOUBLE CONVOLUTED	171037-CO		
AS-0008	DC 197140	DOUBLE CONVOLUTED	171131-CO		
AS-0003	DC 197400	DOUBLE CONVOLUTED	171017-CO		
AS-0007	DC 197403	DOUBLE CONVOLUTED	171028-CO		
AS-0027	DC 197443	DOUBLE CONVOLUTED	171021-CO		
AS-0087	DC 197550	DOUBLE CONVOLUTED	171128-CO		
WATSON / CHALIN					
AS-0032	DC 197782	DOUBLE CONVOLUTED	171038-CO		
AS-0048-1F	TC 197995	TRIPLE CONVOLUTED	171073-CO		
AS-0075	TC 198018	TRIPLE CONVOLUTED	171036-CO		
AS-0168G	TC 198033	TRIPLE CONVOLUTED	171035-CO		
AS-0041	DC 196943	DOUBLE CONVOLUTED	171176-CO		
AS-0122G	DC 196948	DOUBLE CONVOLUTED	171182-CO		
AS-0040	199101-CALU	ALUMINIUM	161363-CO		



**Product Catalogue  
Imperial Applications  
2015**

# 198050-CS



(Steel Piston)

Order No	Weight (kg)	Weight (lbs)	QIP (pcs)	Remarks
161158	12,14	26,76	33	

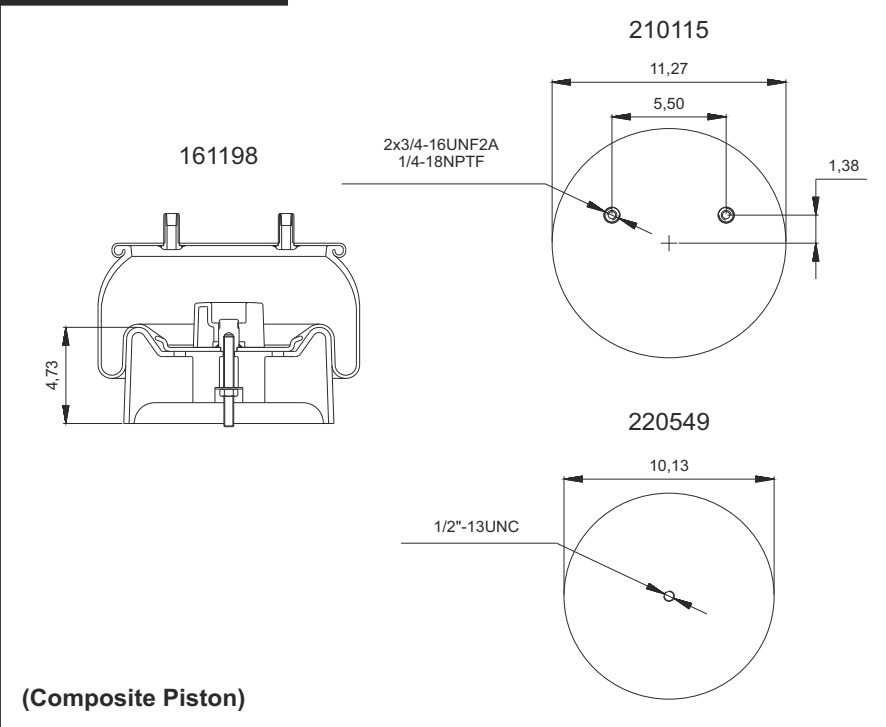
## Cross References

FS.	1T19ZK-5.7 W01-358-8050
GY.	1R14-039 1R13-055 1R14-083
CI.	11 10.5-C 16 A 320 11 10.5-E 16 A 320
AT.	38050 K
AUTOMANN	1DK28A-8050
TIANGLE	8320
FLEET PRIDE	AS8050

## OEM

HENDRICKSON	12514-013 4771
LOADGUARD	SC2052
NAVISTAR	1685174C1
FLEETRITE	FLT1R14039
REYCO	23631-01
SAF HOLLAND (NEWAY)	57008050
WATSON / CHALIN	AS-0039

# 198091-CP



(Composite Piston)

Order No	Weight (kg)	Weight (lbs)	QIP (pcs)	Remarks
161198	6,30	13,89	33	

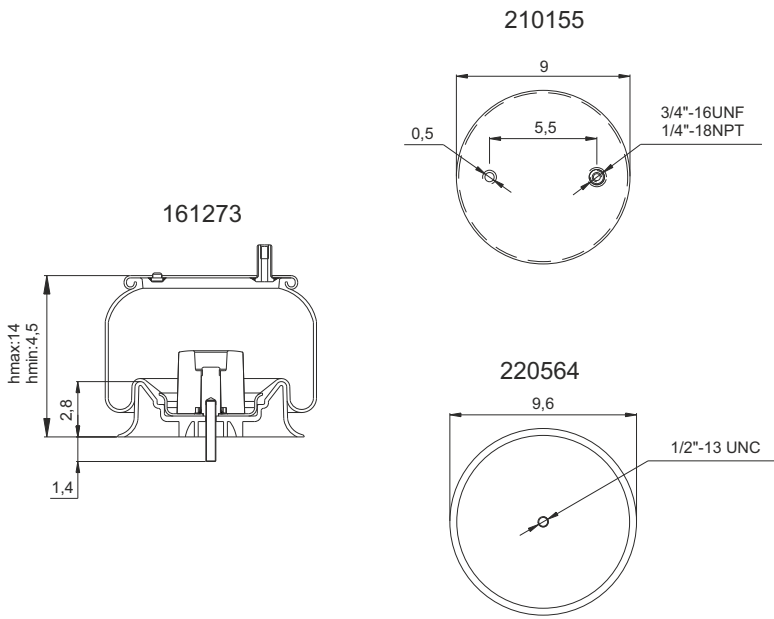
## Cross References

FS.	1T19FC-6 1T19LC-6 W01-358-8091
GY.	1R14-171
CI.	11 10.5-A 16 P 523
AUTOMANN	1DK28E-8091
TAURUS	6398
TIANGLE	8523
FLEET PRIDE	AS8091

## OEM

HENDRICKSON	S20901 S21784
-------------	------------------

# 198197-CP



(Composite Piston)

Order No	Weight (kg)	Weight (lbs)	QIP (pcs)	Remarks
161273	4,80	10,58	50	

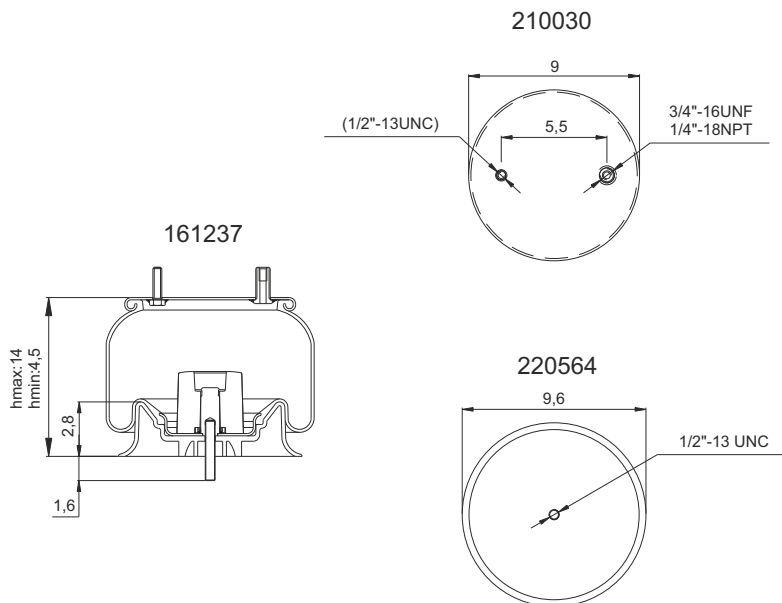
## Cross References

FS.	1T15M-2 W01-358-8197
GY	1R12-562
CT	9 10-12 P 024
AUTOMANN	1DK23H-8197
TRIANGLE	8024
FLEET PRIDE	AS8197

## OEM

SAF HOLLAND (NEWAY) 90557230

# 198204-CP



(Composite Piston)

Order No	Weight (kg)	Weight (lbs)	QIP (pcs)	Remarks
161237	4,70	10,36	54	

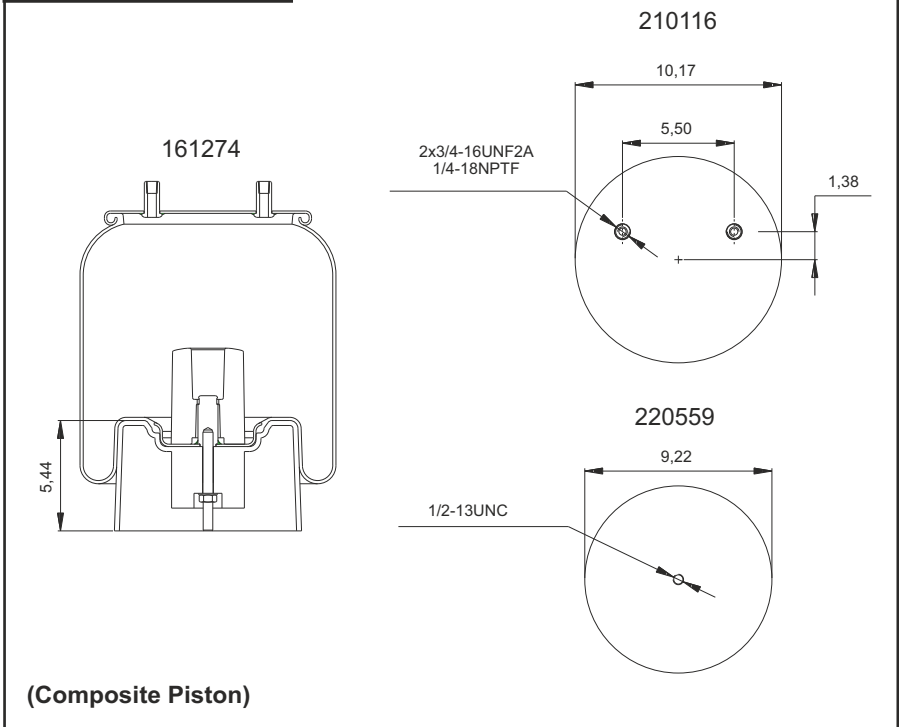
## Cross References

FS.	1T15M-2 W01-358-8204
GY	1R12-522 1R12-508
CT	9 10-12 P 484
AT	38204 KPP
AUTOMANN	1DK23H-8204
TAURUS	6361
TRIANGLE	8484
FLEET PRIDE	AS8204

## OEM

SAF HOLLAND (NEWAY) 90557173  
90557223  
XB-SPN-053-37 (BINKLEY)

# 198708-CP



## Cross References

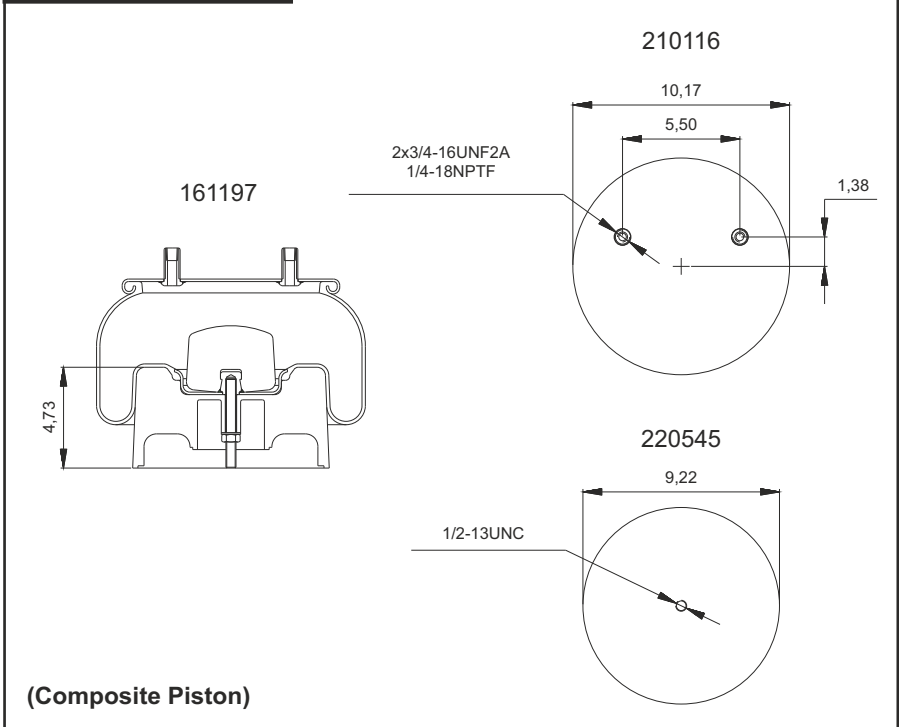
FS.	1T17CA-6.5 W01-358-8708 1R13-177
GY.	1R13-128
CI.	10 10-16 S 526
AT.	38708 KPP
AUTOMANN	1DK25E-8708
TRIANGLE	8526
FLEET PRIDE	AS8708

## OEM

HENDRICKSON	S21966
FLEETRITE	FLT1R13177

Order No	Weight (kg)	Weight (lbs)	QIP (pcs)	Remarks
161274	8,80	19,40	36	

# 198709-CP



## Cross References

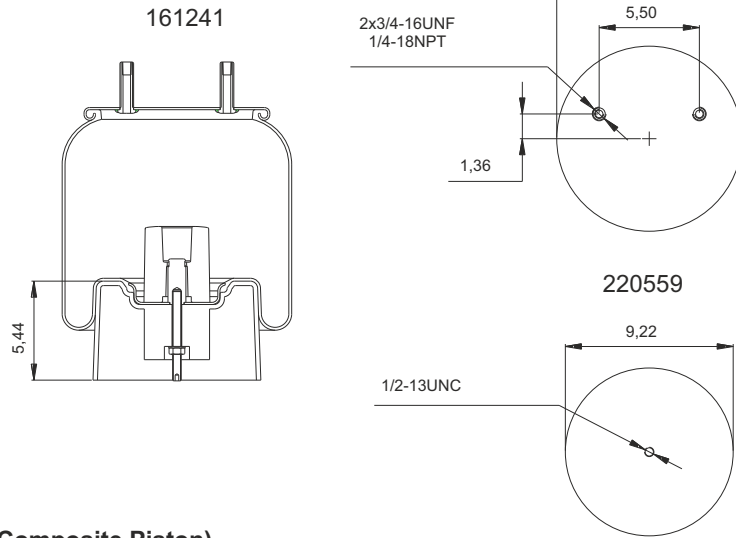
FS.	1T17CA-5 W01-358-8709 1R13-159
GY.	1R13-159
CI.	10 10.5-15 P 460
AT.	38709 KPP
AUTOMANN	1DK25A-8709
TRIANGLE	8460
FLEET PRIDE	AS8709

## OEM

HENDRICKSON	S21800 S20900
FLEETRITE	FLT1R13159

Order No	Weight (kg)	Weight (lbs)	QIP (pcs)	Remarks
161197	6,70	14,77	55	

# 198713-CP



(Composite Piston)

Order No	Weight (kg)	Weight (lbs)	QIP (pcs)	Remarks
161241	6,15	13,56	40	

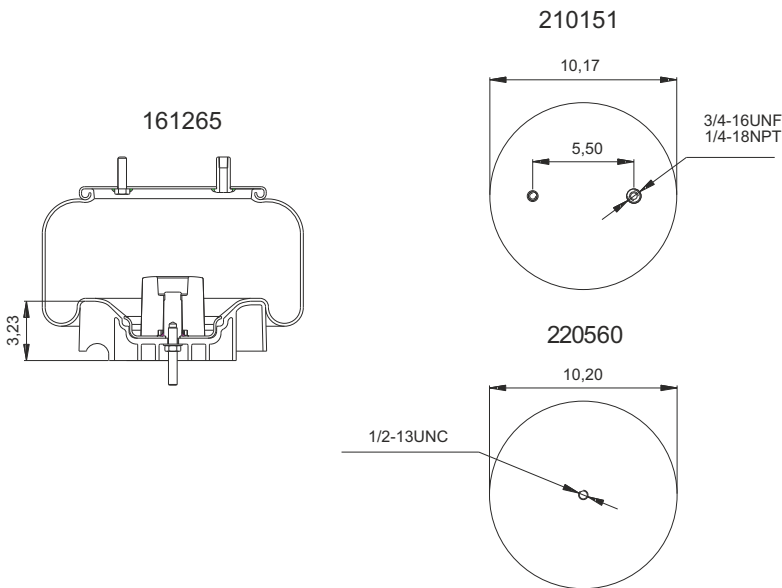
## Cross References

FS.	1T17CA-6.5 W01-358-8713
GY	1R13-176 1R13-140
CT.	10 10-16 S 533
AT.	38713 KPP
AUTOMANN	1DK25E-8713
TRIANGLE	8533
FLEET PRIDE	AS8713

## OEM

HENDRICKSON	S22948
-------------	--------

# 198729-CP



(Composite Piston)

Order No	Weight (kg)	Weight (lbs)	QIP (pcs)	Remarks
161265	5,42	11,95	55	

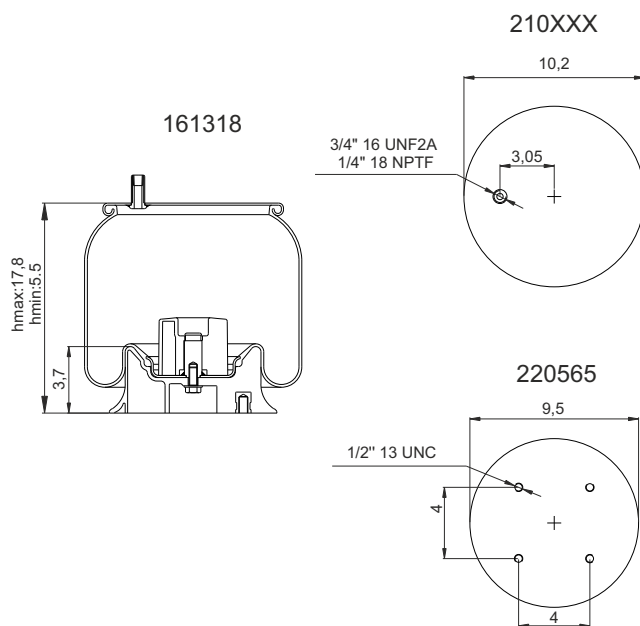
## Cross References

FS.	1T17BB-2 W01-358-8729
GY	1R13-130
CT.	10 10.5AV-12 P 513
AT.	38729 KPP
TAURUS	6396
TRIANGLE	8513

## OEM

ARVIN MERITOR (R.O.R.)	202796
------------------------	--------

# 198740-CP



(Composite Piston)

Order No	Weight (kg)	Weight (lbs)	QIP (pcs)	Remarks
161318	9,00	19,84	40	

## Cross References

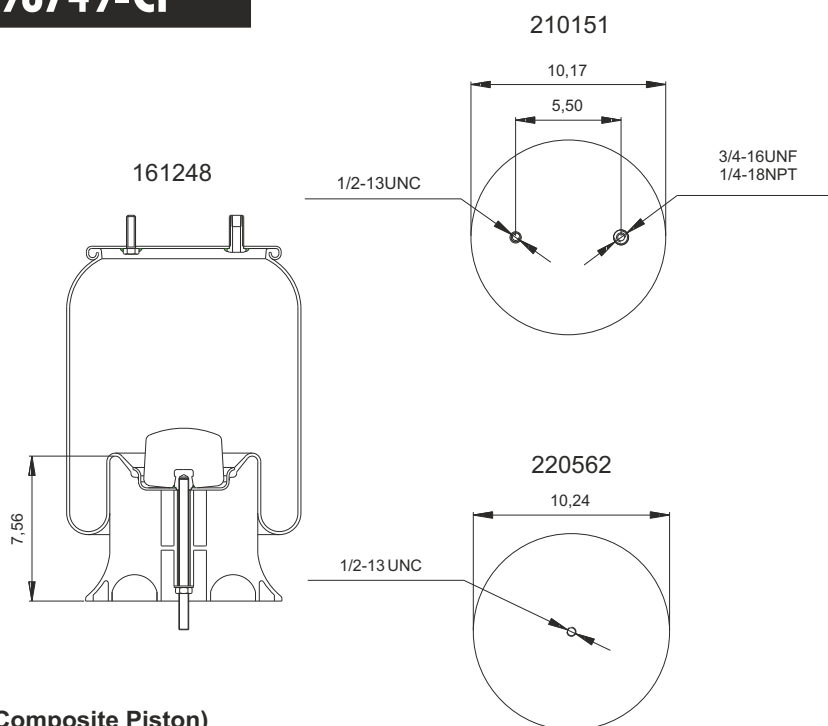
FS.	1T17B-5
	W01-358-8740
CI	10 10-15 S 773
AT	38740 C ALU
AUTOMANN	1DK25B-8740
TRIANGLE	8773
FLEET PRIDE	AS8740

## OEM

REYCO	23433-01
-------	----------



# 198749-CP



(Composite Piston)

Order No	Weight (kg)	Weight (lbs)	QIP (pcs)	Remarks
161248	7,50	16,53	30	

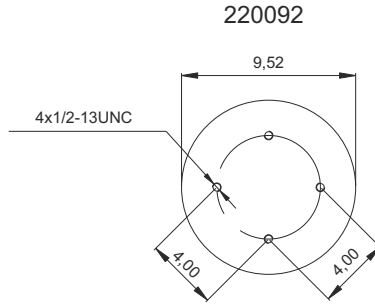
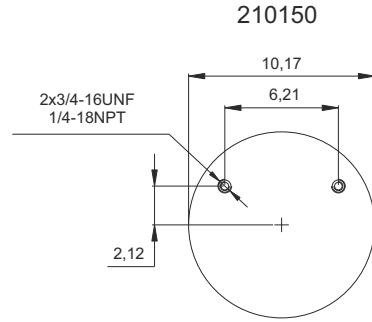
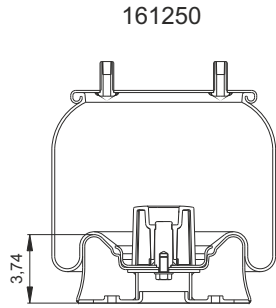
## Cross References

FS.	1T17B-11
	W01-358-8749
GY.	1R13-153
CI	10 10-21 P 486
AUTOMANN	1DK25C-8749
TAURUS	6394
TRIANGLE	8486
FLEET PRIDE	AS8749

## OEM

SAF HOLLAND (NEWAY)	90557168
WATSON / CHALIN	AS-0175

# 198753-CS



(Steel Piston)

Order No	Weight (kg)	Weight (lbs)	QIP (pcs)	Remarks
161250	9,30	20,50	40	

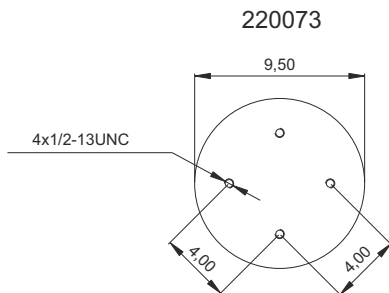
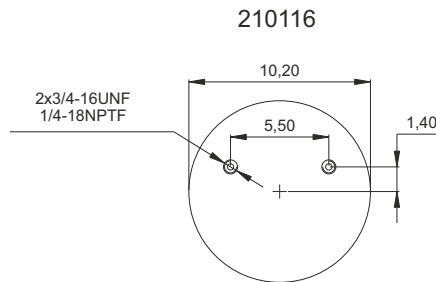
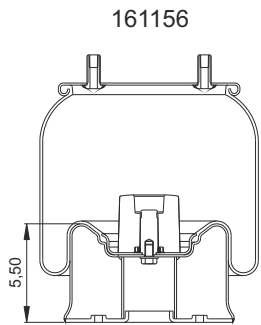
## Cross References

FS.	1T17B-5
	W01-358-8753
GY.	1R13-207
CT.	10 10-15 S 713
AUTOMANN	1DK25B-8753
TRIANGLE	8713
FLEET PRIDE	AS8753

## OEM

RIDEWELL	1003588753C
SPRING VALLEY	AS-8713
WATSON / CHALIN	AS-0098

# 198755-CS



(Steel Piston)

Order No	Weight (kg)	Weight (lbs)	QIP (pcs)	Remarks
161156	11,00	24,25	25	

## Cross References

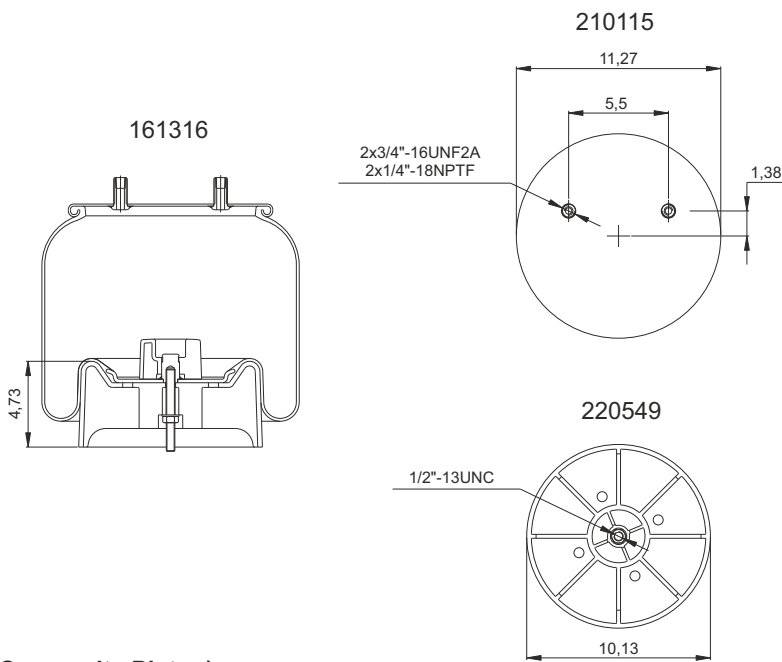
FS.	1T17B-5
	W01-358-8755
GY.	1R13-124
CT.	10 10-15 S 522
AT.	38755 KPP
AUTOMANN	1DK25B-8755
TAURUS	6390
TRIANGLE	8522
FLEET PRIDE	AS8755

## OEM

HENDRICKSON	S22045
	S21623



# 198774-CP



(Composite Piston)

## Cross References

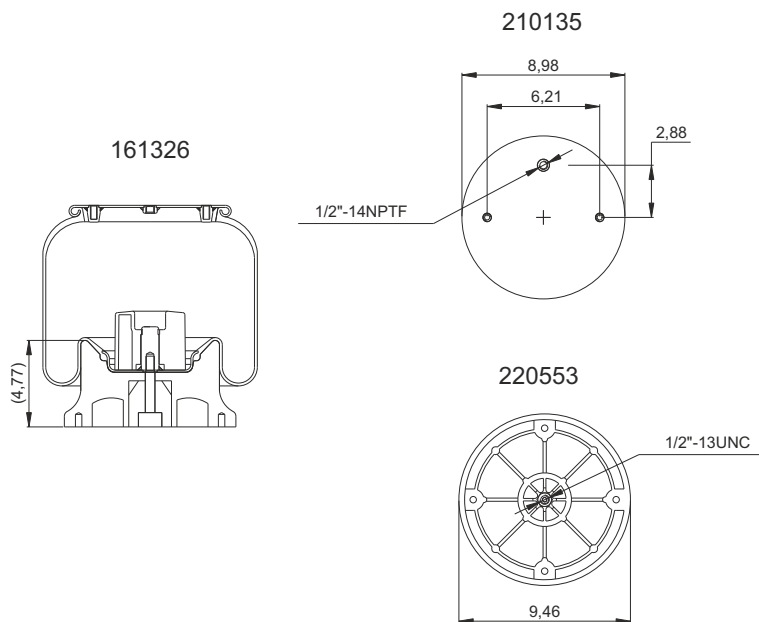
FS.	W01-358-8774
	1R14-172
GY.	1R14-190
CT.	11 10.5F-17 P 745
AUTOMANN	1DK28M-8774
TRIANGLE	8745
FLEET PRIDE	AS8774

## OEM

HENDRICKSON	S25873
	S27341
WATSON / CHALIN	AS-0159G
	AS-0144

Order No	Weight (kg)	Weight (lbs)	QIP (pcs)	Remarks
161316	7,71	17,00	35	

# 198813-CP



(Composite Piston)

## Cross References

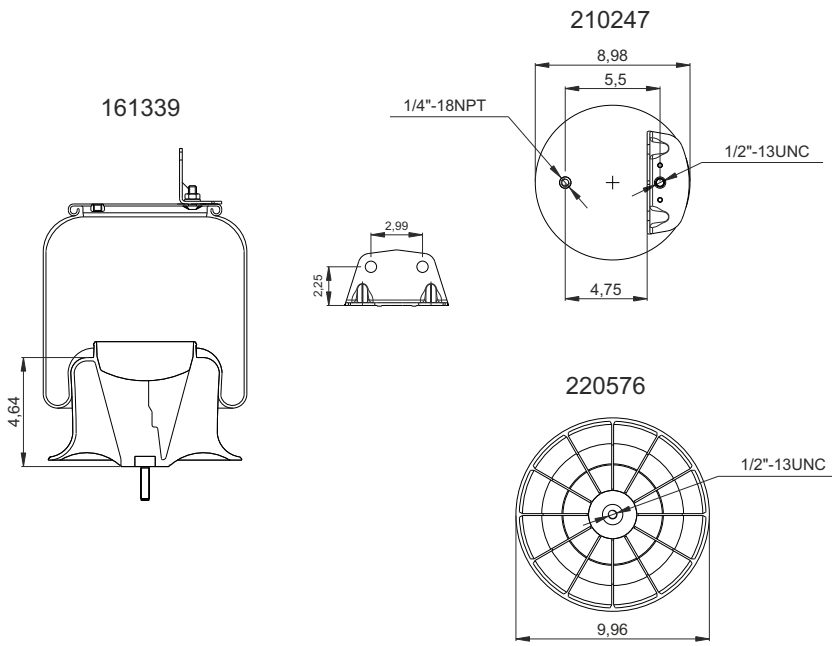
FS.	W01-358-8813
CT.	9 10-14 P 577
AUTOMANN	1DK231-8813
TRIANGLE	8577
FLEET PRIDE	AS8813

## OEM

KENWORTH	C81-1003
PETERBILT	C81-6000

Order No	Weight (kg)	Weight (lbs)	QIP (pcs)	Remarks
161326	6,00	13,22	35	

# 198829-CP



(Composite Piston)

Order No	Weight (kg)	Weight (lbs)	QIP (pcs)	Remarks
161339	6,00	13,22	35	

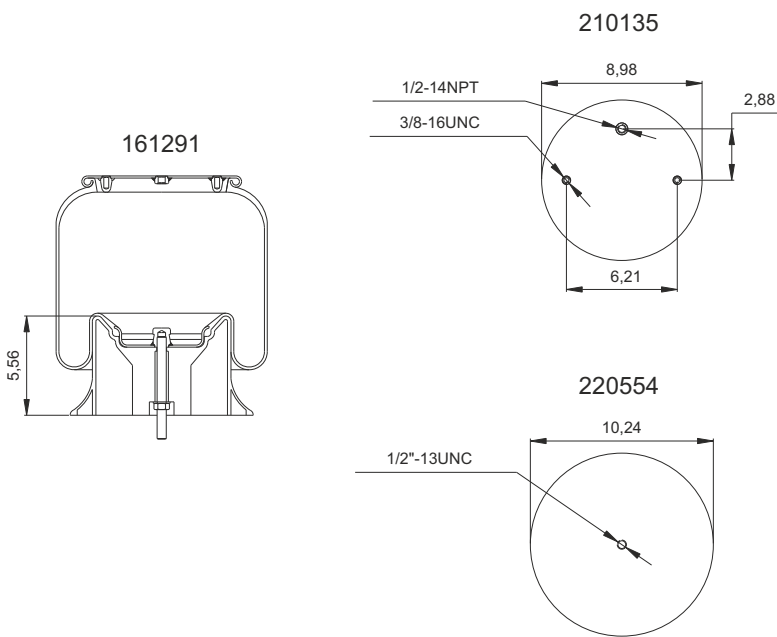
## Cross References

FS.	1T15M-6 W01-358-8829
GY.	1R12-615 1R12-405
CT.	9 10-16 P 449
AT.	38829 KPP
AUTOMANN	1DK23K-8829
TRIANGLE	8449
FLEET PRIDE	AS8829

## OEM

LOADGUARD	SC2757
MACK	57QL54M
FLEETRITE	FLT1R12615
VOLVO	3934699
	8079902
	8084296
	8097092
	20505399
	20733034

# 198852-CP



(Composite Piston)

Order No	Weight (kg)	Weight (lbs)	QIP (pcs)	Remarks
161291	5,90	13,01	36	

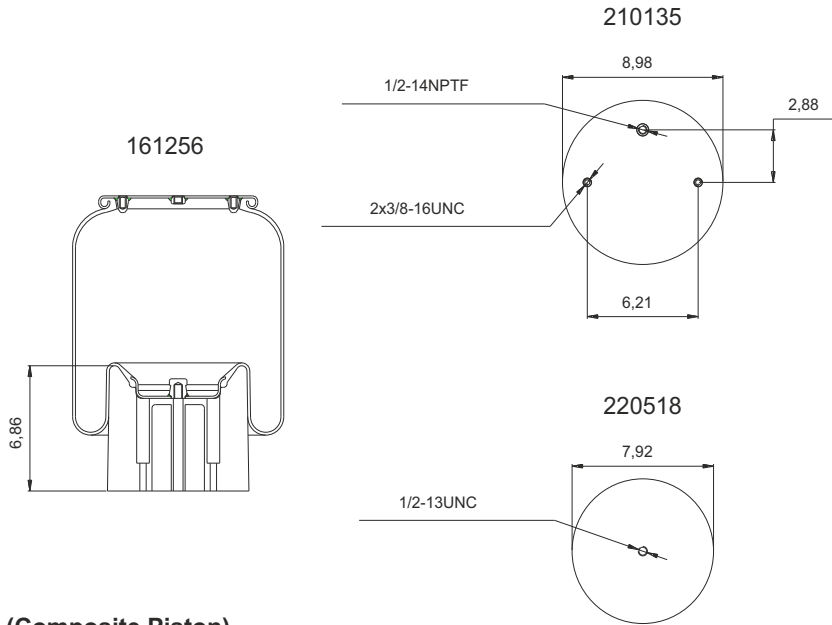
## Cross References

FS.	1T15M-9 W01-358-8852
GY.	1R12-568
CT.	9 10-19 P 472
AT.	38852 KPP
AUTOMANN	1DK23L-8852
TAURUS	6364
TRIANGLE	8472
FLEET PRIDE	AS8852

## OEM

FLEETRITE	FLT1R12568
PETERBILT	03-07887

# 198864-CP



(Composite Piston)

## Cross References

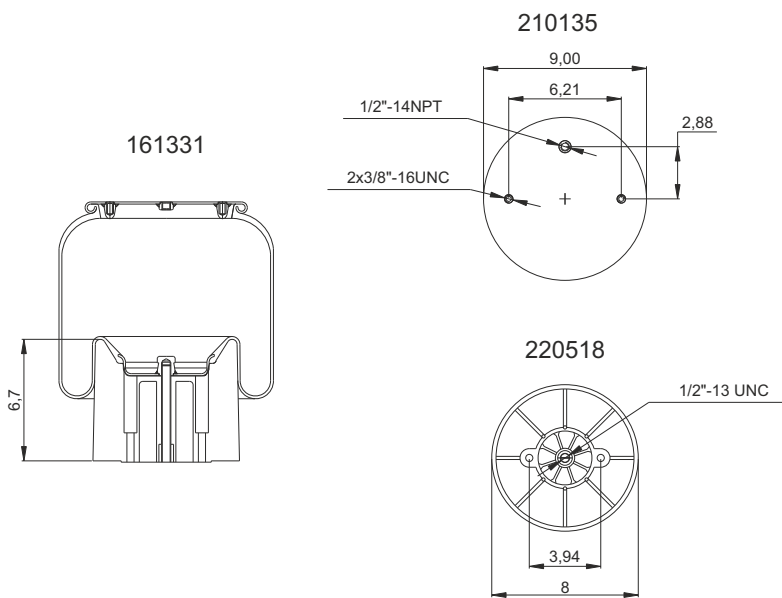
FS.	1T15M-9 W01-358-8864
CI	9 10-19 P 898
AUTOMANN	1DK23L-8864
TRIANGLE	8898
FLEET PRIDE	AS8864

## OEM

PETERBILT 03-08716

Order No	Weight (kg)	Weight (lbs)	QIP (pcs)	Remarks
161256	8,50	18,74	36	

# 198865-CP



(Composite Piston)

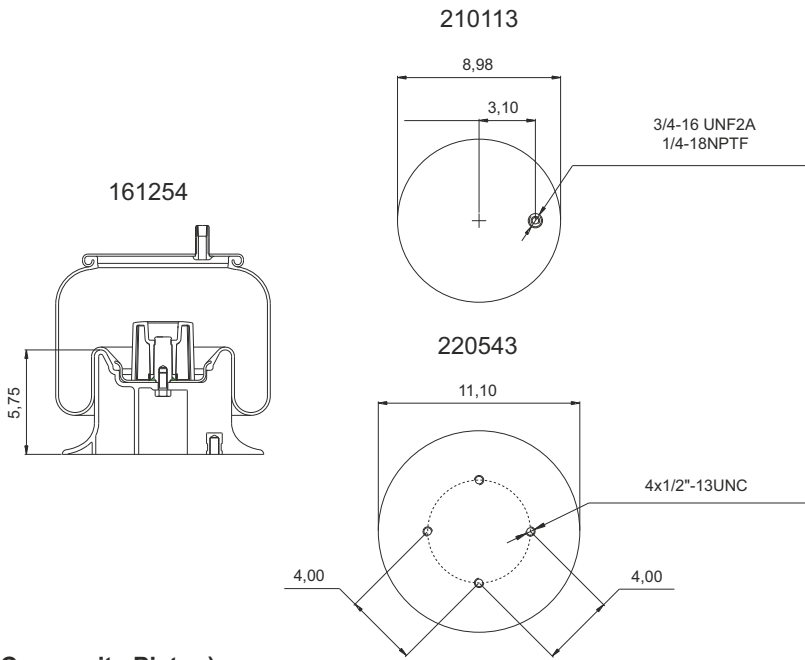
## Cross References

FS.	1T15M-9 W01-358-8865
-----	-------------------------

## OEM

Order No	Weight (kg)	Weight (lbs)	QIP (pcs)	Remarks
161331	5,82	12,83	35	

# 198944-CP



(Composite Piston)

Order No	Weight (kg)	Weight (lbs)	QIP (pcs)	Remarks
161254	9,00	19,84	44	

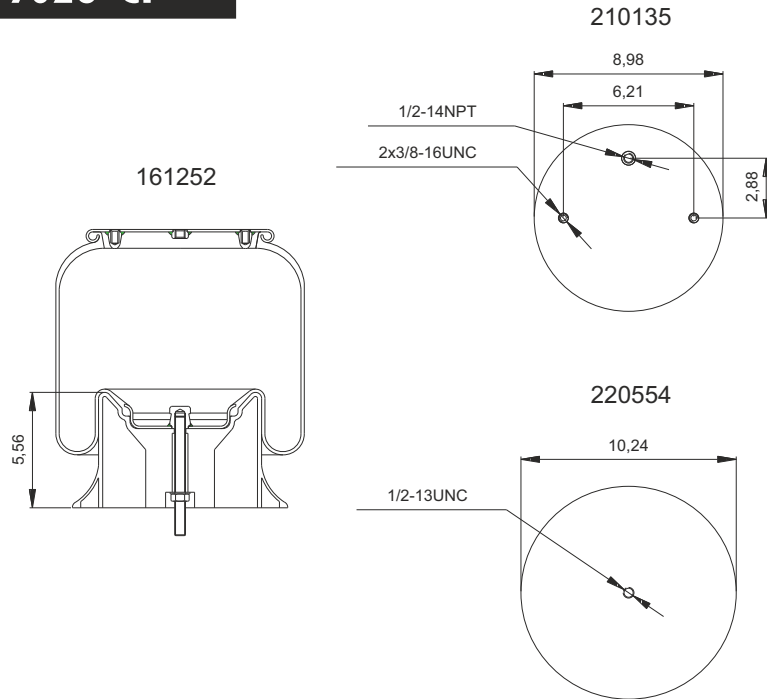
## Cross References

FS.	1T15MLW-7 W01-358-8944 W01-358-9015
GY.	1R12-366 1R12-271
CT.	9 10-17.5 P 436
AUTOMANN	1DK23P-8944
TAURUS	6391
TRIANGLE	8436
FLEET PRIDE	AS8944

## OEM

HENDRICKSON	S20217
LOADGUARD	SC2756

# 199026-CP



(Composite Piston)

Order No	Weight (kg)	Weight (lbs)	QIP (pcs)	Remarks
161252	6,80	14,99	36	

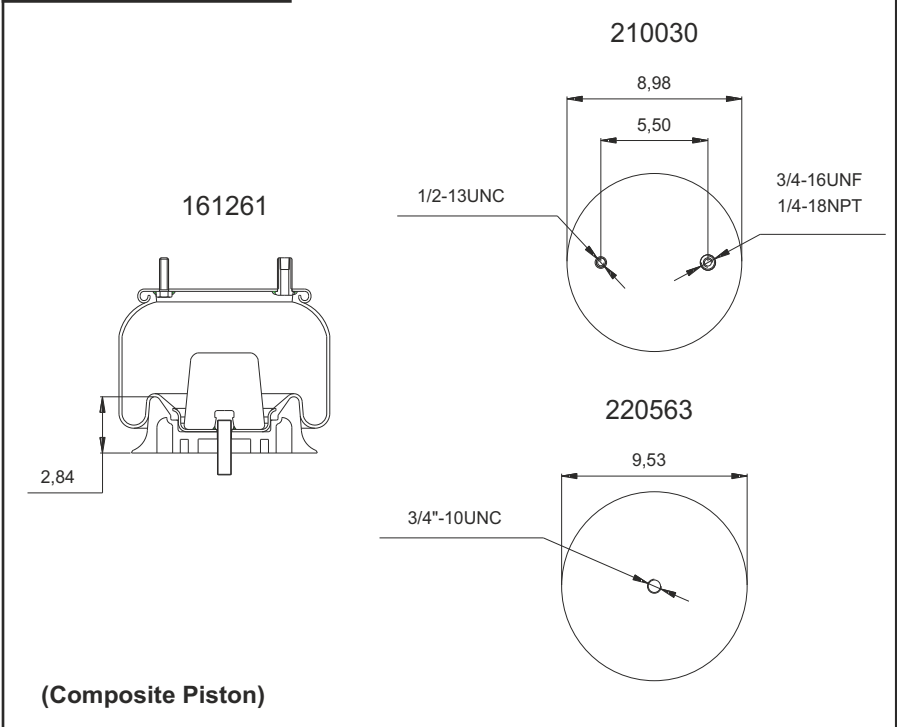
## Cross References

FS.	1T15M-6 W01-358-9026
GY.	1R12-567 1R12-907
CT.	9 10-16 P 393
AT.	39026 KPP
AUTOMANN	1DK23K-9026
TAURUS	6363
TRIANGLE	8393
FLEET PRIDE	AS9026

## OEM

PETERBILT	03-06213 03-07111
-----------	----------------------

# 199039-CP



(Composite Piston)

## Cross References

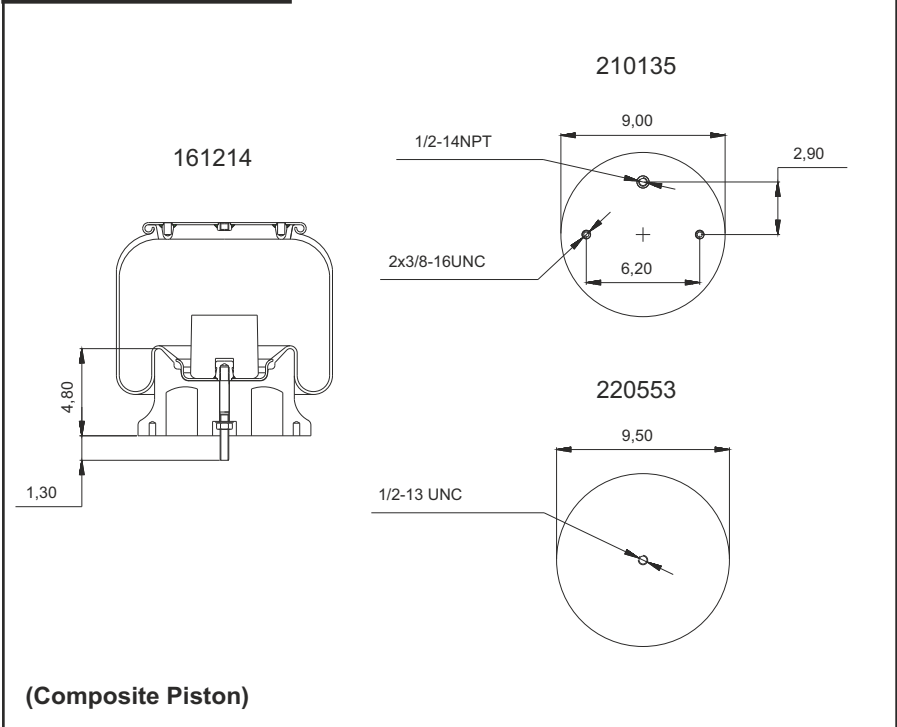
FS.	1T15M-0
	W01-358-9039
GY.	1R12-095
	1R12-097
CI.	9 10-10 P 311
AT.	39039 KPP
AUTOMANN	1DK23F-9039
TAURUS	6360
TRIANGLE	8311
FLEET PRIDE	AS9039

## OEM

ARVIN MERITOR (R.O.R.)	21216135
DAYTON	352-9039
HENDRICKSON	S2064
	S11650
HUTCHENS	H-9424-01
LOADGUARD	9424-03
NAVISTAR	554766C1
RIDEWELL	1013589039C
SAF HOLLAND (NEWAY)	90557001
	90557023
	90557085
	90557011
	90044199
VOLVO	85101153
WATSON / CHALIN	AS-0012

Order No	Weight (kg)	Weight (lbs)	QIP (pcs)	Remarks
161261	4,90	10,80	60	

# 199069-CP



(Composite Piston)

## Cross References

FS.	1T15M-4
	W01-358-9069
GY.	1R12-069
	1R12-669
CI.	9 10-14 P 312
AT.	39069 KPP
AUTOMANN	1DK23I-9069
TAURUS	6362
TRIANGLE	8312
FLEET PRIDE	AS9069

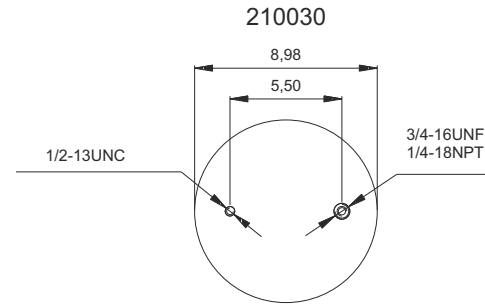
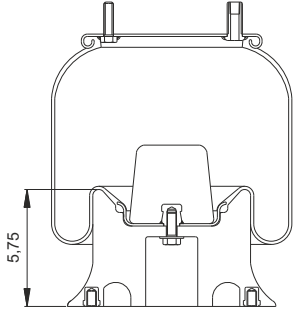
## OEM

DAYTON	352-9069
HENDRICKSON	S13031
LOADGUARD	SC2034
NAVISTAR	554764C1
FLEETRITR	FLT1R12069
PETERBILT	03-02456
	03-04759
	03-01649
	03-06746
	03-07112
	03-02038
	03-10042
VOLVO	85101145
WATSON / CHALIN	AS-0077

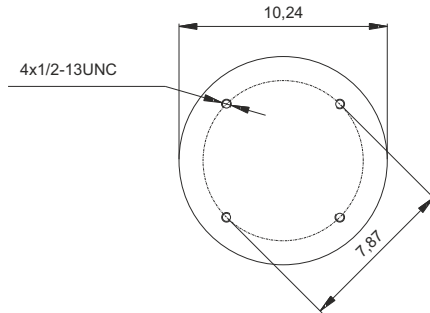
Order No	Weight (kg)	Weight (lbs)	QIP (pcs)	Remarks
161214	6,50	14,33	50	

# 199082-CP

161144



220514



(Composite Piston)

Order No	Weight (kg)	Weight (lbs)	QIP (pcs)	Remarks
161144	10,00	22,05	40	

## Cross References

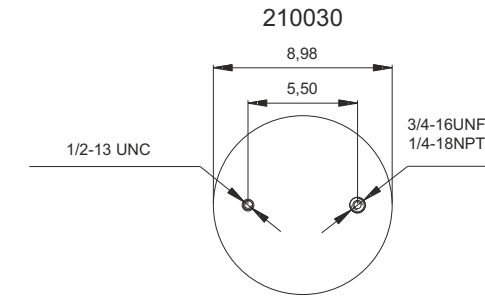
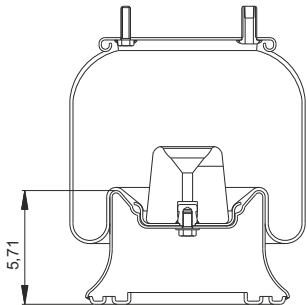
FS.	1T15M-6
	W01-358-9082
GY.	1R12-092
	1R12-509
CT.	9 10-16 P 310
AT.	39082 KPP
AUTOMANN	1DK23K-9082
TAURUS	6363
TRIANGLE	8310
FLEET PRIDE	AS9082

## OEM

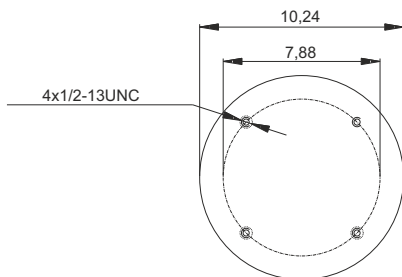
DAYTON	352-9082
HENDRICKSON	S2066
	S4041
	S11651
	S13159
	B12514-007
HUTCHENS	H-9630-01
LOADGUARD	SC2035
	SC2762
NAVISTAR	517559C9
FLEETRITE	FLT1R12092
REYCO	12882-01
RIDEWELL	1003589082C
SAF HOLLAND (NEWAY)	90557006
	90557027
	90557033
	90557037
	90557054
	90557075
	90044200
	90044647
SPRING VALLEY	AS-8310
WATSON / CHALIN	AS-0011

# 199082-CS

161145



220037



(Steel Piston)

Order No	Weight (kg)	Weight (lbs)	QIP (pcs)	Remarks
161145	10,00	22,05	40	

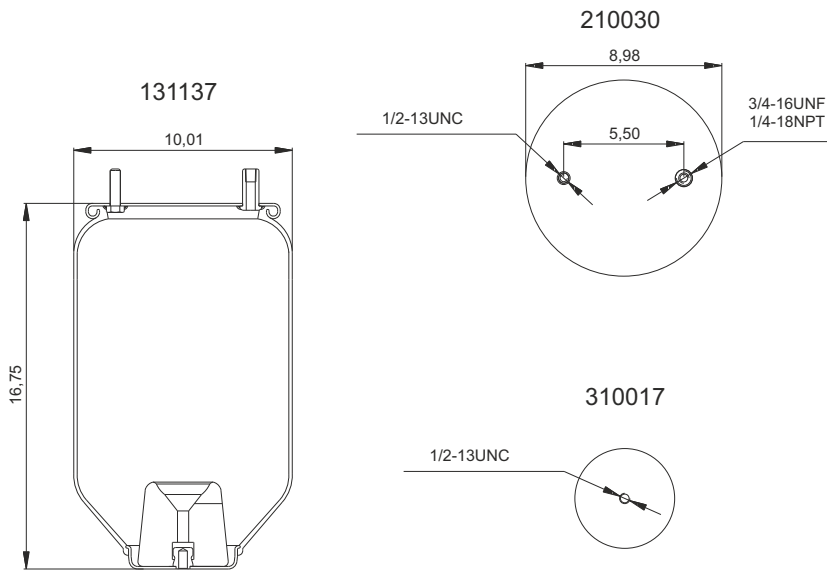
## Cross References

FS.	1T15M-6
	W01-358-9082
GY.	1R12-092
	1R12-509
CT.	9 10-16 P 310
AUTOMANN	1DK23K-9082
TAURUS	6363
TRIANGLE	8310
FLEET PRIDE	AS9082

## OEM

DAYTON	352-9082
HENDRICKSON	S2066
	S4041
	S11651
	S13159
	B12514-007
HUTCHENS	H-9630-01
LOADGUARD	Sc2035
	Sc2762
NAVISTAR	517559C9
FLEETRITE	FLT1R12092
REYCO	12882-01
RIDEWELL	1003589082C
SAF HOLLAND (NEWAY)	90557006
	90557027
	90557033
	90557037
	90557054
	90557075
	90044200
	90044647
SPRING VALLEY	AS-8310
WATSON / CHALIN	AS-0011

# 199082-WP



(Without Piston)

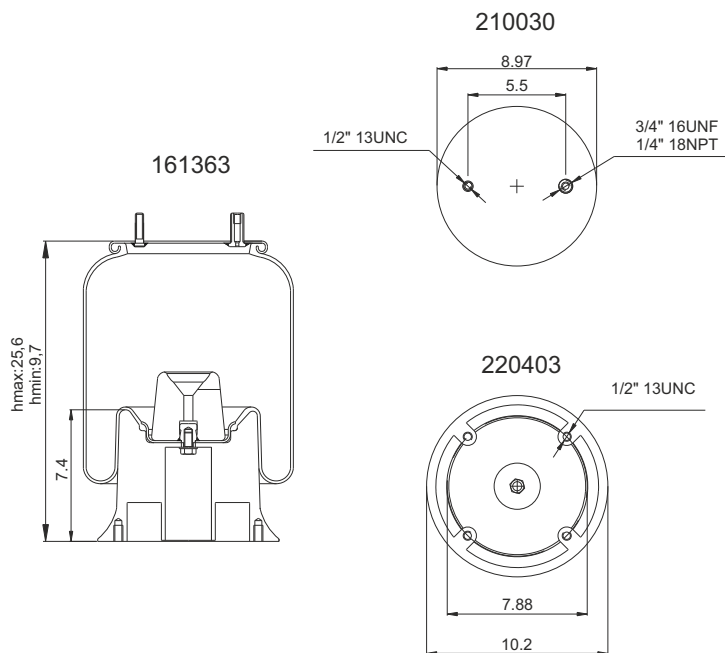
## Cross References

FS. IT15M-6

## OEM

Order No	Weight (kg)	Weight (lbs)	QIP (pcs)	Remarks
131137	4,65	10,25	40	

# 199101-CALU



(Aluminum Piston)

## Cross References

FS. IT15M-9  
W01-358-9101  
GY. 1R12-103  
CI. 9 10-19 P 315  
AUTOMANN 1DK23L-9101  
TAURUS 6364  
TRIANGLE 8315  
FLEET PRIDE AS9101

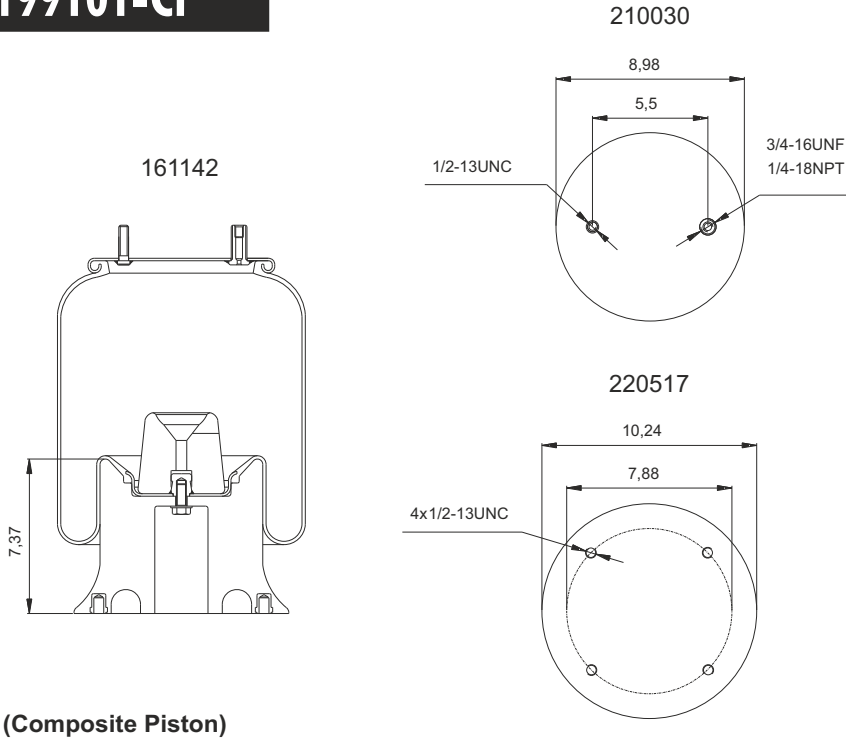
## OEM

DAYTON 352-9101  
LOADGUARD SC2038  
NAVISTAR 554768C1  
REYCO 12883-01  
RIDEWELL S-5828-C  
S-740-C  
1003589101C  
SAF HOLLAND (NEWAY) 90557082  
SPRING VALLEY AB1000AL  
AS-8315  
TAURUS AS504-9101  
VOLVO 85101149  
WATSON / CHALIN AS-0040

Order No	Weight (kg)	Weight (lbs)	QIP (pcs)	Remarks
161363	9,62	21,21	40	



# 199101-CP



(Composite Piston)

Order No	Weight (kg)	Weight (lbs)	QIP (pcs)	Remarks
161142	9,00	19,84	40	

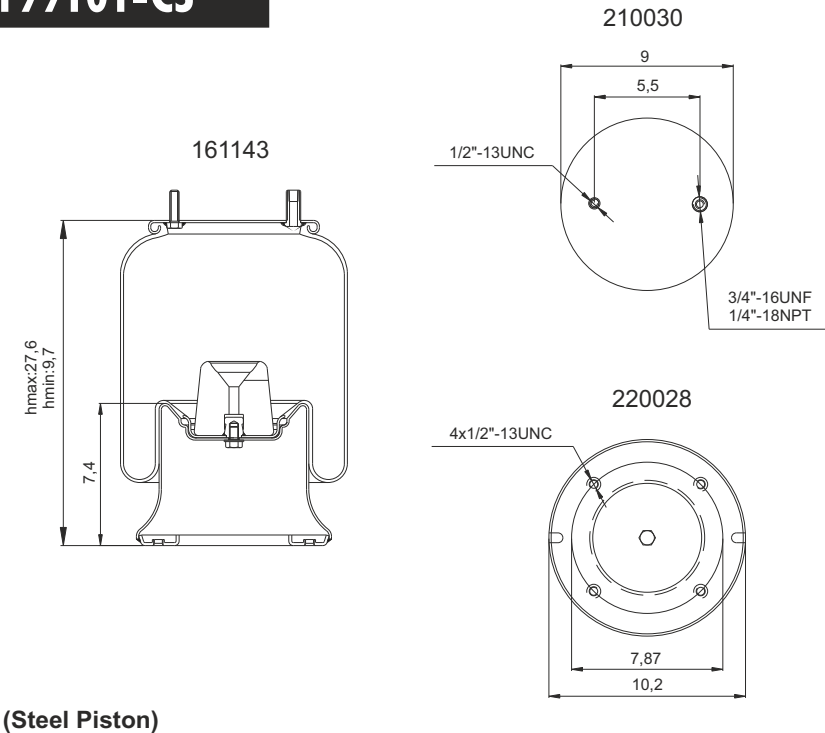
## Cross References

FS.	1T15M-9
	W01-358-9101
GY.	1R12-103
AT.	39101 KPP
AUTOMANN	1DK23L-9101
TAURUS	6364
TRIANGLE	8315
FLEET PRIDE	AS9101

## OEM

DAYTON	352-9101
LOADGUARD	SC2038
NAVISTAR	554768C1
REYCO	12883-01
RIDEWELL	S-5828-C
	S-740-C
	1003589101C
SAF HOLLAND (NEWAY)	90557082
	90557008
	90557009
	90557043
SPRING VALLEY	AB-1000AL
	AS-8315
VOLVO	85101149
WATSON / CHALIN	AS-0040
	AS-00401F

# 199101-CS



(Steel Piston)

Order No	Weight (kg)	Weight (lbs)	QIP (pcs)	Remarks
161143	11,00	24,25	40	

## Cross References

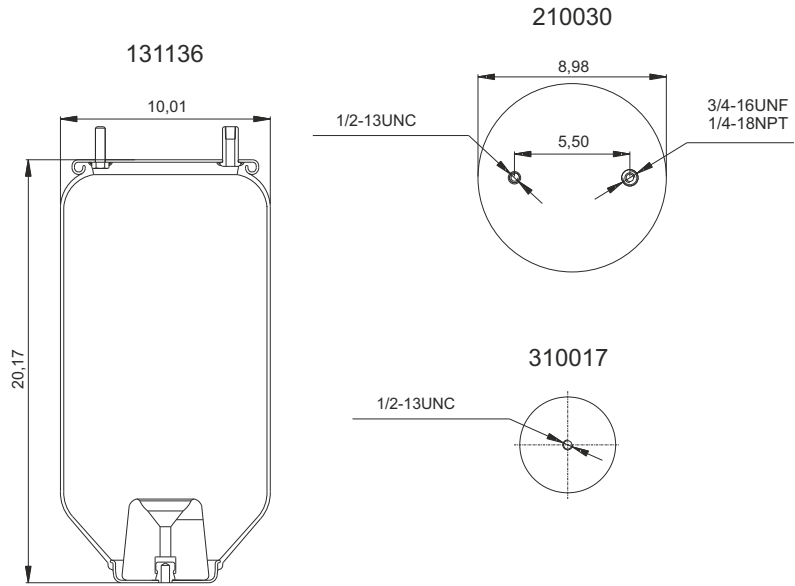
FS.	1T15M-9
	W01-358-9101
GY.	1R12-103
CT.	9 10-19 P 315
AUTOMANN	1DK23L-9101
TAURUS	6364
TRIANGLE	8315
FLEET PRIDE	AS9101

## OEM

DAYTON	352-9101
LOADGUARD	SC2038
NAVISTAR	554768C1
REYCO	12883-01
RIDEWELL	S-5828-C
	S-740-C
	1003589101C
SAF HOLLAND (NEWAY)	90557082
	90557008
	90557009
	90557043
SPRING VALLEY	AB-1000AL
	AS-8315
VOLVO	85101149
WATSON / CHALIN	AS-0040
	AS-00401F



# 199101-WP



(Without Piston)

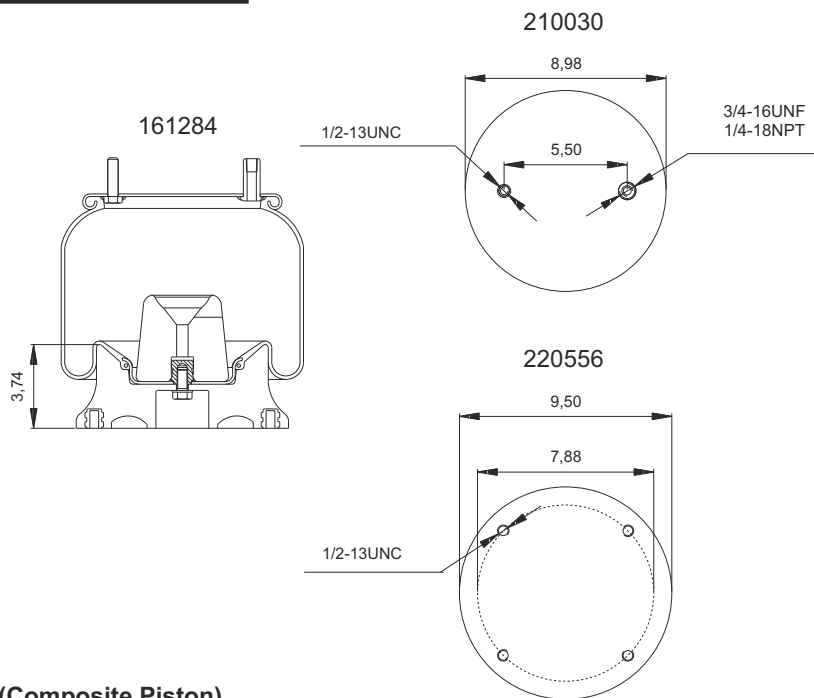
## Cross References

FS. IT15M-9

## OEM

Order No	Weight (kg)	Weight (lbs)	QIP (pcs)	Remarks
131136	5,50	12,13	40	

# 199105-CP



(Composite Piston)

## Cross References

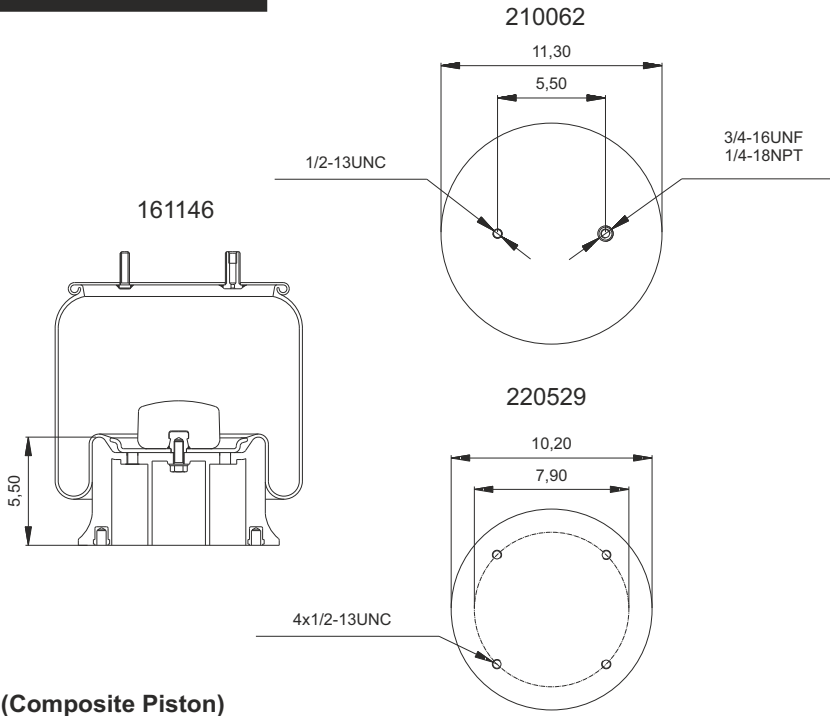
FS. IT15M-2  
W01-358-9105  
GY. 1R12-132  
CI. 9 10-12 P 319  
AT. 39105 KPP  
AUTOMANN 1DK23H-9105  
TAURUS 6361  
TRIANGLE 8319  
FLEET PRIDE AS9105

## OEM

DAYTON 352-9105  
HENDRICKSON S1245  
36514-3  
LOADGUARD 554770C1  
NAVISTAR 1003589105C  
RIDEWELL 57009105  
SAF HOLLAND (NEWAY) 90557210  
SPRING VALLEY AS-8319  
WATSON / CHALIN AS-0015

Order No	Weight (kg)	Weight (lbs)	QIP (pcs)	Remarks
161284	5,90	13,01	50	

# 199121-CP



(Composite Piston)

Order No	Weight (kg)	Weight (lbs)	QIP (pcs)	Remarks
161146	8,36	18,43	33	

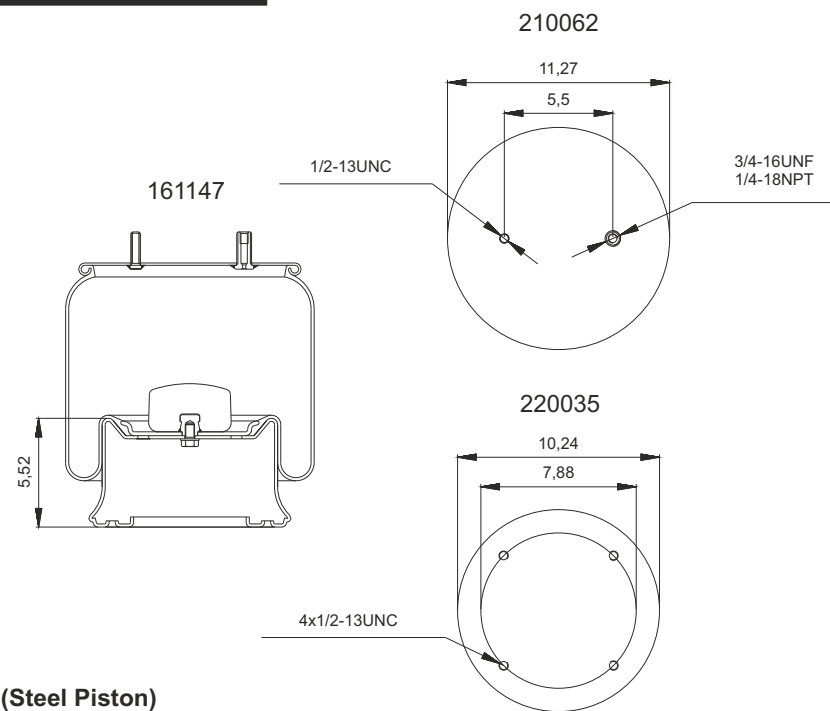
## Cross References

FS.	1T19F-7
	1T19L-7
	W01-358-9121
GY.	1R13-039
	1R13-043
	1R13-049
	11 10.5-17 A 317
CT.	1D28G-9121
AUTOMANN	6365
TAURUS	8317
TRIANGLE	AS9121
FLEET PRIDE	

## OEM

DAYTON	352-9121
HENDRICKSON	S13160
LOADGUARD	SC2040
NAVISTAR	554773C1
REYCO	12882-02
RIDEWELL	100358912C
SAF HOLLAND (NEWAY)	90557019
	90557010
	90557052
	90557078
	90557083
	90557110
	90557324
	85101159
VOLVO	AS-0013
WATSON / CHALIN	AS-0083

# 199121-CS



(Steel Piston)

Order No	Weight (kg)	Weight (lbs)	QIP (pcs)	Remarks
161147	10,00	22,05	33	

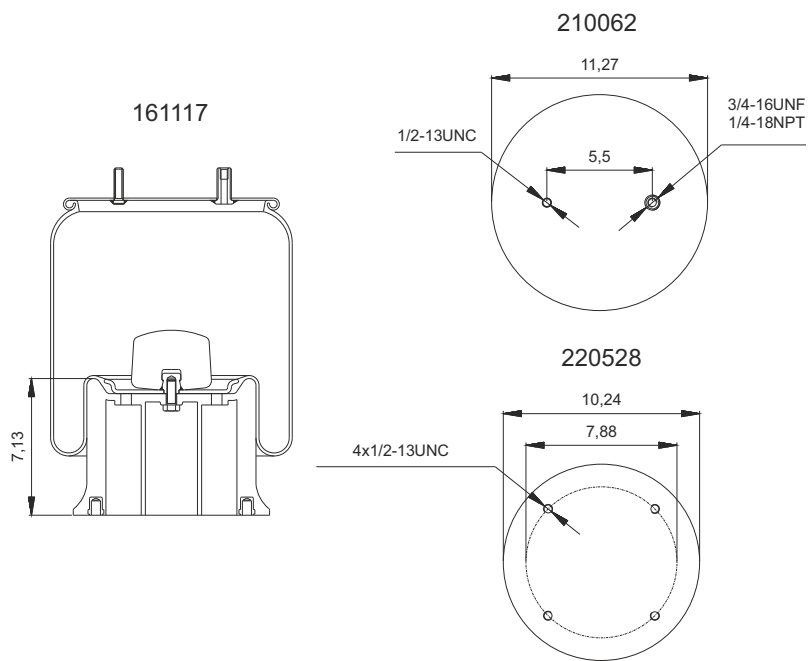
## Cross References

FS.	1T19F-7
	1T19L-7
	W01-358-9121
GY.	1R13-039
	1R13-043
	1R13-049
	11 10.5-17 A 317
CT.	39121 K
AUTOMANN	1D28G-9121
TAURUS	6365
TRIANGLE	8317
FLEET PRIDE	AS9121

## OEM

DAYTON	352-9121
HENDRICKSON	S13160
LOADGUARD	SC2040
NAVISTAR	554773C1
REYCO	12882-02
RIDEWELL	100358912C
SAF HOLLAND (NEWAY)	90557019
	90557010
	90557052
	90557078
	90557083
	90557110
	90557324
	85101159
VOLVO	AS-0013
WATSON / CHALIN	AS-0083

# 199122-CP



(Composite Piston)

Order No	Weight (kg)	Weight (lbs)	QIP (pcs)	Remarks
161117	9,00	19,84	30	

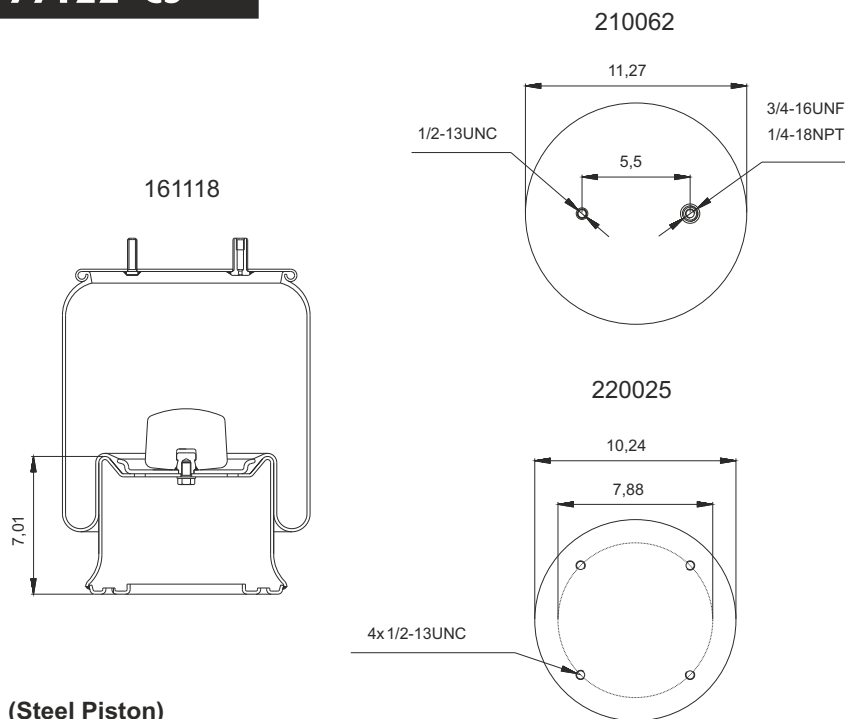
## Cross References

FS.	1T19F-11
	1T19L-11
	W01-358-9122
GY.	W01-358-8792
	1R14-045
	1R14-038
	1R14-048
CT.	11 10.5-21 A 313
	1D28C-9122
AUTOMANN	6366
TAURUS	8313
TRIANGLE	AS9122
FLEET PRIDE	

## OEM

DAYTON	352-9122
HENDRICKSON	S3467
	S3830
	36514-2
	36514-8
	S12514-010
	S12514-008
	S12437
LOADGUARD	SC2098
NAVISTAR	1681748C1
FLEETRITE	FLT1R13038
REYCO	12883-02
RIDEWELL	1003589122C
SAF HOLLAND (NEWAY)	90557071
	90557076
	90557077
	90557020
	90557185
VOLVO	85101163
WATSON / CHALIN	AS-0023

# 199122-CS



(Steel Piston)

Order No	Weight (kg)	Weight (lbs)	QIP (pcs)	Remarks
161118	11,65	25,68	30	

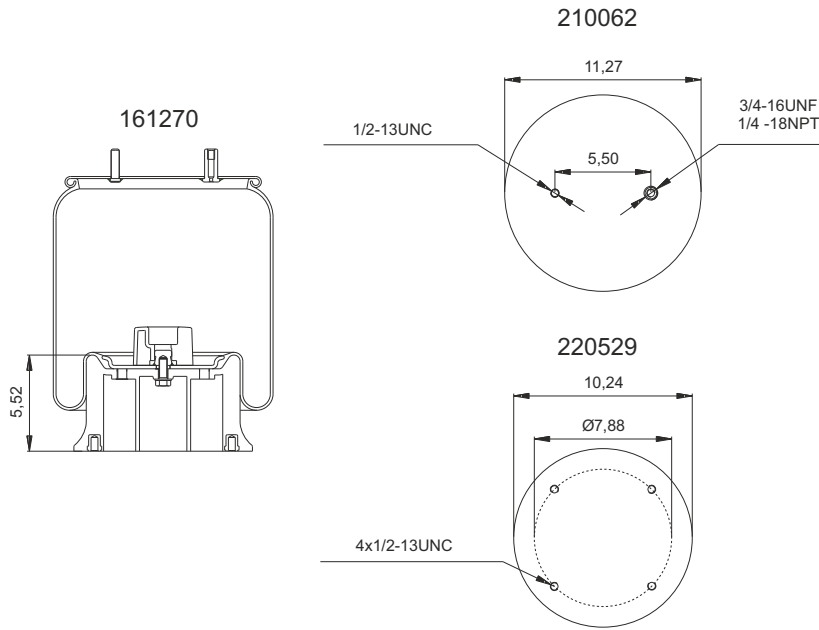
## Cross References

FS.	1T19F-11
	1T19L-11
	W01-358-9122
GY.	W01-358-8792
	1R14-045
	1R14-038
	1R14-048
CT.	11 10.5-21 A 313
	39122 K
AUTOMANN	1D28C-9122
TAURUS	6366
TRIANGLE	8313
FLEET PRIDE	AS9122

## OEM

DAYTON	352-9122
HENDRICKSON	S3467
	S3830
	36514-2
	36514-8
	S12514-010
	S12514-008
	S12437
LOADGUARD	SC2098
NAVISTAR	1681748C1
FLEETRITE	FLT1R13038
REYCO	12883-02
RIDEWELL	1003589122C
SAF HOLLAND (NEWAY)	90557071
	90557076
	90557077
	90557020
	90557185
VOLVO	85101163
WATSON / CHALIN	AS-0023

# 199134-CP



(Composite Piston)

Order No	Weight (kg)	Weight (lbs)	QIP (pcs)	Remarks
161270	9,50	20,94	25	

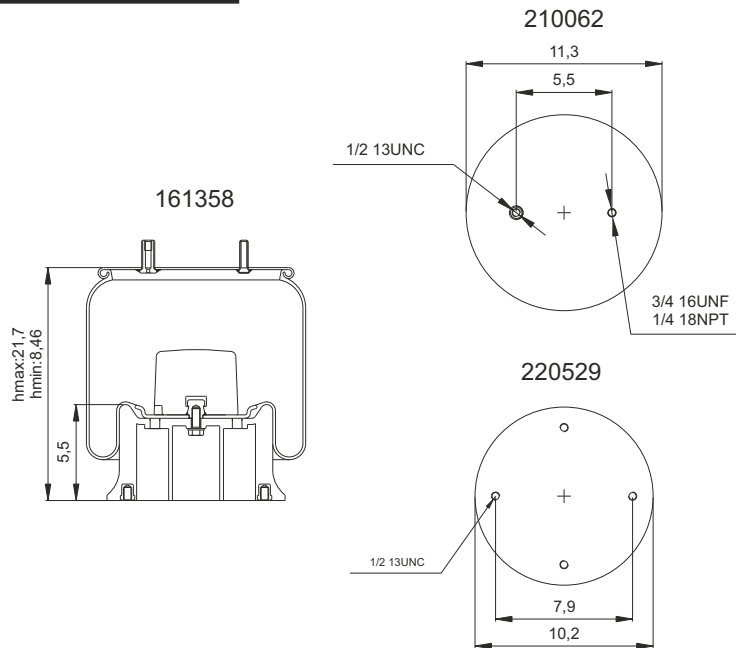
## Cross References

FS.	1T19F-9 1T19L-9 W01-358-9134
GY.	1R13-908 1R13-137
CT.	11 10.5-19 A 431 AUTOMANN 1DK28B-9134
TAURUS	6383
TRIANGLE	8431
FLEET PRIDE	AS9134

## OEM

SAF HOLLAND (NEWAY) 90557125

# 199144-CP



(Composite Piston)

Order No	Weight (kg)	Weight (lbs)	QIP (pcs)	Remarks
161358	8,94	19,71	19	

## Cross References

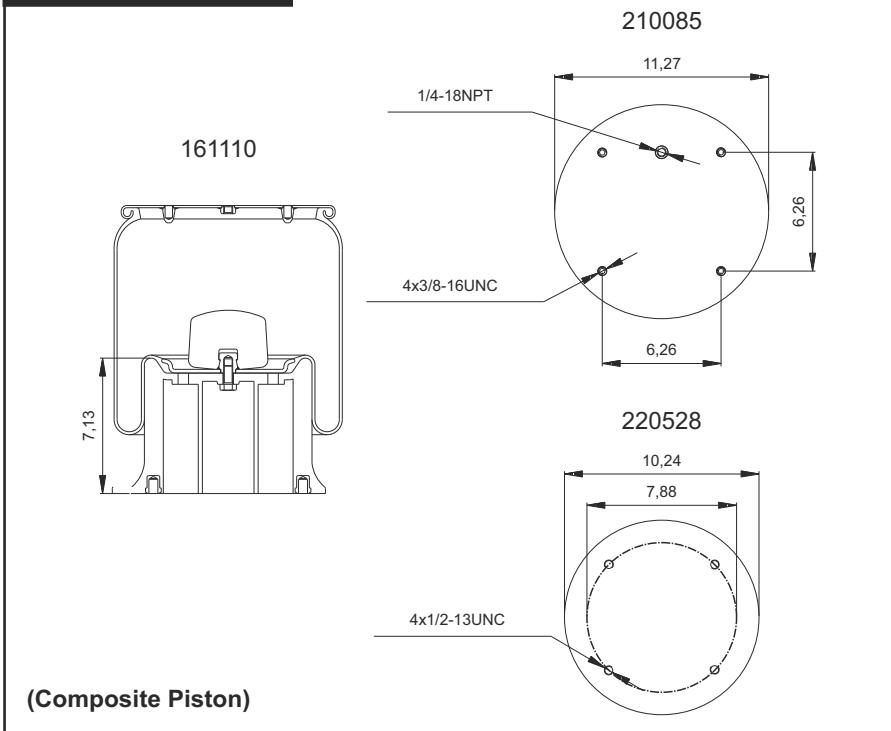
FS.	1T19L-7 W01-358-9144
GY.	1R14-160
CT.	11 10.5-17 A 377 AUTOMANN 1D28G-9144
TAURUS	6365
TRIANGLE	8377
FLEET PRIDE	AS9144

## OEM

SAF HOLLAND (NEWAY) 90557155  
90557323



# 199156-CP



## Cross References

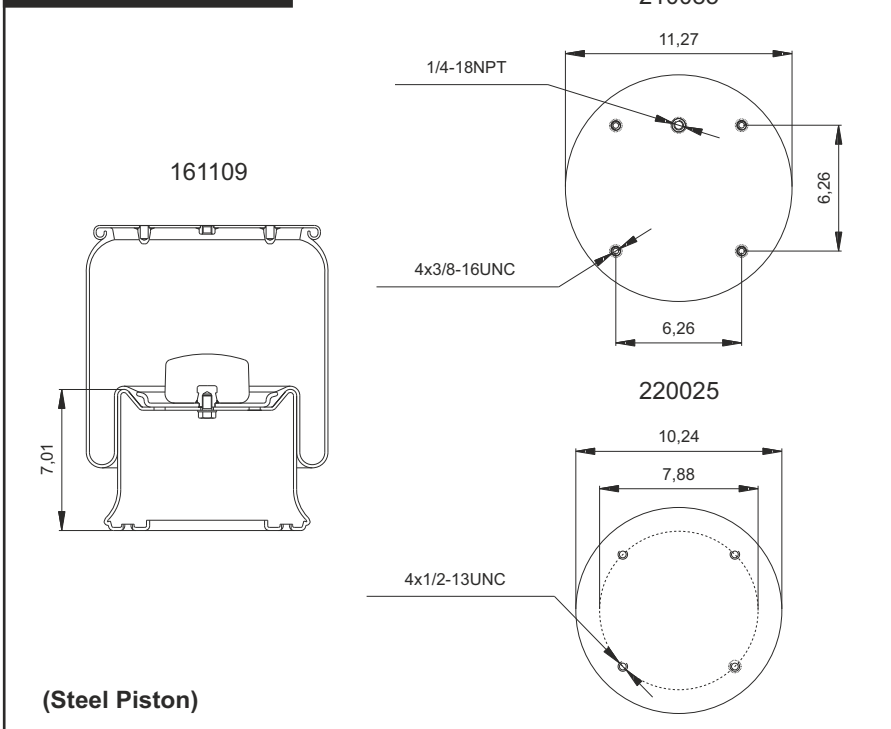
FS.	1T19F-11
	1T19L-11
	W01-358-9156
GY.	1R14-019
	1R14-025
	11 10.5-21 A 370
CT.	1D28C-9156
	TAURUS 6366
	TRIANGLE 8370
	FLEET PRIDE AS9156

## OEM

HENDRICKSON	S7128
LOADGUARD	SC2044
NAVISTAR	554777C1
	1681742C1

Order No	Weight (kg)	Weight (lbs)	QIP (pcs)	Remarks
161110	9,00	19,84	25	

# 199156-CS



## Cross References

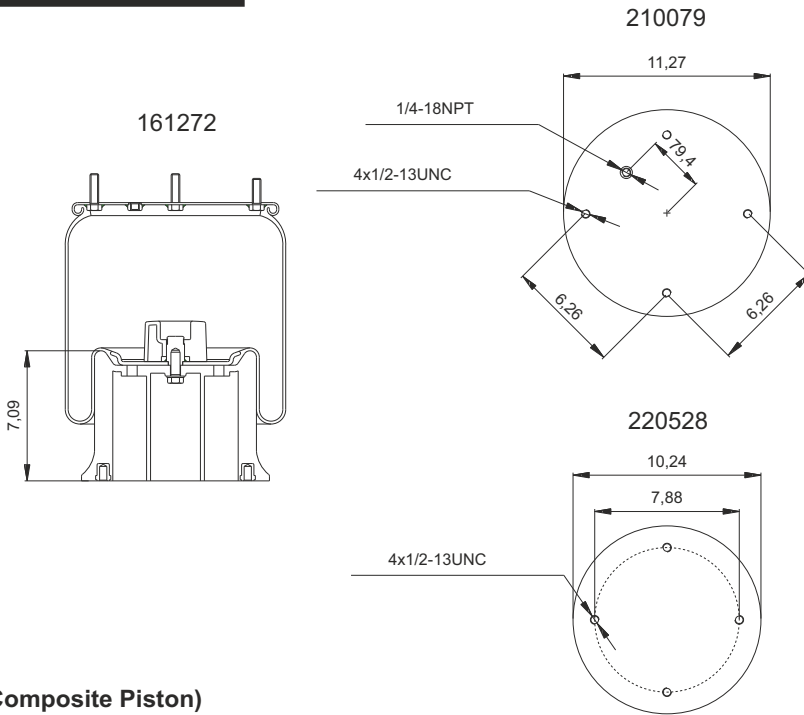
FS.	1T19F-11
	1T19L-11
	W01-358-9156
GY.	1R14-019
	1R14-025
	11 10.5-21 A 370
CT.	1D28C-9156
	TAURUS 6366
	TRIANGLE 8370
	FLEET PRIDE AS9156

## OEM

HENDRICKSON	S7128
LOADGUARD	SC2044
NAVISTAR	554777C1
	1681742C1

Order No	Weight (kg)	Weight (lbs)	QIP (pcs)	Remarks
161109	11,65	25,68	25	

# 199158-CP



(Composite Piston)

Order No	Weight (kg)	Weight (lbs)	QIP (pcs)	Remarks
161272	10,00	22,05	30	

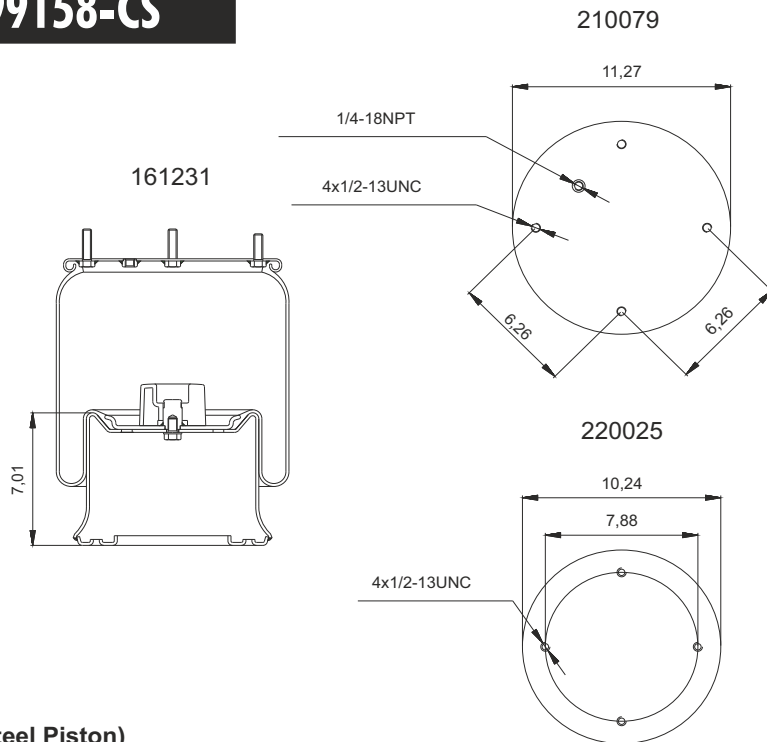
## Cross References

FS.	1T19F-11
	1T19L-11
	W01-358-9158
GY	1R14-030
	1R14-031
	1R14-054
	11 10.5-21 A 318
CT	11 10.5-21 A 318
AT	39158 KPP
AUTOMANN	1D28C-9158
TAURUS	6366
TRIANGLE	8318
FLEET PRIDE	AS9158

## OEM

DAYTON	352-9158
HENDRICKSON	S12514-004
	S12514-011
	S2063
LOADGUARD	SC2045
	SC2115
NAVISTAR	554780C1
	1681745C1
RIDEWELL	1003589158C
SAF HOLLAND (NEWAY)	90557005
	90557069
	90044197
WATSON / CHALIN	AS-0124F

# 199158-CS



(Steel Piston)

Order No	Weight (kg)	Weight (lbs)	QIP (pcs)	Remarks
161231	11,65	25,68	30	

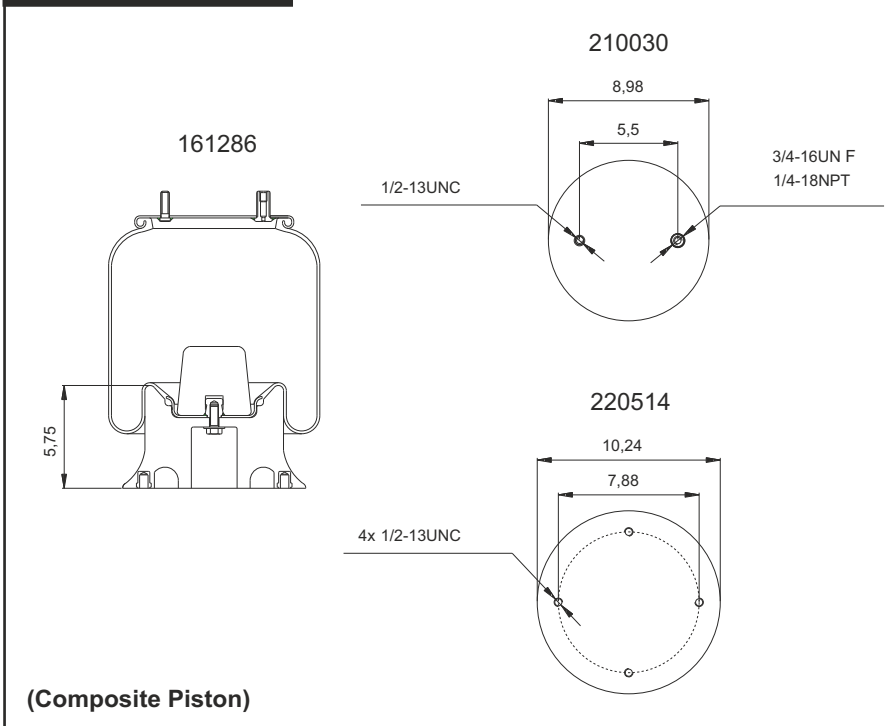
## Cross References

FS.	1T19F-11
	1T19L-11
	W01-358-9158
GY	1R14-030
	1R14-031
	1R14-054
	11 10.5-21 A 318
CT	11 10.5-21 A 318
AUTOMANN	1D28C-9158
TAURUS	6366
TRIANGLE	8318
FLEET PRIDE	AS9158

## OEM

DAYTON	352-9158
HENDRICKSON	S12514-004
	S12514-011
	S2063
LOADGUARD	SC2045
	SC2115
NAVISTAR	554780C1
	1681745C1
RIDEWELL	1003589158C
SAF HOLLAND (NEWAY)	90557005
	90557069
	90044197
WATSON / CHALIN	AS-0124F

# 199192-CP



(Composite Piston)

## Cross References

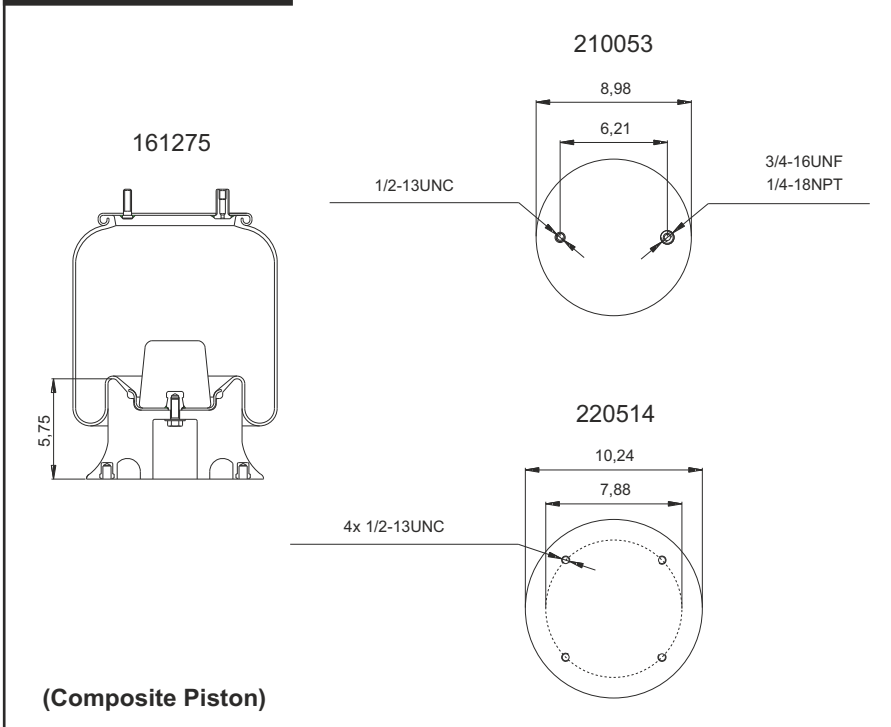
FS.	1T15M-9
	W01-358-9192
GY.	1R12-167
CT.	9 10-19 P 326
AT.	39192 KPP
AUTOMANN	1DK23L-9192
TAURUS	6364
TRIANGLE	8326
FLEET PRIDE	AS9192

## OEM

HENDRICKSON	S6195
	NA1817
LOADGUARD	SC2120
NAVISTAR	1681738C1
	1681740C1
SAF HOLLAND (NEWAY)	90557086
	90557108
	90557135
	90557136
	AS-0038
WATSON / CHALIN	AS-0046

Order No	Weight (kg)	Weight (lbs)	QIP (pcs)	Remarks
161286	7,00	15,43	40	

# 199203-CP



(Composite Piston)

## Cross References

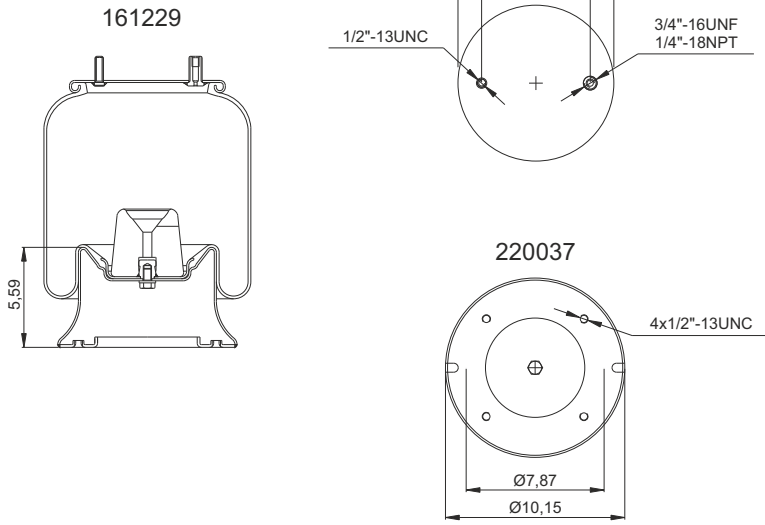
FS.	1T15M-9
	W01-358-9203
GY.	1R12-395
CT.	9 10-19 P 355
AUTOMANN	1DK23L-9203
TAURUS	6364
TRIANGLE	8355
FLEET PRIDE	AS9203

## OEM

DAYTON	352-9203
HENDRICKSON	S2694

Order No	Weight (kg)	Weight (lbs)	QIP (pcs)	Remarks
161275	7,20	15,87	40	

## 199203-CS



(Steel Piston)

Order No	Weight (kg)	Weight (lbs)	QIP (pcs)	Remarks
161229	12,00	26,46	40	

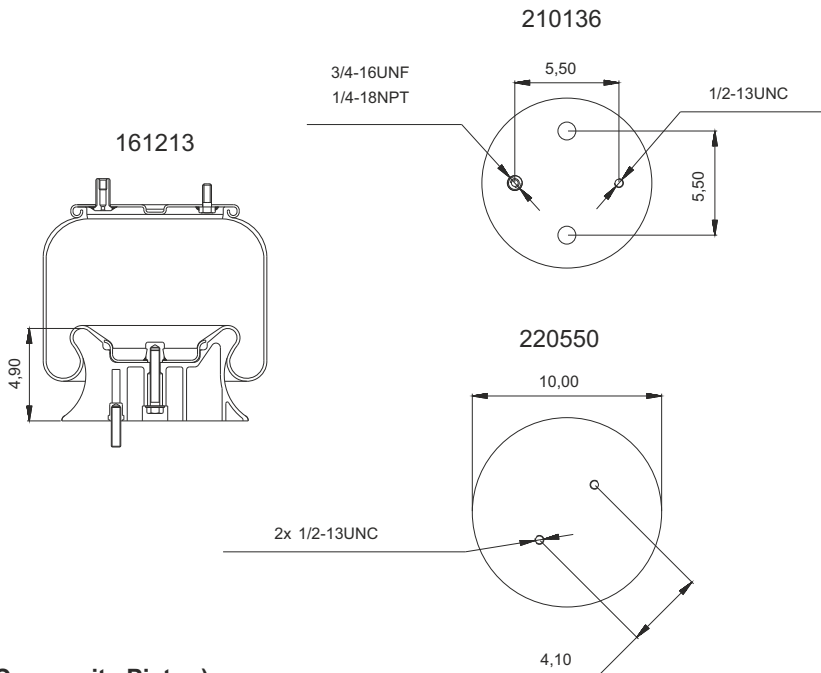
### Cross References

FS.	1T15M-9
	W01-358-9203
GY	1R12-395
CT	9 10-19 P 355
AUTOMANN	1DK23L-9203
TAURUS	6364
TRIANGLE	8355
FLEET PRIDE	AS9203

### OEM

DAYTON	352-9203
HENDRICKSON	S2694

## 199213-CP



(Composite Piston)

Order No	Weight (kg)	Weight (lbs)	QIP (pcs)	Remarks
161213	6,90	15,21	50	

### Cross References

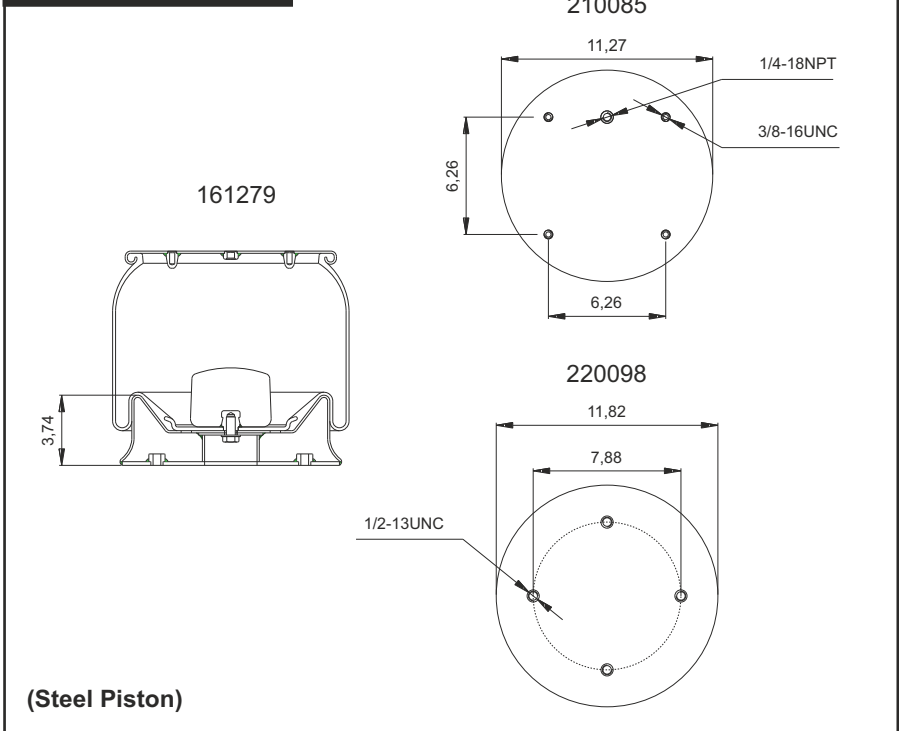
FS.	1T15M-6
	W01-358-9213
GY	1R12-090
CT	9 10-16 P 441
AT.	39213 KPP
AUTOMANN	1DK23K-9213
TAURUS	6363
TRIANGLE	8441
FLEET PRIDE	AS9213

### OEM

DAYTON	352-9213
LOADGUARD	SC2048
NAVISTAR	2027911C1
	501559C-1
	501559C-2
	1660581C-1
	1686386C1
SAF HOLLAND (NEWAY)	90557127



# 199215-CS



(Steel Piston)

## Cross References

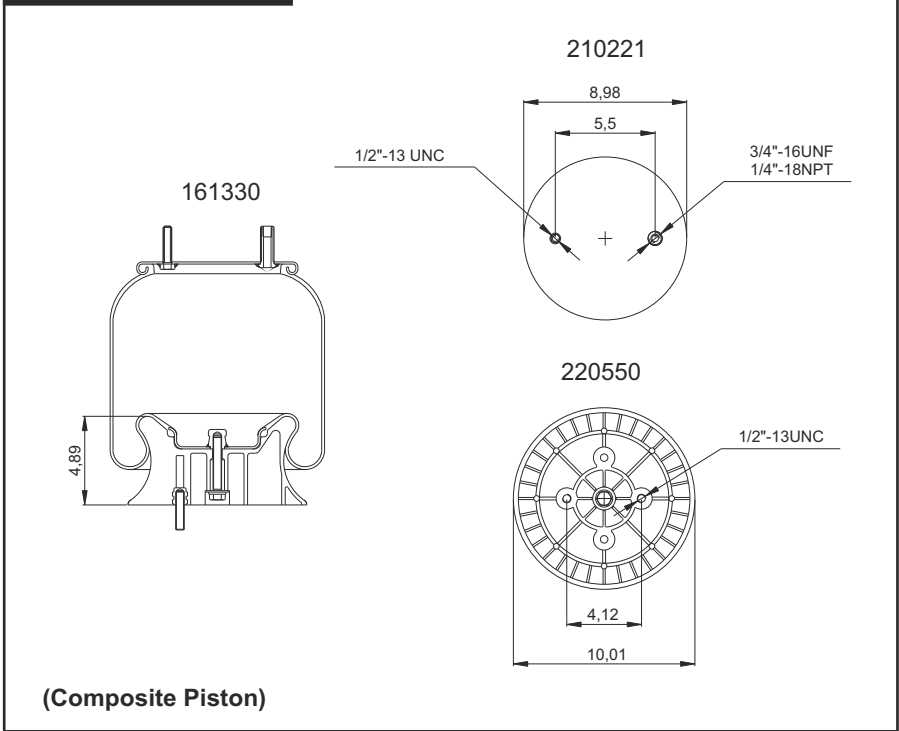
FS.	1T19F-5
	1T19L-5
	W01-358-9215
GY.	1R14-037
CI.	11 10.5-15 A 414
AUTOMANN	1DK28L-9215
TAURUS	6417
TRIANGLE	8414
FLEET PRIDE	AS9215

## OEM

DAYTON	352-9215
HENDRICKSON	S3648
LOADGUARD	SC2047
NAVISTAR	554781C1
SAF HOLLAND (NEWAY)	57009215

Order No	Weight (kg)	Weight (lbs)	QIP (pcs)	Remarks
161279	11,00	24,25	30	

# 199219-CP



(Composite Piston)

## Cross References

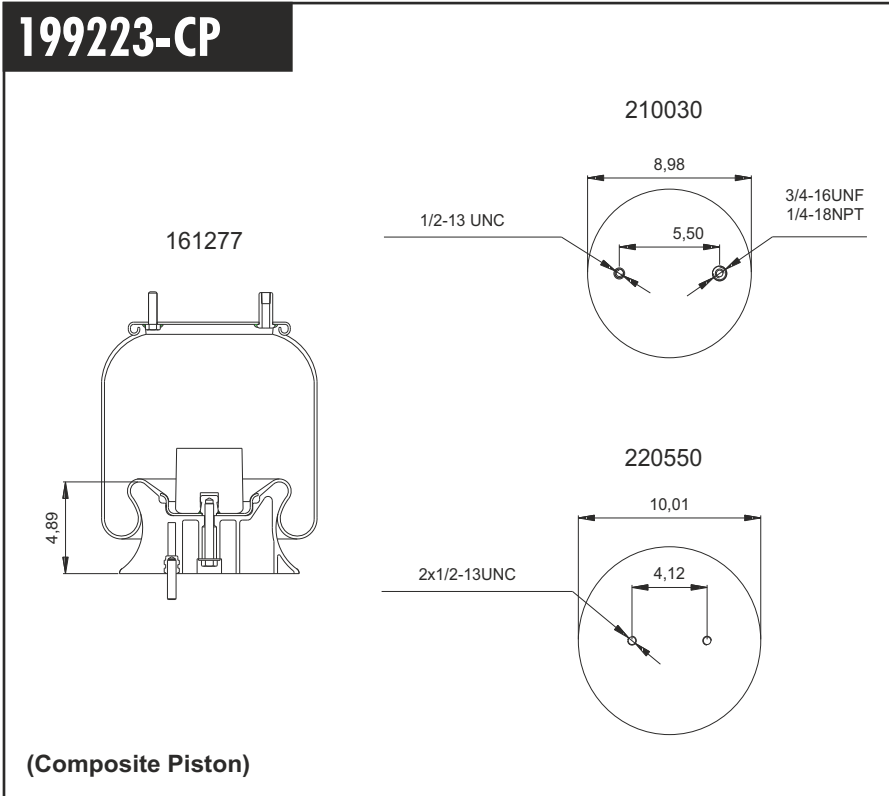
FS.	1T15M-6
	W01-358-9219
GY.	1R12-182
CI.	9 10-16 P 408
AT.	39219 KPP
AUTOMANN	1DK23K-9219
TAURUS	6363
TRIANGLE	8408
FLEET PRIDE	AS9219

## OEM

LOADGUARD	SC2070
NAVISTAR	1681739C1
	1672401C1
SAF HOLLAND (NEWAY)	57009219
VOLVO	35003-3201
	35003-3203
	35003-3204
	35003-3209

Order No	Weight (kg)	Weight (lbs)	QIP (pcs)	Remarks
161330	6,90	15,21	35	

# 199223-CP



(Composite Piston)

Order No	Weight (kg)	Weight (lbs)	QIP (pcs)	Remarks
161277	9,40	20,72	36	

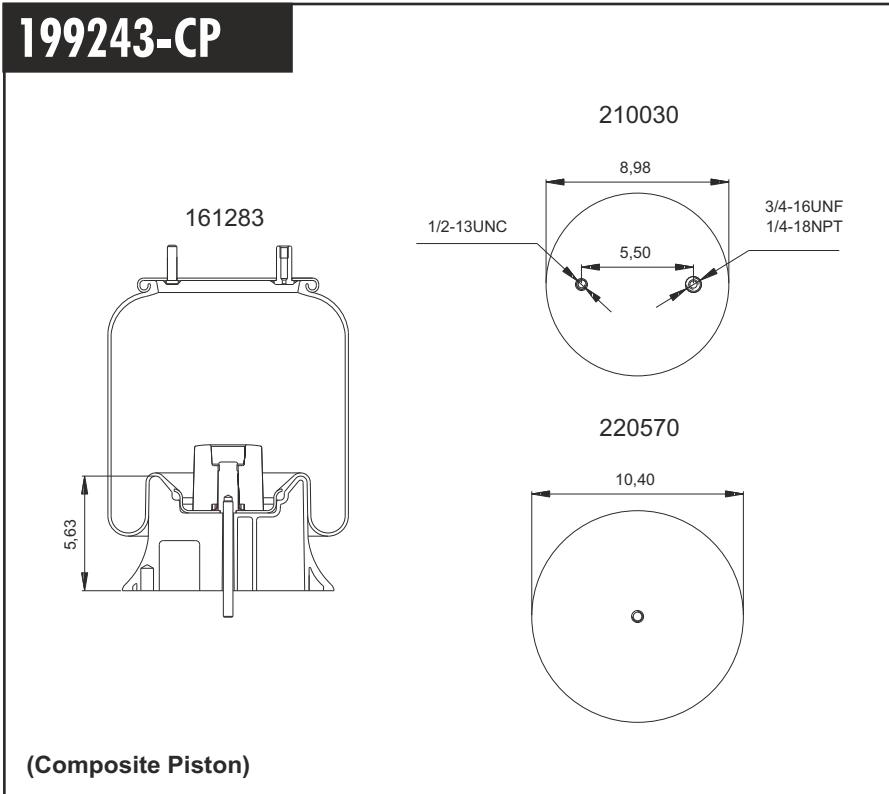
## Cross References

FS.	1T15M-6 W01-358-9223
GY	1R12-188 1R12-903
CT.	9 10-16 P 409
AUTOMANN	1DK23K-9223
TAURUS	6363
TRIANGLE	8409
FLEET PRIDE	AS9223

## OEM

HENDRICKSON	48195-2
REYCO	12884-01
SAF HOLLAND (NEWAY)	57009223

# 199243-CP



(Composite Piston)

Order No	Weight (kg)	Weight (lbs)	QIP (pcs)	Remarks
161283	7,50	16,53	33	

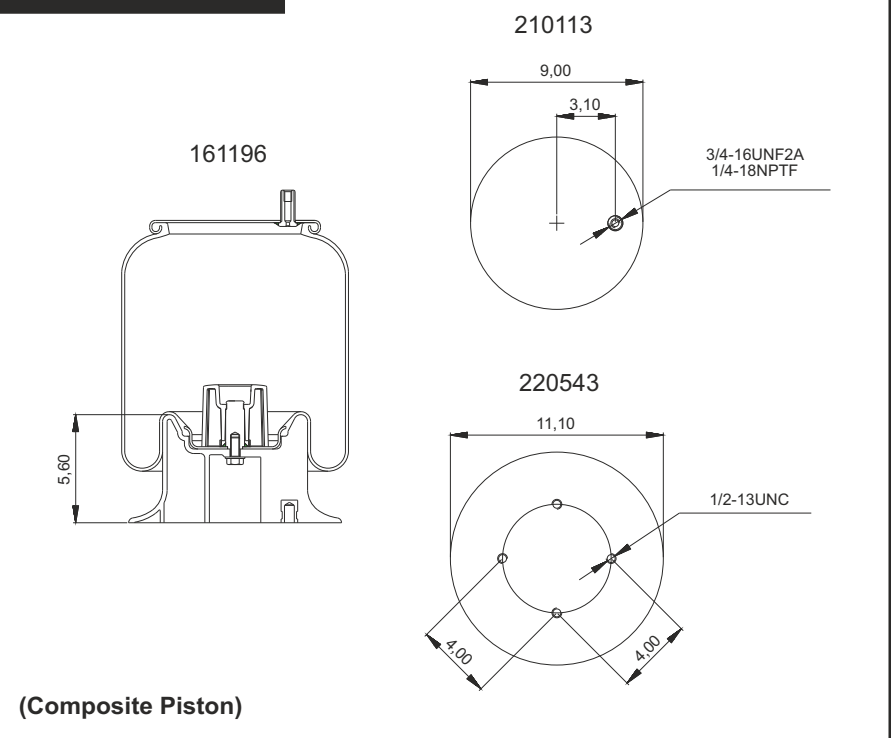
## Cross References

FS.	1T15M-9 W01-358-9243
GY	1R12-480 9 10-19 P 384
CT.	39243 KPP
AUTOMANN	1DK23L-9243
TAURUS	6364
TRIANGLE	8384
FLEET PRIDE	AS9243

## OEM

SAF HOLLAND (NEWAY)	90557112
WATSON / CHALIN	AS-0061

# 199265-CP



(Composite Piston)

Order No	Weight (kg)	Weight (lbs)	QIP (pcs)	Remarks
161196	11,00	24,25	36	

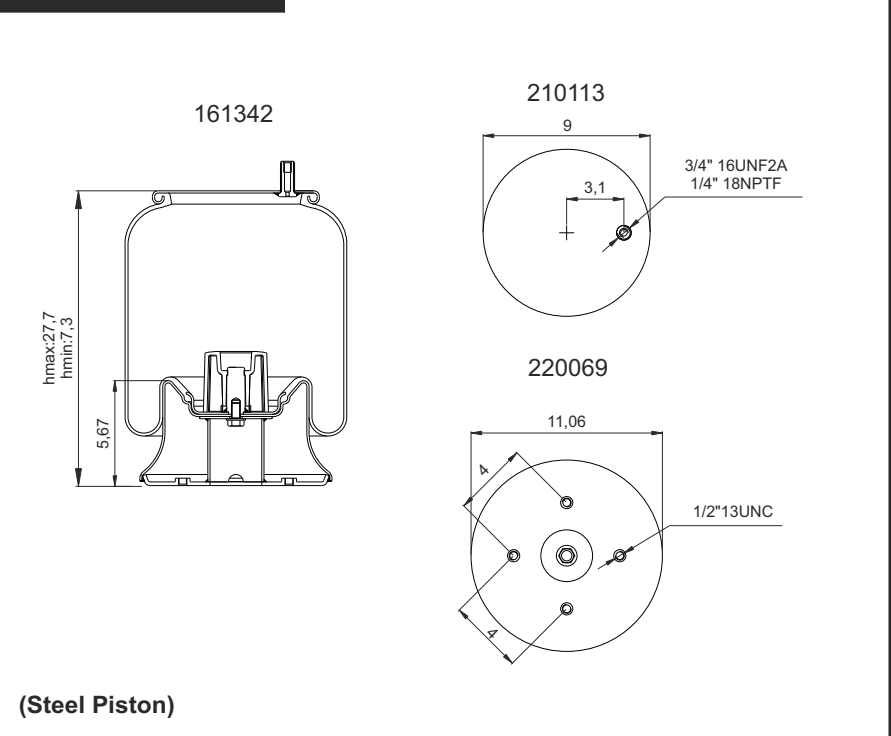
## Cross References

FS.	1T15MM-9 W01-358-9265
GY.	1R12-375
CI.	9 10-19 P 435
AUTOMANN	1DK23L-9265
TAURUS	6387
TRIANGLE	8435
FLEET PRIDE	AS9265

## OEM

HENDRICKSON	C20413 S20124
LOADGUARD	SC2759
FLEETRITE	FLT1R12375
VOLVO	85101155

# 199265-CS



(Steel Piston)

Order No	Weight (kg)	Weight (lbs)	QIP (pcs)	Remarks
161342	12,00	26,46	30	

## Cross References

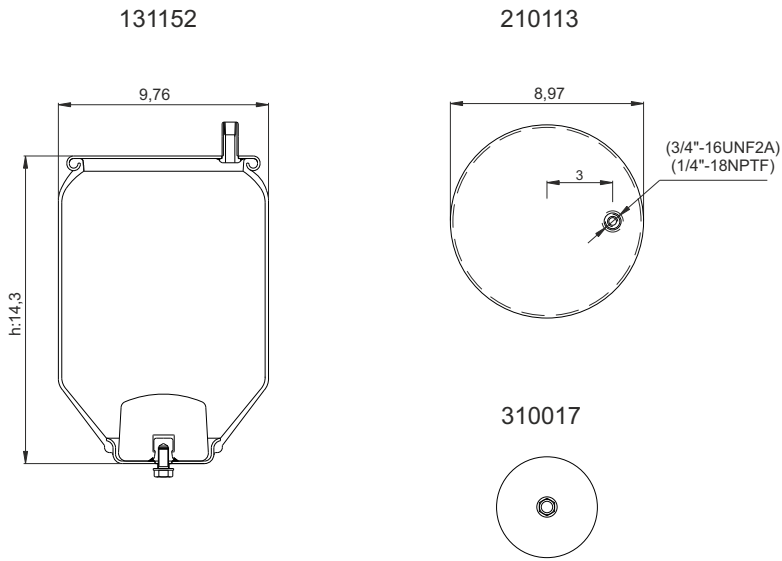
FS.	1T15MM-9 W01-358-9265
GY.	1R12-375
CI.	9 10-19 P 435
AUTOMANN	1DK23L-9265
TAURUS	6387
TRIANGLE	8435
FLEET PRIDE	AS9265

## OEM

HENDRICKSON	C20413 S20124
LOADGUARD	SC2759
FLEETRITE	FLT1R12375
VOLVO	85101155



# 199270-WP



Order No	Weight (kg)	Weight (lbs)	QIP (pcs)	Remarks
131152	4,50	9,92	45	

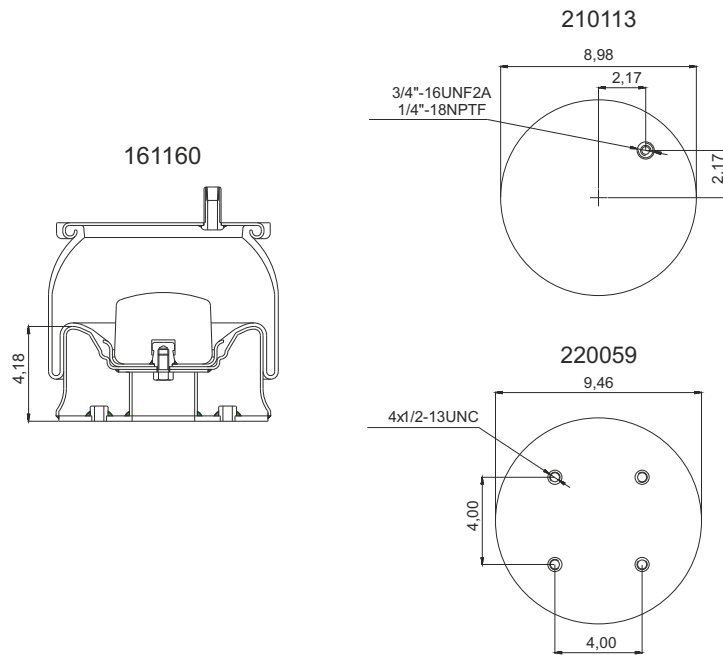
## Cross References

FS.	1T15VP-4 W01-358-9270
GY	1R13-119
CT	9 10-13.5 S 433
AT	39270 K
AUTOMANN	1DK231-9270
TAURUS	6385
TRIANGLE	8433
FLEET PRIDE	AS9270

## OEM



# 199270-CS



(Steel Piston)

Order No	Weight (kg)	Weight (lbs)	QIP (pcs)	Remarks
161160	9,46	20,86	50	

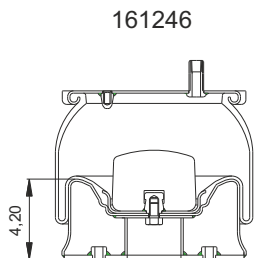
## Cross References

FS.	1T15VP-4 W01-358-9270
GY	1R13-119
CT	9 10-13.5 S 433
AUTOMANN	1DK231-9270
TAURUS	6385
TRIANGLE	8433
FLEET PRIDE	AS9270

## OEM

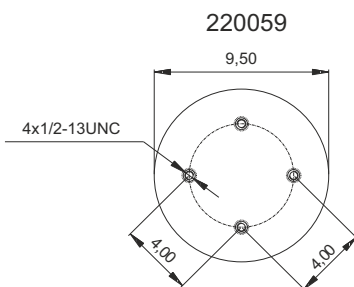
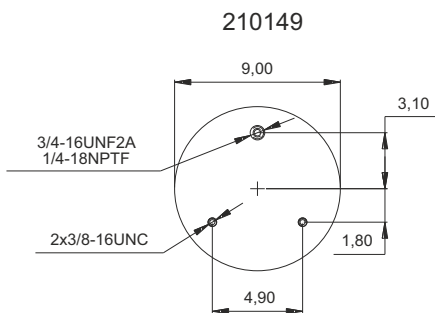
HENDRICKSON	C20010 C20108
VOLVO	85101147
WATSON / CHALIN	AS-0084

# 199270-CS01



161246

4,20



(Steel Piston)

## Cross References

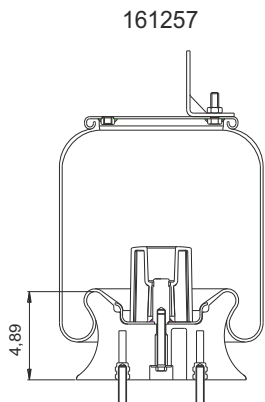
FS.	1T15VP-4 W01-358-9270
GY.	1R13-119
CT.	9 10-13.5 S 433
AUTOMANN	1DK231-9270
TAURUS	6385
TRIANGLE	8433
FLEET PRIDE	AS9270

## OEM

HENDRICKSON	C20010 C20108
VOLVO	85101147
WATSON / CHALIN	AS-0084

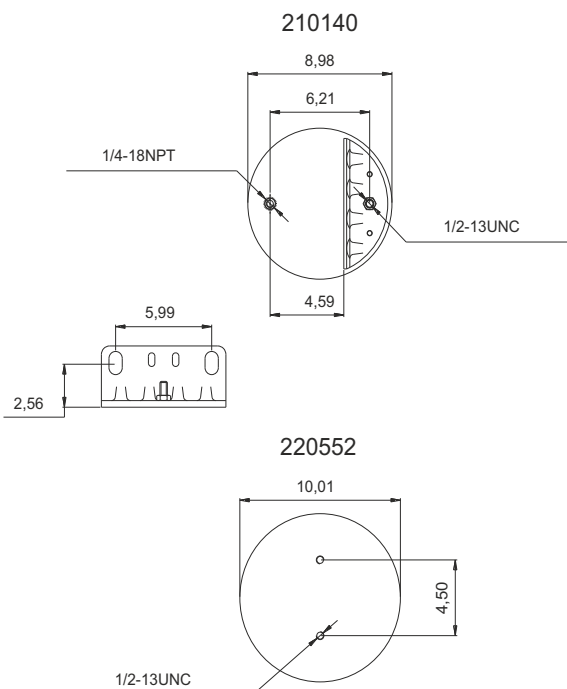
Order No	Weight (kg)	Weight (lbs)	QIP (pcs)	Remarks
161246	9,46	20,86	50	

# 199287-CP



161257

4,89



(Composite Piston)

## Cross References

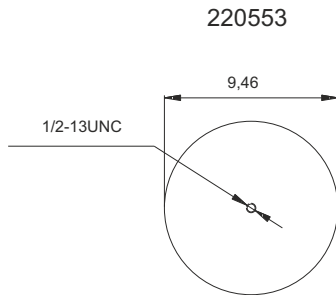
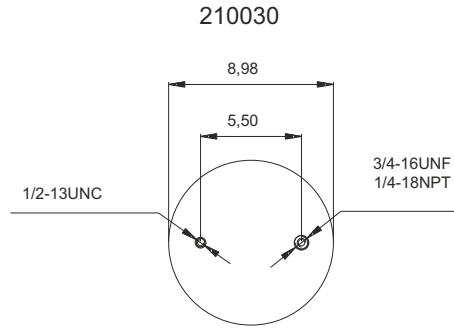
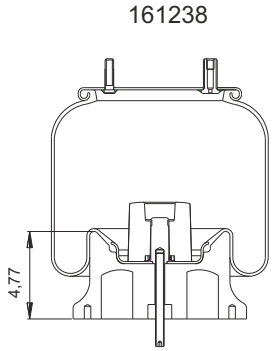
FS.	1T15M-8 W01-358-9287
GY.	1R12-424 1S12-027
CT.	9 10-18.5 P 406 (BK)
AT.	39287 KPP
AUTOMANN	1DK23M-P098
TRIANGLE	8406

## OEM

HENDRICKSON	50405-1 50405-2
LOADGUARD	SC2770
NAVISTAR	1622372C1

Order No	Weight (kg)	Weight (lbs)	QIP (pcs)	Remarks
161257	8,00	17,64	36	

## 199293-CP



(Composite Piston)

Order No	Weight (kg)	Weight (lbs)	QIP (pcs)	Remarks
161238	5,50	12,13	40	

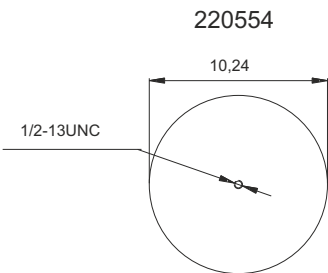
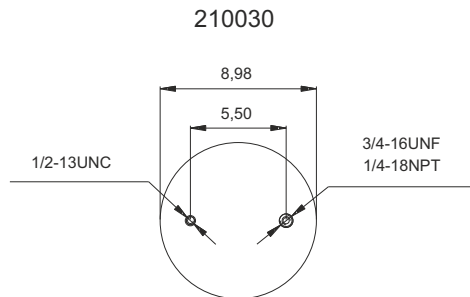
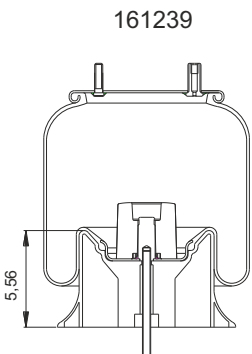
### Cross References

FS.	1T15LP-5
	W01-358-9293
GY.	1R10-120
CT.	9 9K-15 P 424
AT.	39293 KPP
AUTOMANN	1DK20F-9293
TAURUS	6378
TRIANGLE	8424
FLEET PRIDE	AS9293

### OEM

DAYTON	352-9293
SAF HOLLAND (NEWAY)	90557120
	90557127

## 199295-CP



(Composite Piston)

Order No	Weight (kg)	Weight (lbs)	QIP (pcs)	Remarks
161239	5,20	11,46	40	

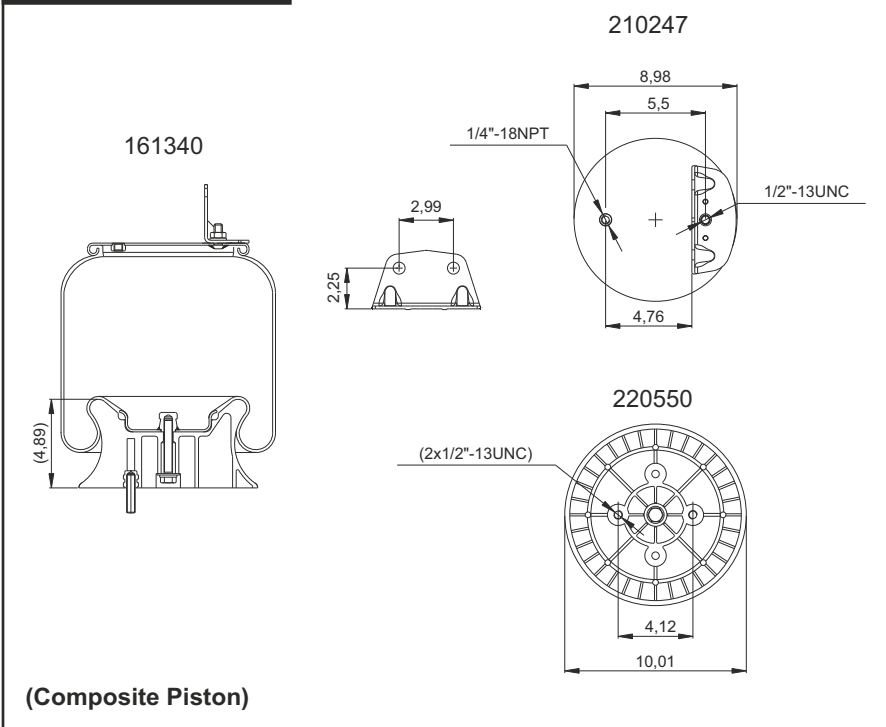
### Cross References

FS.	1T15LP-5
	W01-358-9295
GY.	1R11-166
CT.	9 9K-15 P 417
AT.	39295 KPP
AUTOMANN	1DK20F-9295
TAURUS	6378
TRIANGLE	8417
FLEET PRIDE	AS9295

### OEM

REYCO	710387-01
SAF HOLLAND (NEWAY)	90557121
WATSON / CHALIN	AS-0171

## 199296-CP



(Composite Piston)

### Cross References

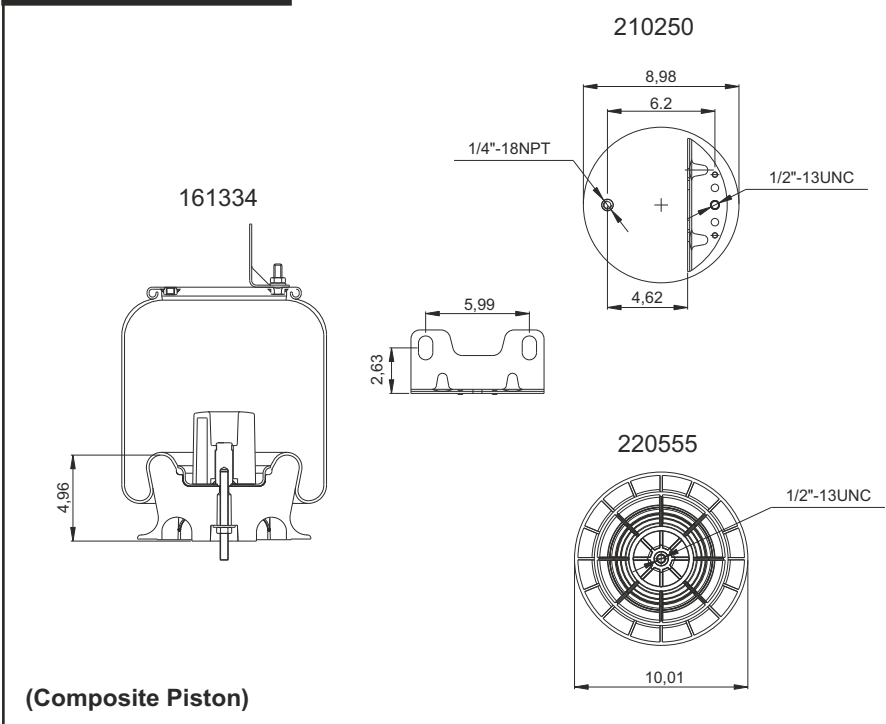
FS.	1T15M-6
	W01-358-9296
GY.	1R12-400
CT.	9 10-16 P 416
AT.	39296 KPP
AUTOMANN	1DK23K-9296
TAURUS	6363
TRIANGLE	8416
FLEET PRIDE	AS9296

### OEM

LOADGUARD	SC2760
VOLVO	8061151
	8169868

Order No	Weight (kg)	Weight (lbs)	QIP (pcs)	Remarks
161340	6,00	13,23	35	

## 199297-CP



(Composite Piston)

### Cross References

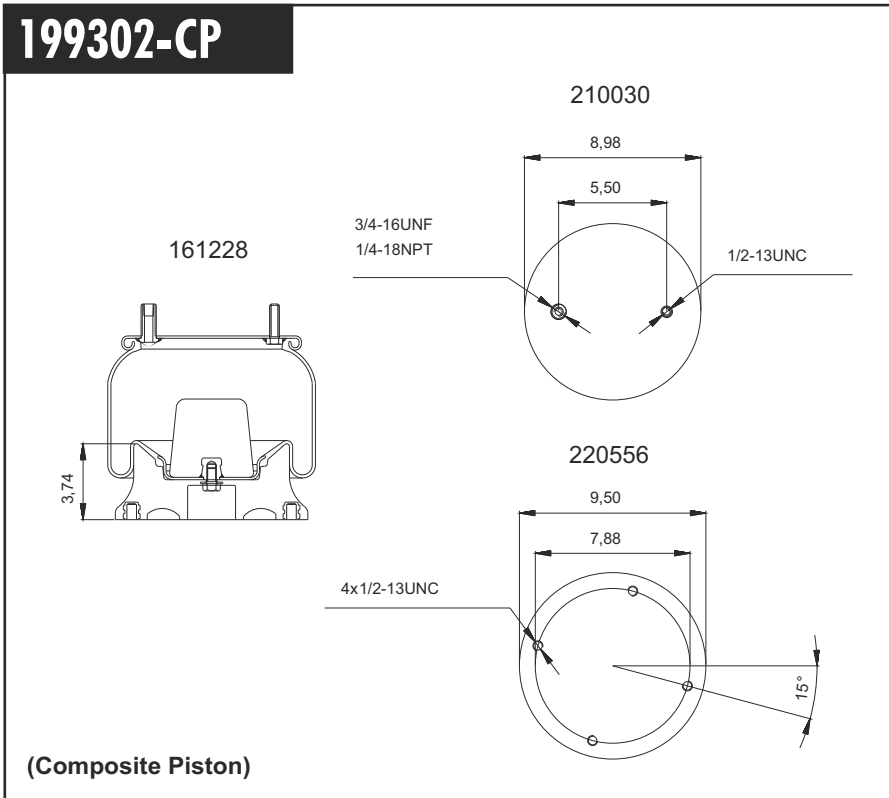
FS.	1T15M-8
	W01-358-9297
GY.	1R12-402
CT.	9 10-18.5 P 935
AUTOMANN	1DK23M-9297X

### OEM

HENDRICKSON	50898-1
	50898-2
	64651-2

Order No	Weight (kg)	Weight (lbs)	QIP (pcs)	Remarks
161334	7,74	17,06	35	

## 199302-CP



(Composite Piston)

Order No	Weight (kg)	Weight (lbs)	QIP (pcs)	Remarks
161228	4,94	10,89	40	

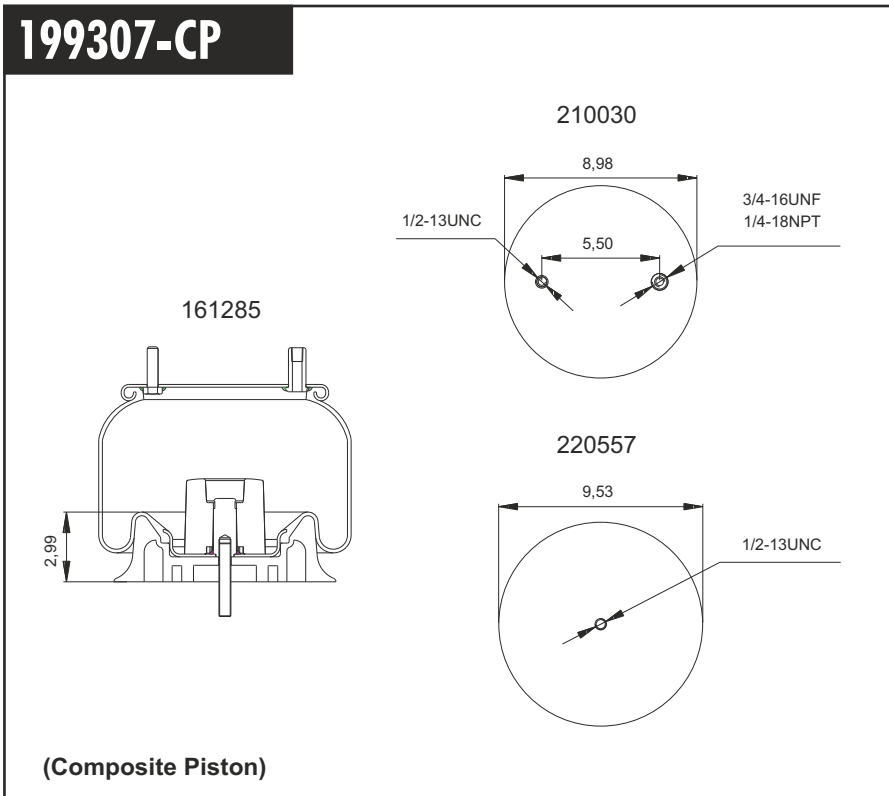
### Cross References

FS.	1T15M-2 W01-358-9302
GY.	1R12-132
CT.	9 10-12 P 343
AUTOMANN	1DK23H-9302
TRIANGLE	8343
FLEET PRIDE	AS9302

### OEM

HENDRICKSON	B12514-003
SAF HOLLAND (NEWAY)	57009302

## 199307-CP



(Composite Piston)

Order No	Weight (kg)	Weight (lbs)	QIP (pcs)	Remarks
161285	4,60	10,14	50	

### Cross References

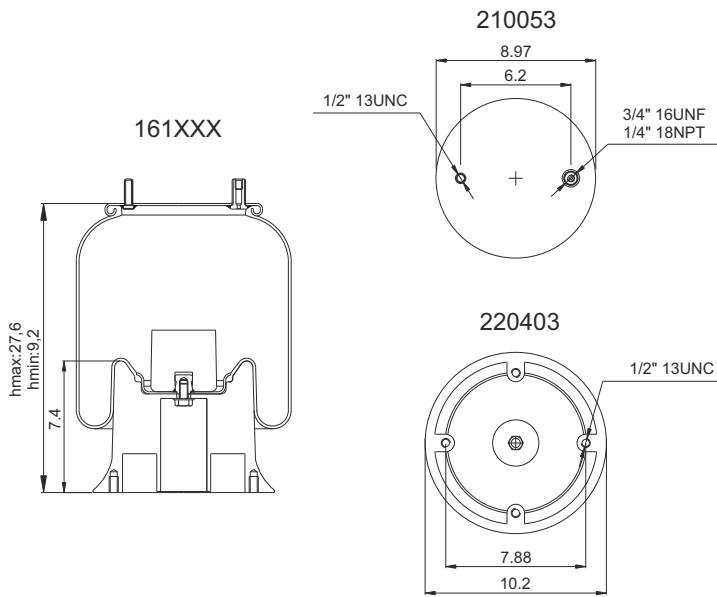
FS.	1T15M-0.5 W01-358-9307
GY.	1R12-095 / -435
CT.	9 10-10 P 471 9 10-10.5 P 883
AT.	39307 KPP
AUTOMANN	1DK23F-9307
TAURUS	6360
TRIANGLE	8471
FLEET PRIDE	AS9307

### OEM

REYCO	17360-01
RIDEWELL	S-5356-C
SAF HOLLAND (NEWAY)	90557129



# 199321-CALU



(Aluminum Piston)

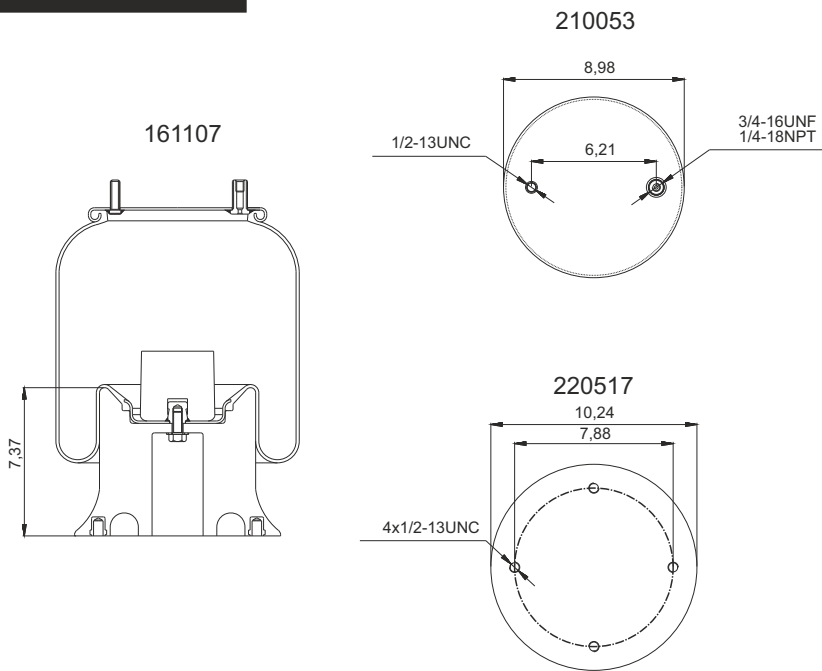
Order No	Weight (kg)	Weight (lbs)	QIP (pcs)	Remarks
161XXX	10,24	22,58	30	

## Cross References

## OEM



# 199321-CP



(Composite Piston)

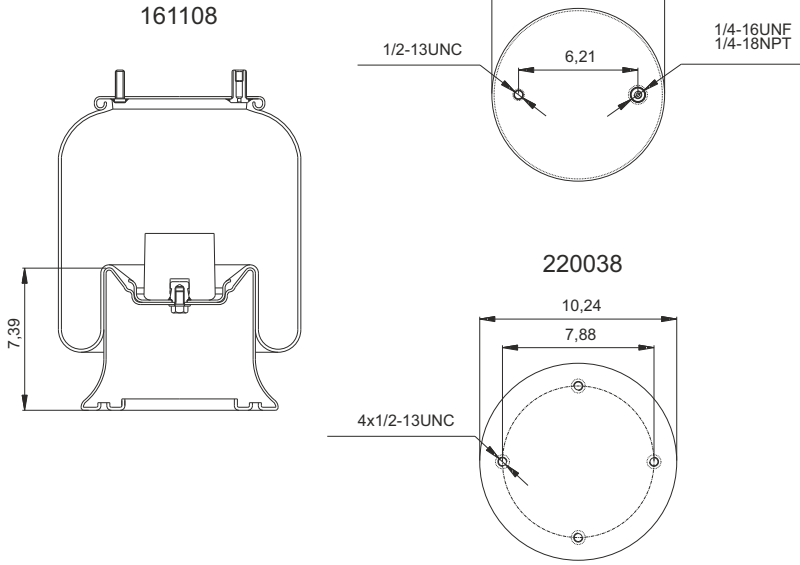
Order No	Weight (kg)	Weight (lbs)	QIP (pcs)	Remarks
161107	9,00	19,84	30	

## Cross References

## OEM

FS.	1T15M-11	DAYTON	352-9321
	W01-358-9321	HENDRICKSON	B14249
GY.	1R12-335	LOADGUARD	SC2120
	1R12-256	REYCO	7640
CI.	9 10-21 P 361	SAF HOLLAND (NEWAY)	57009321
AT.	39321 KPP	VOLVO	85101160
AUTOMANN	1DK23N-9321	WATSON / CHALIN	AS-0036
TAURUS	6373		
TRIANGLE	8361		
FLEET PRIDE	AS9321		

# 199321-CS



(Steel Piston)

Order No	Weight (kg)	Weight (lbs)	QIP (pcs)	Remarks
161108	11,00	24,25	30	

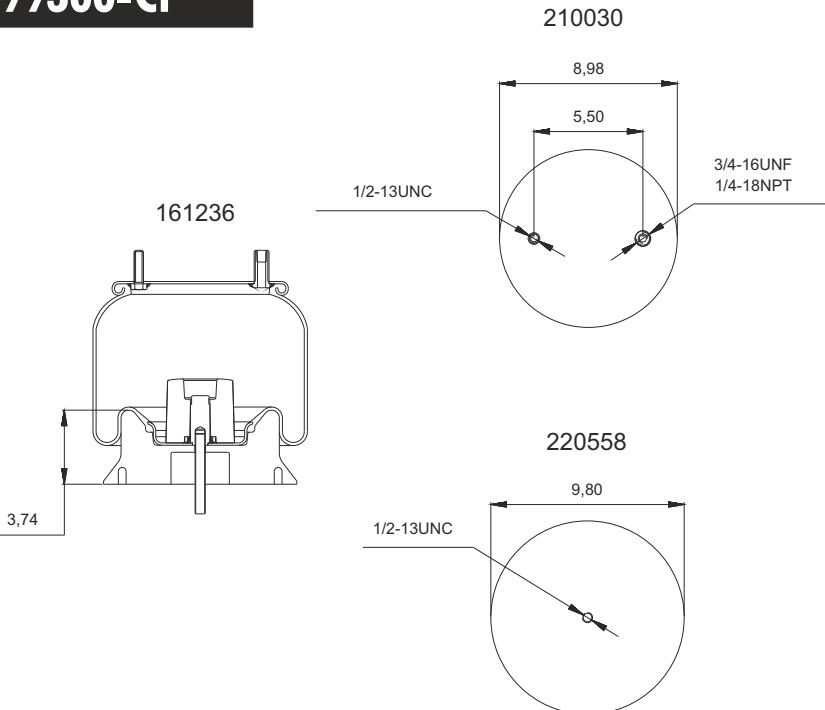
## Cross References

FS.	1T15M-11
	W01-358-9321
GY.	1R12-335
	1R12-256
CT.	9 10-21 P 361
AUTOMANN	1DK23N-9321
TAURUS	6373
TRIANGLE	8361
FLEET PRIDE	AS9321

## OEM

DAYTON	352-9321
HENDRICKSON	B14249
LOADGUARD	SC2120
REYCO	7640
SAF HOLLAND (NEWAY)	57009321
VOLVO	85101160
WATSON / CHALIN	AS-0036

# 199366-CP



(Composite Piston)

Order No	Weight (kg)	Weight (lbs)	QIP (pcs)	Remarks
161236	5,88	12,96	50	

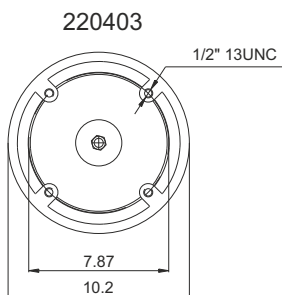
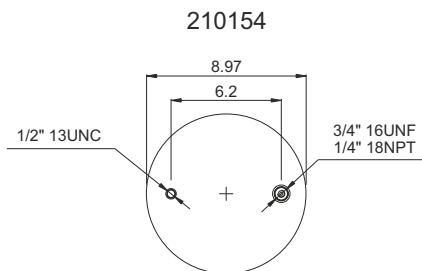
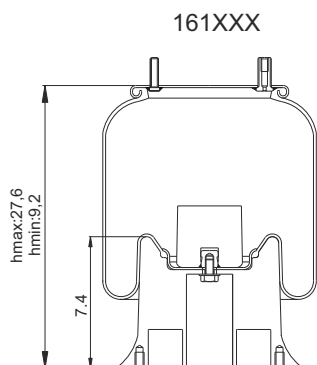
## Cross References

FS.	1T15M-2
	W01-358-9366
GY.	1R12-487
CT.	9 10-12 P 488
AT.	39366 KPP
AUTOMANN	1DK23H-9366
TAURUS	6361
TRIANGLE	8488
FLEET PRIDE	AS9366

## OEM

SAF HOLLAND (NEWAY)	90557160
	90557225
	90557210
WATSON / CHALIN	AS-0054

# 199367-CALU



(Aluminum Piston)

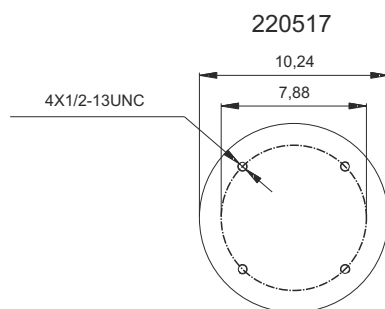
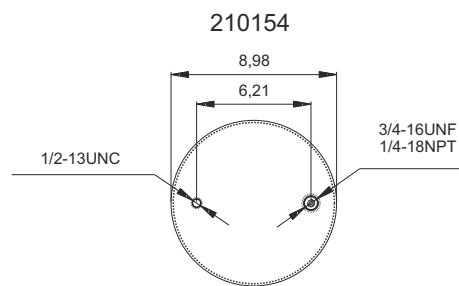
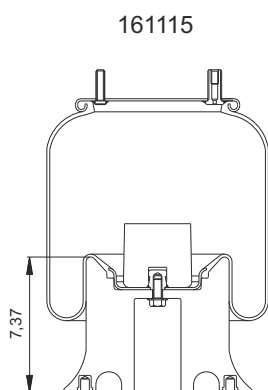
Order No	Weight (kg)	Weight (lbs)	QIP (pcs)	Remarks
161XXX	8,20	18,08	35	

## Cross References

## OEM



# 199367-CP



(Composite Piston)

Order No	Weight (kg)	Weight (lbs)	QIP (pcs)	Remarks
161115	8,00	17,64	35	

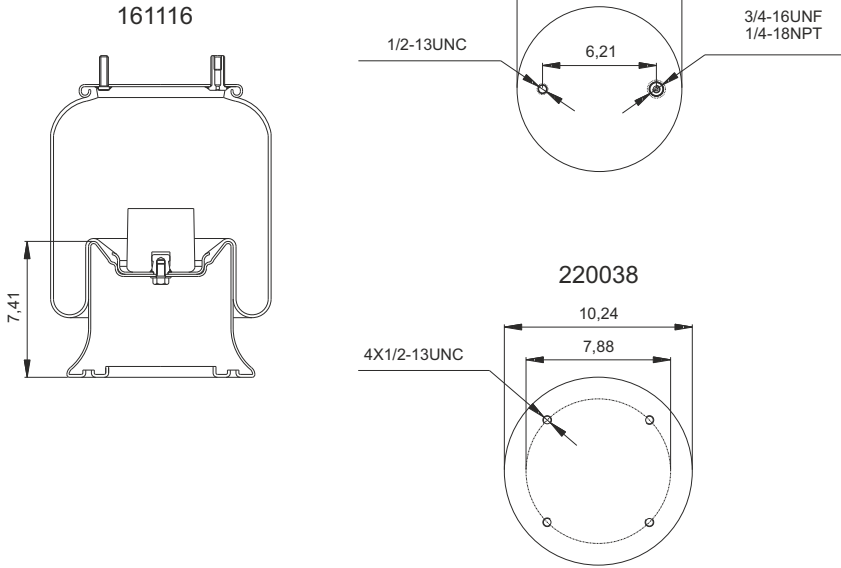
## Cross References

## OEM

FS.	1T15M-11
	W01-358-9367
GY.	1R12-256
CI.	9 10-21 P 505
AUTOMANN	1DK23N-9367
TAURUS	6373
TRIANGLE	8505
FLEET PRIDE	AS9367

HENDRICKSON	B4375
	B14249
	003319
LOADGUARD	SC2120
WATSON / CHALIN	AS-0104

# 199367-CS



(Steel Piston)

Order No	Weight (kg)	Weight (lbs)	QIP (pcs)	Remarks
161116	8,60	18,96	35	

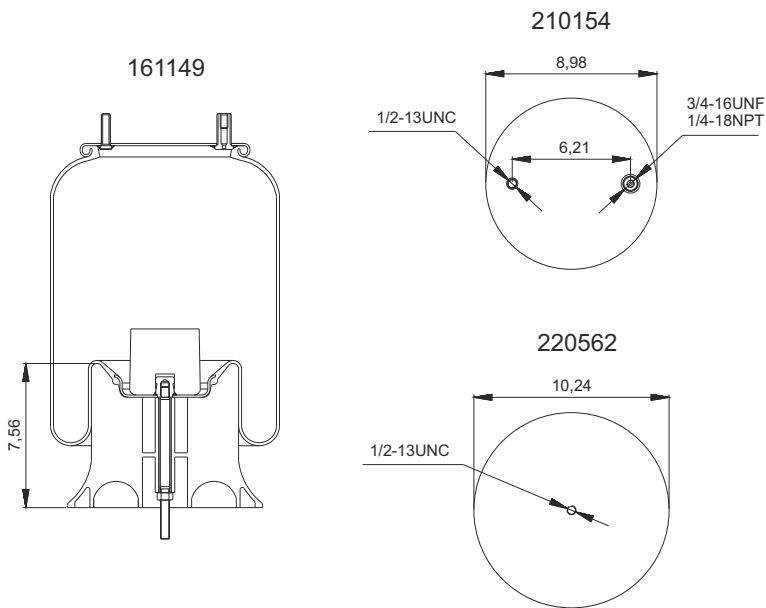
## Cross References

FS.	1T15M-11 W01-358-9367
GY	1R12-256
CT	9 10-21 P 505
AUTOMANN	1DK23N-9367
TAURUS	6373
TRIANGLE	8505
FLEET PRIDE	AS9367

## OEM

HENDRICKSON	B4375 B14249 003319
LOADGUARD	SC2120
WATSON / CHALIN	AS-0104

# 199370-CP



(Composite Piston)

Order No	Weight (kg)	Weight (lbs)	QIP (pcs)	Remarks
161149	9,00	19,84	30	

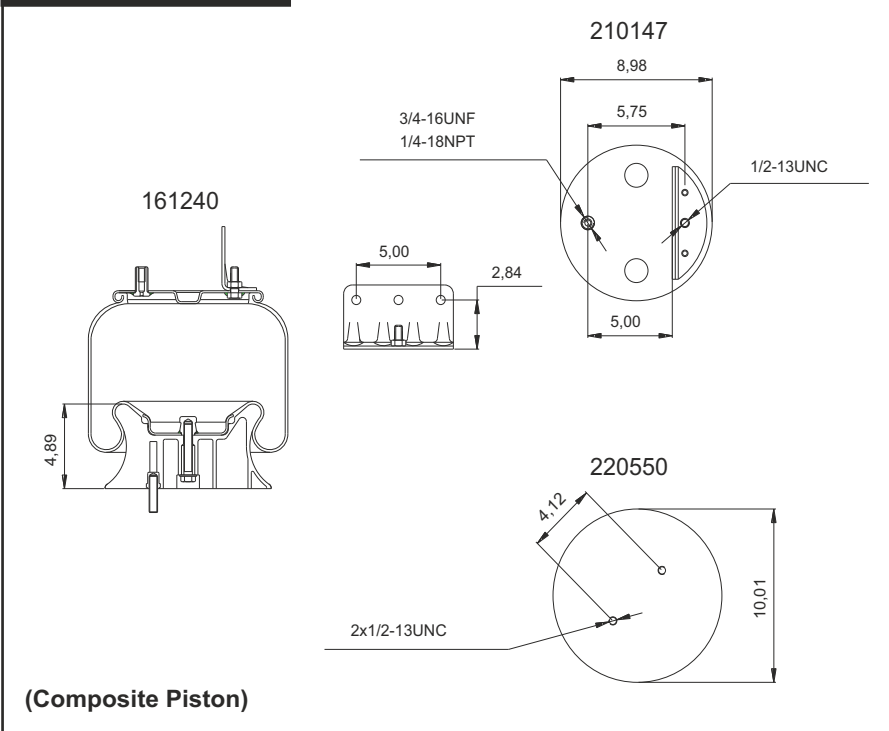
## Cross References

FS.	1T15M-11 W01-358-9370
GY	1R12-580
CT	9 10-21 P 448
AT	39370 KPP
AUTOMANN	1DK23N-9370
TAURUS	6373
TRIANGLE	8448
FLEET PRIDE	AS9370

## OEM

WATSON / CHALIN	AS-0057
-----------------	---------

# 199371-CP



(Composite Piston)

Order No	Weight (kg)	Weight (lbs)	QIP (pcs)	Remarks
161240	6,90	15,21	35	

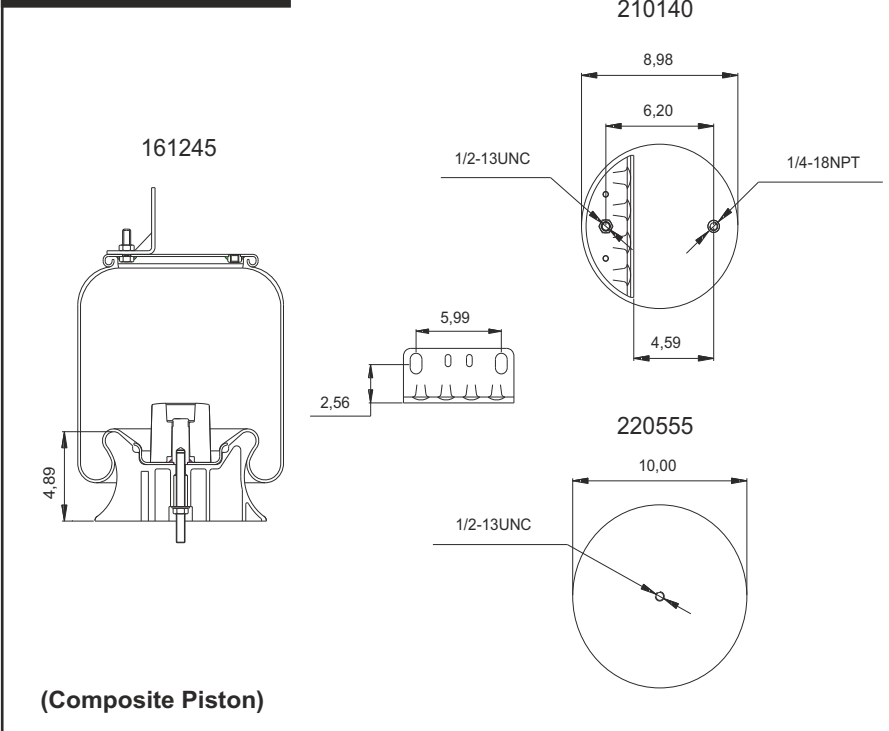
## Cross References

FS.	1T15M-8
	W01-358-9371
GY.	1R12-401
	1S12-244
CI.	9 10-18.5 P 521 (BK)
AT.	39371 KPP
TRIANGLE	8521
FLEET PRIDE	AS9371

## OEM

NAVISTAR	A 1670073C-1
	1686386C-1
	2027911C-1
	1670043C1

# 199373-CP



(Composite Piston)

Order No	Weight (kg)	Weight (lbs)	QIP (pcs)	Remarks
161245	7,94	17,50	24	

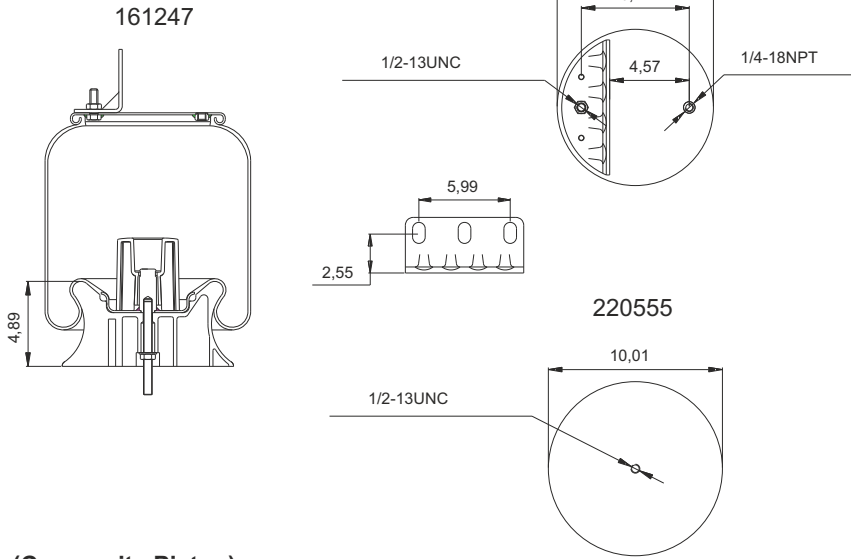
## Cross References

FS.	1T15MT-8
	W01-358-9373
GY.	1R12-403
	1S12-030
CI.	9 10-18.5 P 519
	9 10.1-75 P 440
AT.	39373 KPP
TRIANGLE	8519

## OEM

HENDRICKSON	57122-1
	57122-2
FLEETRITE	FLT1R12403

## 199375-CP



(Composite Piston)

Order No	Weight (kg)	Weight (lbs)	QIP (pcs)	Remarks
161247	7,74	17,06	32	

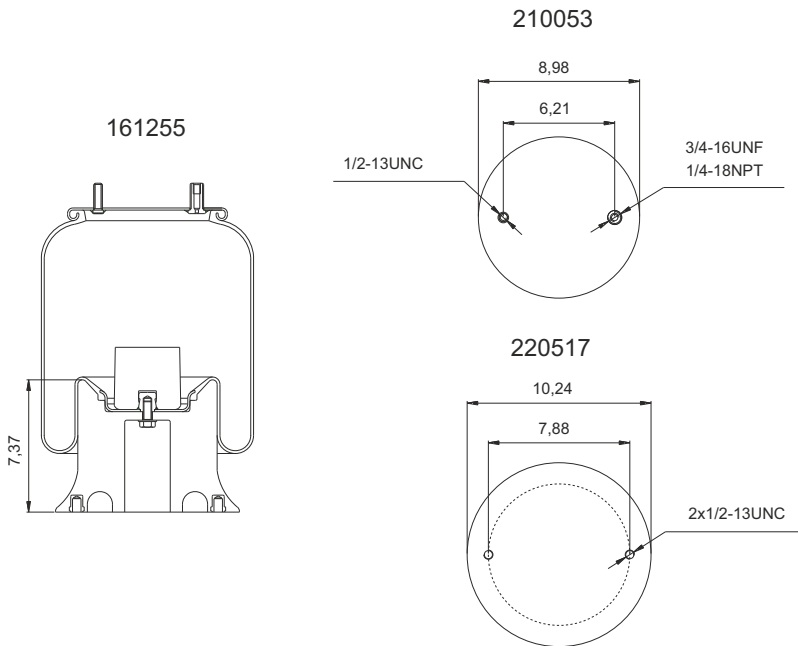
### Cross References

FS.	1T15M-8 W01-358-9375
GY	1R12-404 1R12-488 1S12-030
CT.	9 10-18.5 P 451 (BK)
AUTOMANN	1DK23M-9375X
TRIANGLE	8451

### OEM

HENDRICKSON	50899-1 50899-2
LOADGUARD	SC2773
MACK	3645Q27 57QL414M

## 199394-CP



(Composite Piston)

Order No	Weight (kg)	Weight (lbs)	QIP (pcs)	Remarks
161255	8,50	18,74	40	

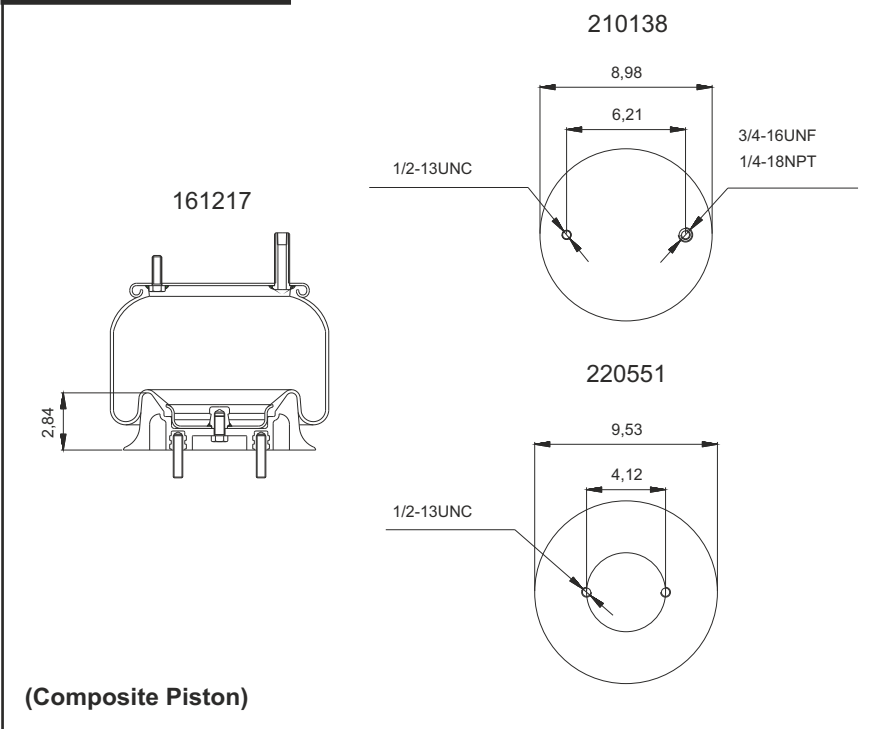
### Cross References

FS.	1T15M-9 W01-358-9394 W01-358-9241
GY	1R12-142 1R12-261 1R12-278 1R12-279
CT.	9 10-19 P 358 9 10-19 P 383
AT.	39394 KPP
AUTOMANN	1DK23L-9394 1DK23L-9241P
TAURUS	6364
TRIANGLE	8358
FLEET PRIDE	AS9394

### OEM

HENDRICKSON	S103522
-------------	---------

# 199422-CP



## Cross References

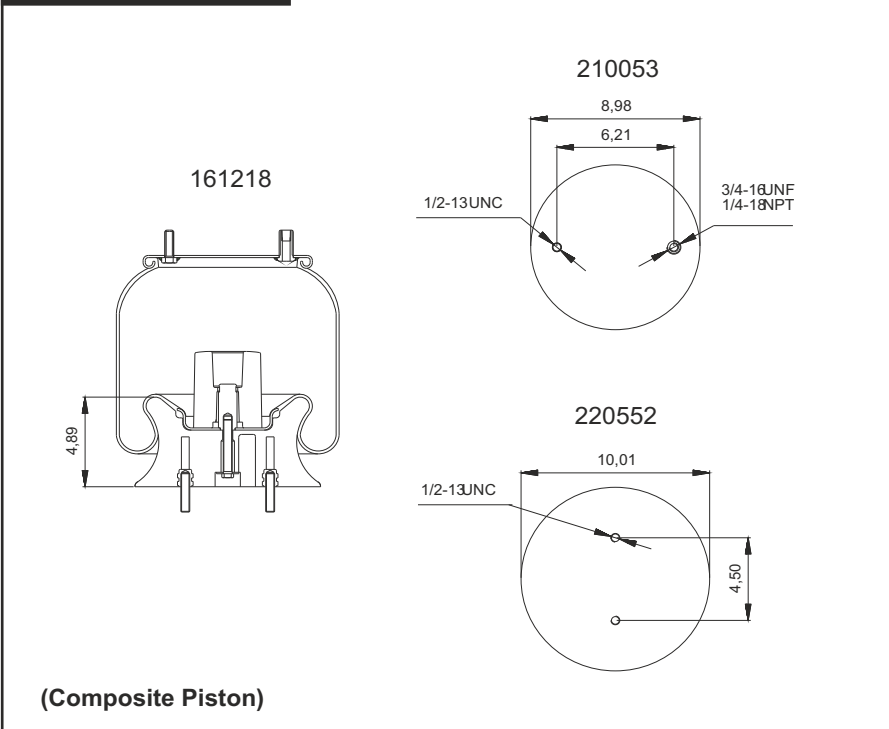
FS.	1T15L-1.5
	1T15KW-1.5
	W01-358-9422
GY.	1R11-028
CI.	9 9-12 P 314
AT.	39422-01 KPP
AUTOMANN	1DK20D-9422
TAURUS	6368
TRIANGLE	8314
FLEET PRIDE	AS9422

## OEM

DAYTON	352-9422
HENDRICKSON	B-13032
KENWORTH	K-303-6
	K-303-14
	K-303-15
LOADGUARD	SC2050
NAVISTAR	554762C1
VOLVO	85101148
WATSON / CHALIN	AS-0017

Order No	Weight (kg)	Weight (lbs)	QIP (pcs)	Remarks
161217	4,40	9,70	50	

# 199466-CP



## Cross References

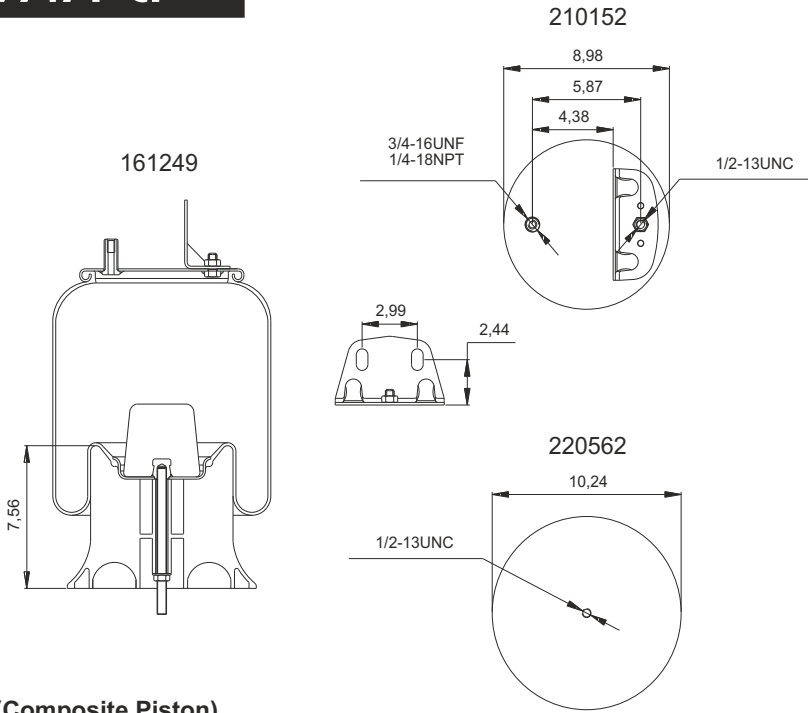
FS.	1T15MT-6
	W01-358-9466
GY.	1R12-365
	1R12-173
	1R12-197
CI.	9 10-16 P 410
AT.	39466 KPP
AUTOMANN	1DK23K-9466
TAURUS	6363
TRIANGLE	8410
FLEET PRIDE	AS9466

## OEM

DAYTON	352-9466
HENDRICKSON	49048
	49674-1
	49674-2
	49207
	409048-2C
	364QS28
LOADGUARD	SC2175
MACK	57QL411M
	364SQ28
VOLVO	85101157

Order No	Weight (kg)	Weight (lbs)	QIP (pcs)	Remarks
161218	6,69	14,75	35	

# 199471-CP



(Composite Piston)

Order No	Weight (kg)	Weight (lbs)	QIP (pcs)	Remarks
161249	7,50	16,53	30	

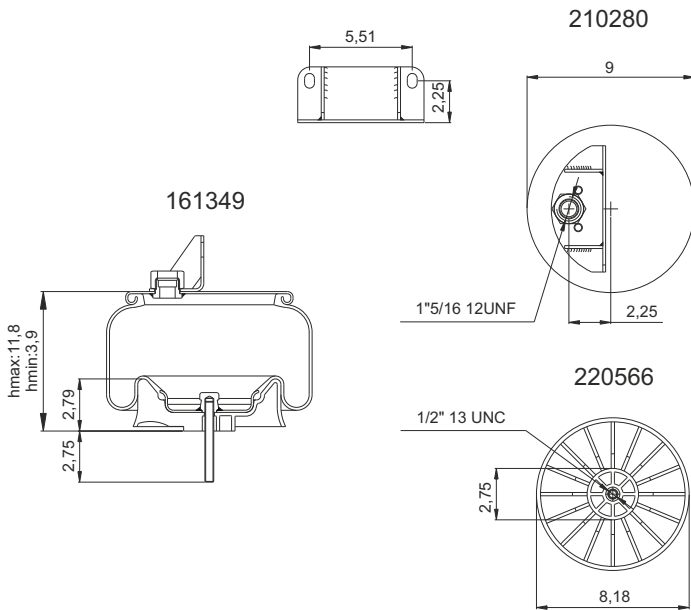
## Cross References

FS.	1T15V-8 W01-358-9471
GY	1R12-504 1R12-552
CT.	9 10-17.5 P 502 (BK)
AUTOMANN	1DK23P-9471
TAURUS	6391
TRIANGLE	8502 8572
FLEET PRIDE	AS9471

## OEM

SAF HOLLAND (NEWAY)	90557146 90557182 90557177
---------------------	----------------------------------

# 199541-CP



(Composite Piston)

Order No	Weight (kg)	Weight (lbs)	QIP (pcs)	Remarks
161349	5,00	11,02	45	

## Cross References

FS.	1T15LA-0 W01-358-9541
CT.	9 9-10 P 861 (BK)
AUTOMANN	1DK20H-9541X

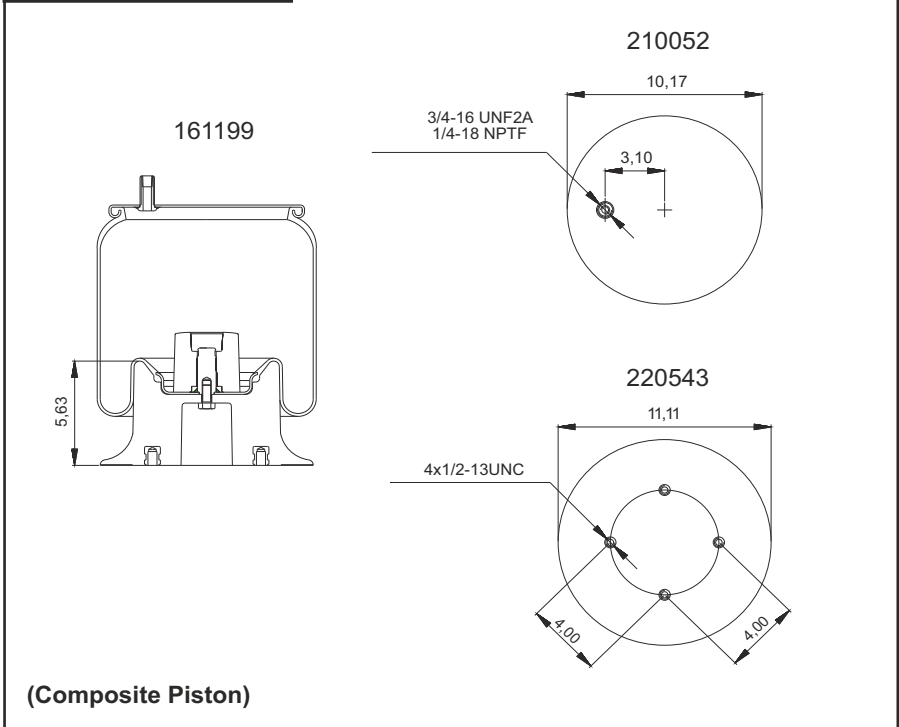
## OEM

KENWORTH	C81-1005
----------	----------





# 199580-CP



(Composite Piston)

Order No	Weight (kg)	Weight (lbs)	QIP (pcs)	Remarks
161199	7,00	15,43	26	

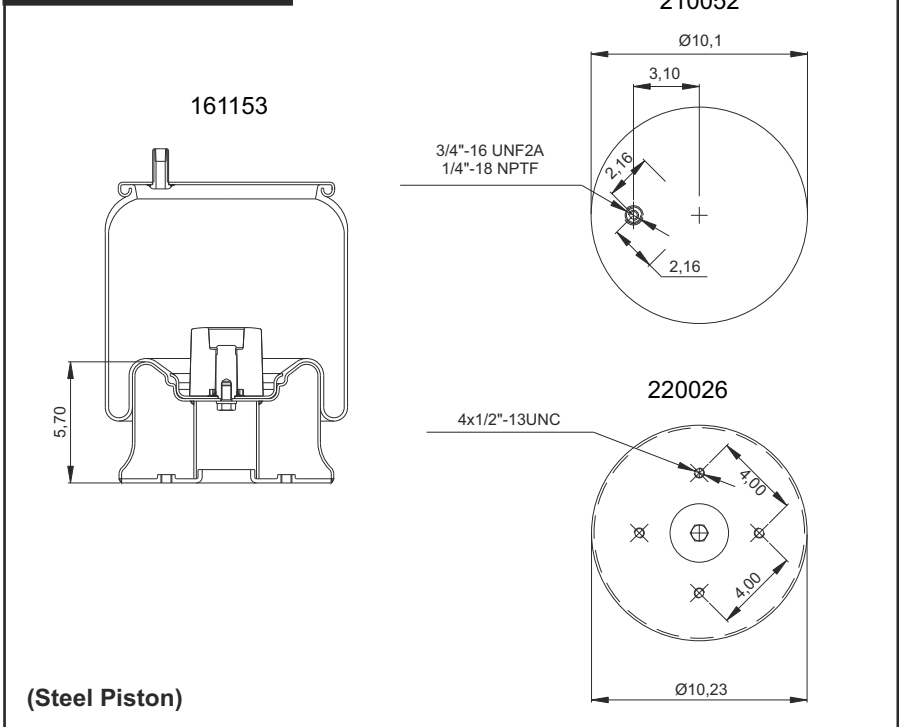
## Cross References

FS.	1T15VLT-10.5
	W01-358-9580
GY.	1R13-118
CT.	10 10-21 P 434
AUTOMANN	1DK25C-9580
TAURUS	6386
TRIANGLE	8434
FLEET PRIDE	AS9580

## OEM

DAYTON	352-9580
HENDRICKSON	S20127
LOADGUARD	SC2761
FLEETRITE	FLT1R13118

# 199580-CS



(Steel Piston)

Order No	Weight (kg)	Weight (lbs)	QIP (pcs)	Remarks
161153	9,00	19,84	26	

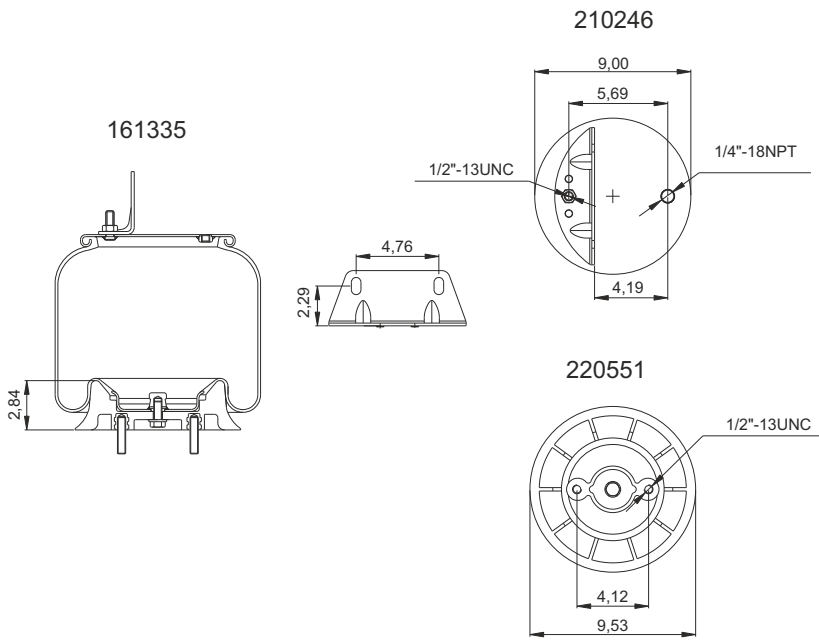
## Cross References

FS.	1T15VLT-10.5
	W01-358-9580
GY.	1R13-118
CT.	10 10-21 P 434
AT.	30081-01 K
AUTOMANN	1DK25C-9580
TAURUS	6386
TRIANGLE	8434
FLEET PRIDE	AS9580

## OEM

DAYTON	352-9580
HENDRICKSON	S20127
LOADGUARD	SC2761
FLEETRITE	FLT1R13118

# 199616-CP



(Composite Piston)

Order No	Weight (kg)	Weight (lbs)	QIP (pcs)	Remarks
161335	4,54	10,00	35	

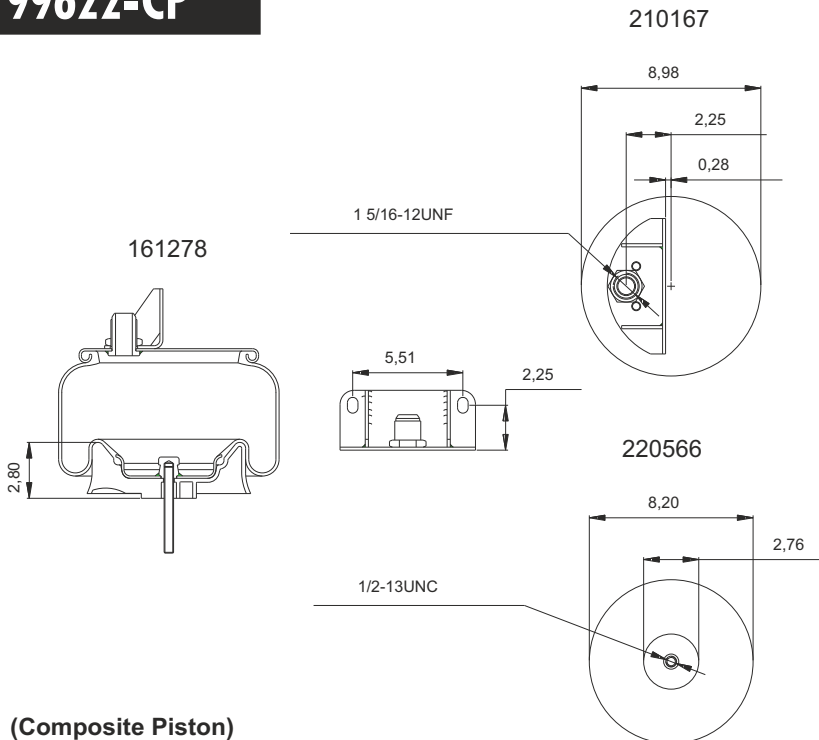
## Cross References

FS.	1T15L-1.5
	1T15KW-1.5
	W01-358-9616
GY	1R11-242
CT	9 9-12 P 515 (BK)
AT	39616 KPP
AUTOMANN	1DK20D-9616
FLEET PRIDE	AS9616

## OEM

KENWORTH	K-303-16
SAF HOLLAND (NEWAY)	90557250

# 199622-CP



(Composite Piston)

Order No	Weight (kg)	Weight (lbs)	QIP (pcs)	Remarks
161278	5,00	11,02	60	

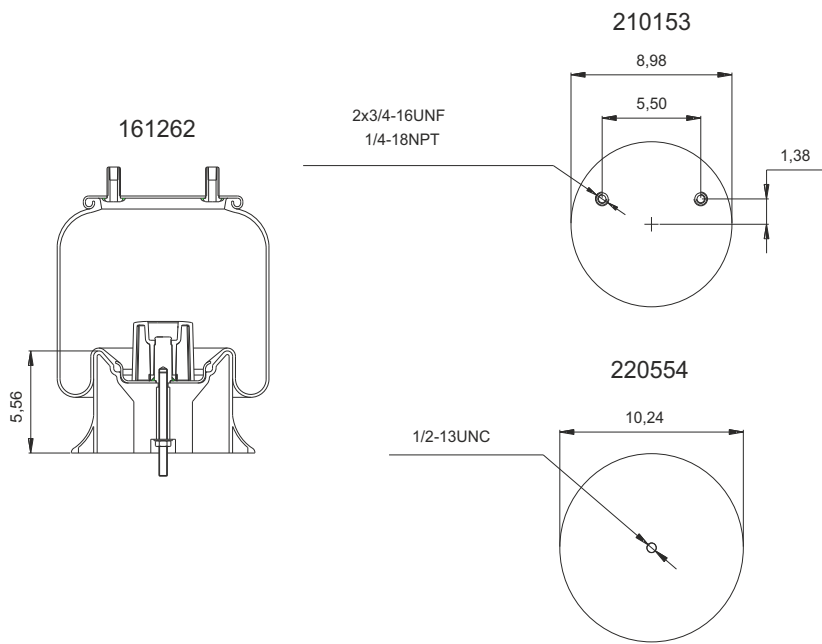
## Cross References

FS.	1T15LA-(-1)
	1T15KW-(-1)
	W01-358-9622
GY	1R11-221
CT	9 9-9 P 537
AT	39622 KPP
TRIANGLE	8537
FLEET PRIDE	AS9622

## OEM

KENWORTH	K-303-22
----------	----------

# 199626-CP



(Composite Piston)

## Cross References

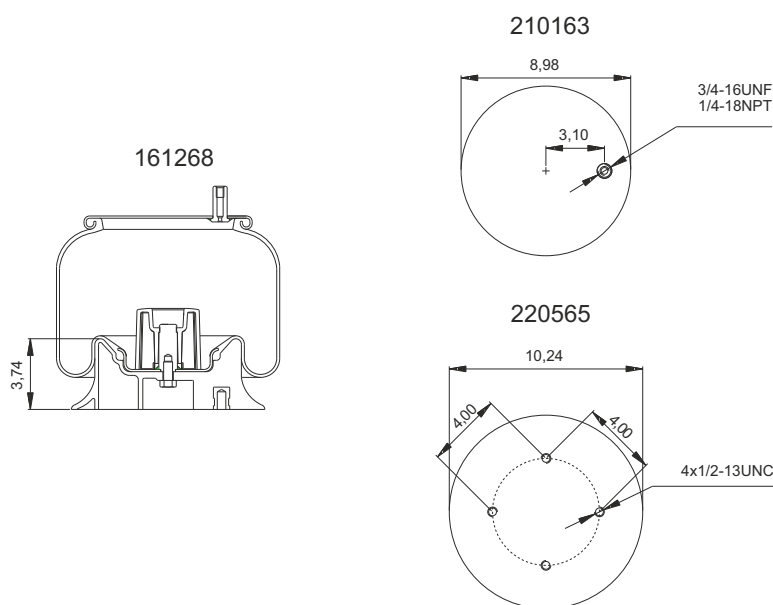
FS.	1T15L-6
	W01-358-9626
CI.	9 9-16 P 568
AUTOMANN	1DK20J-9626
TAURUS	6424
TRIANGLE	8568
FLEET PRIDE	AS9626

## OEM

HENDRICKSON	S23720
-------------	--------

Order No	Weight (kg)	Weight (lbs)	QIP (pcs)	Remarks
161262	6,00	13,22	35	

# 199640-CP



(Composite Piston)

## Cross References

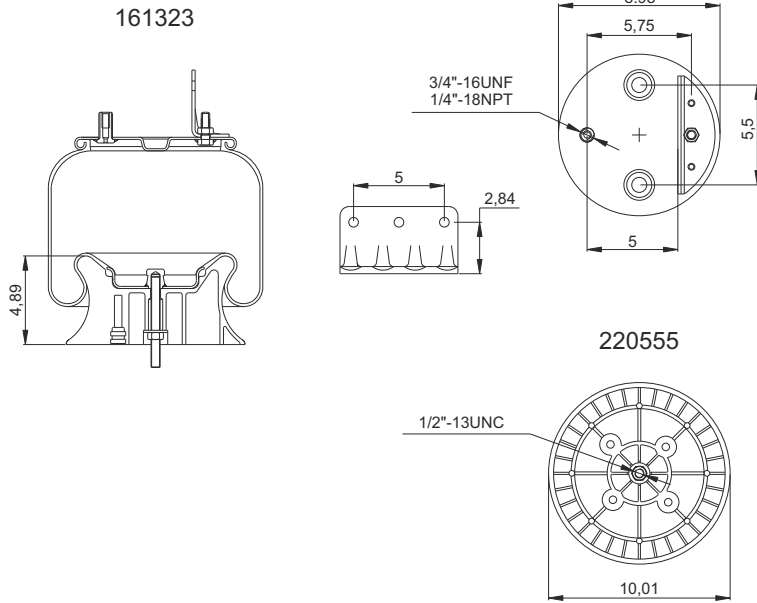
FS.	1T15MT-3
	W01-358-9640
GY.	1R12-367
CI.	9 10-12 A 427
AUTOMANN	1DK23H-9640
TAURUS	6388
TRIANGLE	8427
FLEET PRIDE	AS9640

## OEM

HENDRICKSON	S20223
LOADGUARD	SC2758

Order No	Weight (kg)	Weight (lbs)	QIP (pcs)	Remarks
161268	10,00	22,05	50	

# 199648-CP



(Composite Piston)

Order No	Weight (kg)	Weight (lbs)	QIP (pcs)	Remarks
161323	6,35	14,00	35	

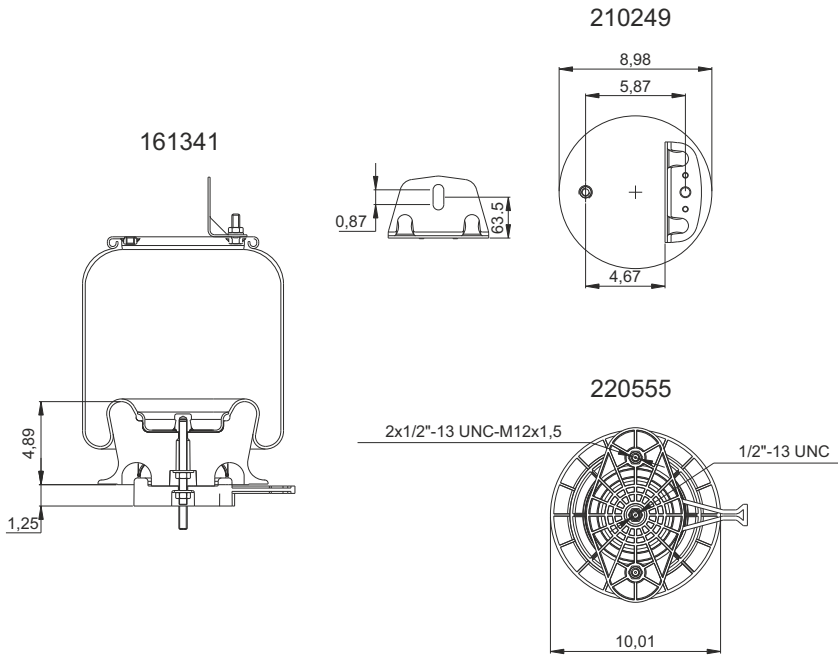
## Cross References

FS.	1T15MT-8 W01-358-9648
GY	1R12-398 1R12-538
CT.	9 10-18.5 P 456 (BK)
AT.	39648 KPP
AUTOMANN	1DK23M-9648
TAURUS	6363
TRIANGLE	8456
FLEET PRIDE	AS9648

## OEM

NAVISTAR	2027911C1 2027911C2 2027911C3
FLEETRITE	FLT1R12538

# 199663-CP



(Composite Piston)

Order No	Weight (kg)	Weight (lbs)	QIP (pcs)	Remarks
161341	9,53	21,00	35	

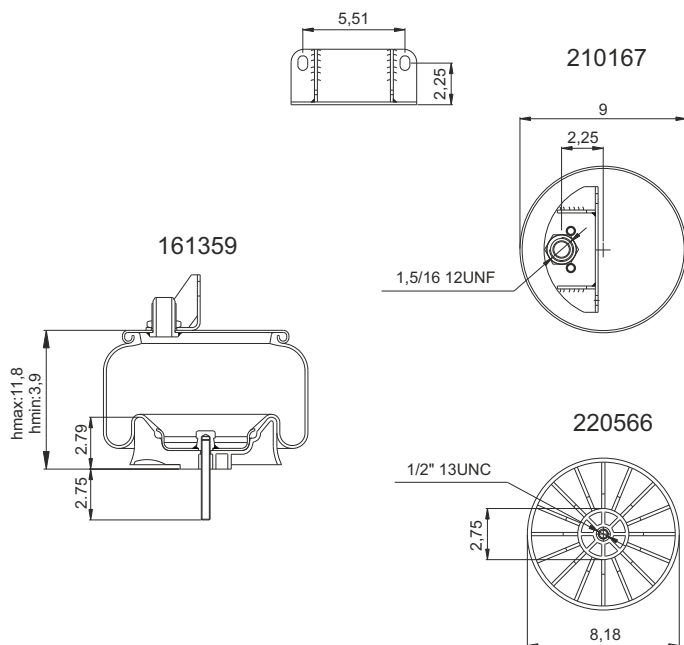
## Cross References

FS.	1T15M-8 W01-358-9663
CT.	9 10-18.5 P 939
AUTOMANN	1DK23M-9663

## OEM

HENDRICKSON	60271-2
-------------	---------

## 199675-CP



(Composite Piston)

### Cross References

FS. 1T15LA-0  
W01-358-9675  
CI. 9 9-10 P 576 (BK)  
AUTOMANN 1DK20H-9675X

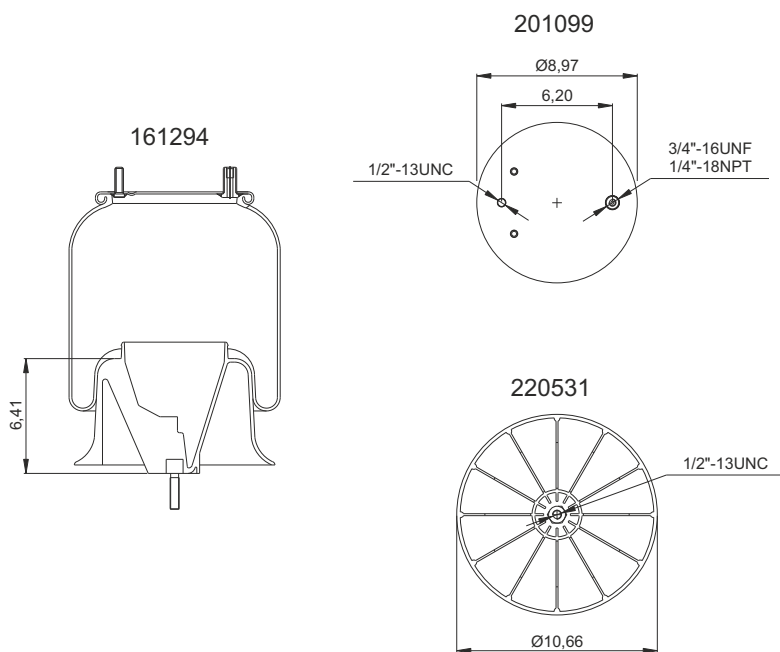
### OEM

KENWORTH K-303-28



Order No	Weight (kg)	Weight (lbs)	QIP (pcs)	Remarks
161359	5,02	11,07	40	

## 199780-CP



(Composite Piston)

### Cross References

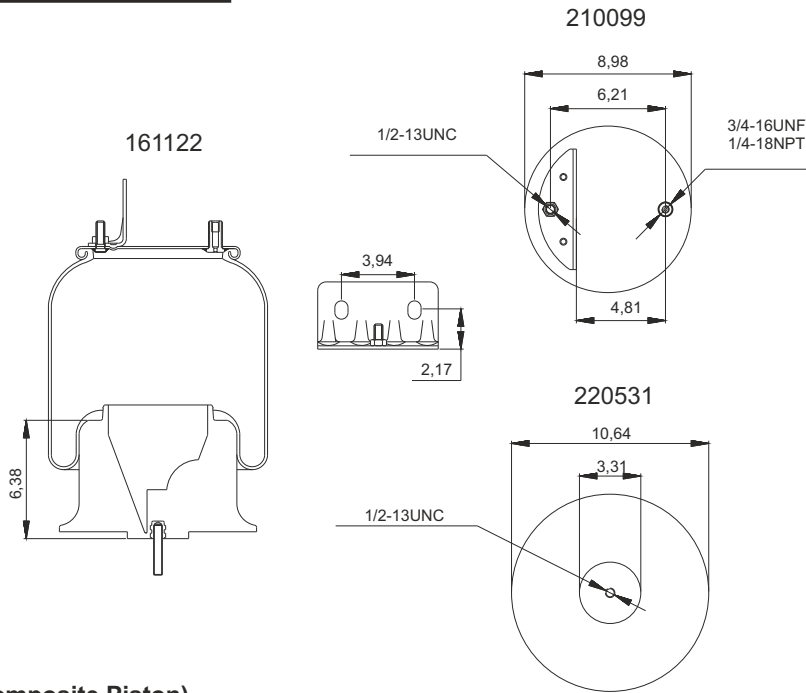
FS. 1T15ZR-6  
W01-358-9780  
GY. 1R12-186  
1R12-189  
1R12-303  
1R12-603  
CI. 9 10 S-16 P 382  
AT 32303 KPP  
AUTOMANN 1DF23-9780  
TRIANGLE 8382P  
FLEET PRIDE AS9780

### OEM

FREIGHTLINER A 16-15595-000  
16-14004-000  
16-13840-000  
A16-14004-000  
681-320-0017  
16-13810-000  
16-16773-000  
LOADGUARD SC2750  
FLEETRITE FLT1R12303  
VOLVO 85101151

Order No	Weight (kg)	Weight (lbs)	QIP (pcs)	Remarks
161294	5,40	11,90	36	Without Bracket

# 199780-CP



(Composite Piston)

Order No	Weight (kg)	Weight (lbs)	QIP (pcs)	Remarks
161122	6,00	13,22	36	With Bracket

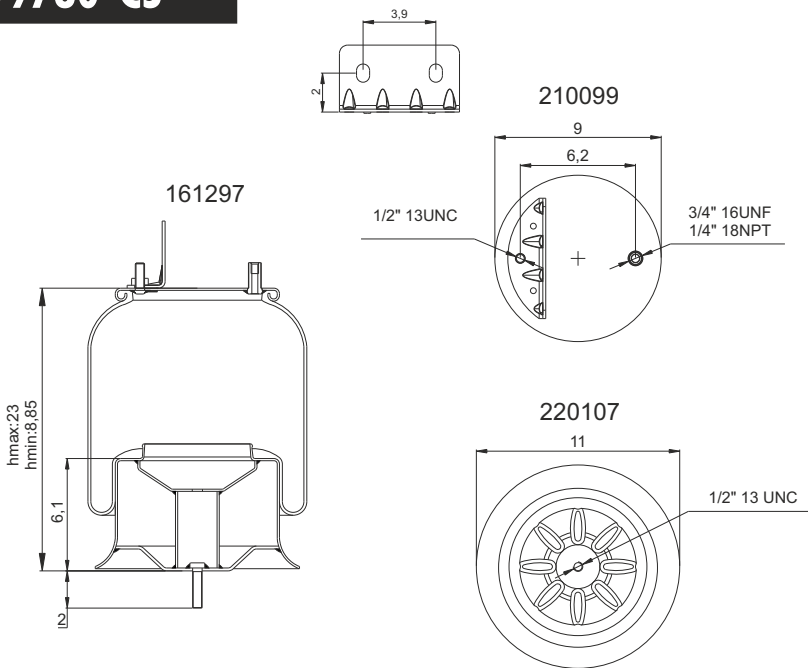
## Cross References

FS.	1T15ZR-6
	W01-358-9780
GY.	1R12-186
	1R12-189
	1R12-303
	1R12-603
CT.	9 10 S-16 P 382
AT.	32303 KPP
AUTOMANN	1DF23-9780
TRIANGLE	8382P
FLEET PRIDE	AS9780

## OEM

FREIGHTLINER	A 16-15595-000
	16-14004-000
	16-13840-000
	A16-14004-000
	681-320-0017
	16-13810-000
	16-16773-000
LOADGUARD	SC2750
FLEETRITE	FLT1R12303
VOLVO	85101151

# 199780-CS



(Steel Piston)

Order No	Weight (kg)	Weight (lbs)	QIP (pcs)	Remarks
161297	13,00	28,66	30	With Bracket

## Cross References

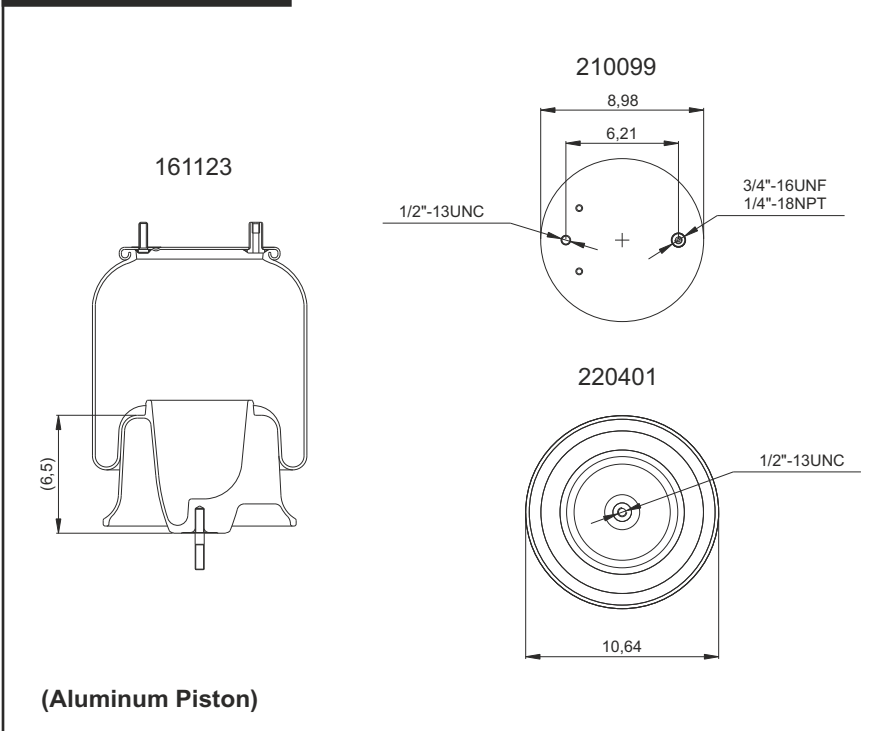
FS.	1T15ZR-6
	W01-358-9780
GY.	1R12-186
	1R12-189
	1R12-303
	1R12-603
CT.	9 10 S-16 P 382
AT.	32303 KPP
AUTOMANN	1DF23-9780
TRIANGLE	8382P
FLEET PRIDE	AS9780

## OEM

FREIGHTLINER	A 16-15595-000
	16-14004-000
	16-13840-000
	A16-14004-000
	681-320-0017
	16-13810-000
	16-16773-000
LOADGUARD	SC2750
FLEETRITE	FLT1R12303
VOLVO	85101151



# 199781-CALU



(Aluminum Piston)

Order No	Weight (kg)	Weight (lbs)	QIP (pcs)	Remarks
161123	6,44	14,20	36	Without Bracket

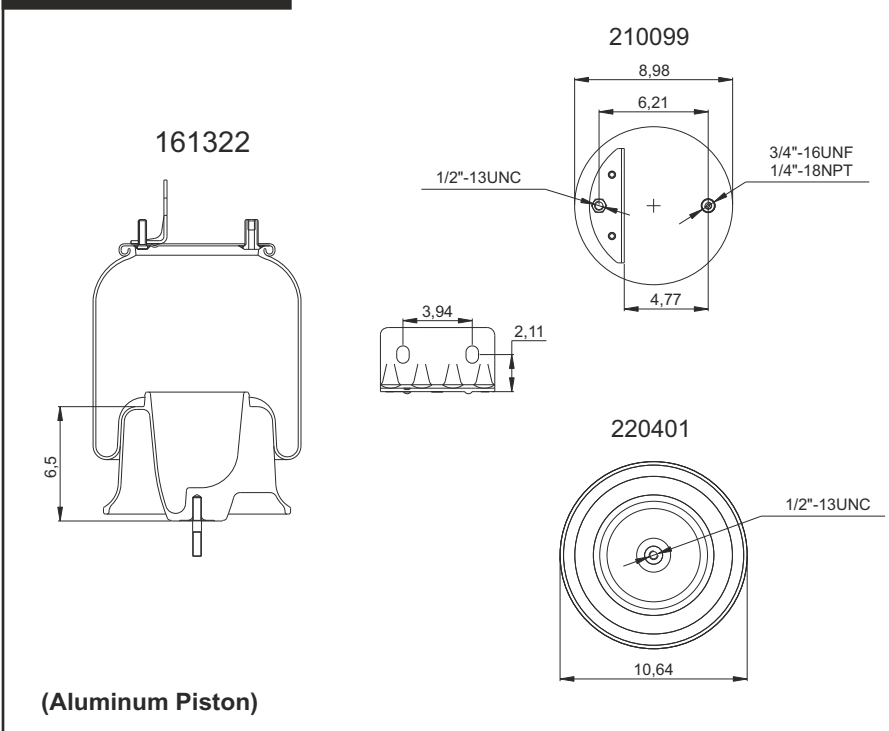
## Cross References

FS.	1T15ZR-6
	W01-358-9781
GY.	1R12-603
CT.	9 10S-16 A 382
AT.	39781 K ALU
AUTOMANN	1DF23-9781
TRIANGLE	8382
FLEET PRIDE	AS9781

## OEM

FREIGHTLINER	16-15595-000
	16-14004-000
	16-13840-000
	A16-14004-000
	681-320-0017
	16-13810-000
	16-16773-000
LOADGUARD	SC2750
VOLVO	85101151

# 199781-CALU



(Aluminum Piston)

Order No	Weight (kg)	Weight (lbs)	QIP (pcs)	Remarks
161322	7,04	15,52	36	With Bracket

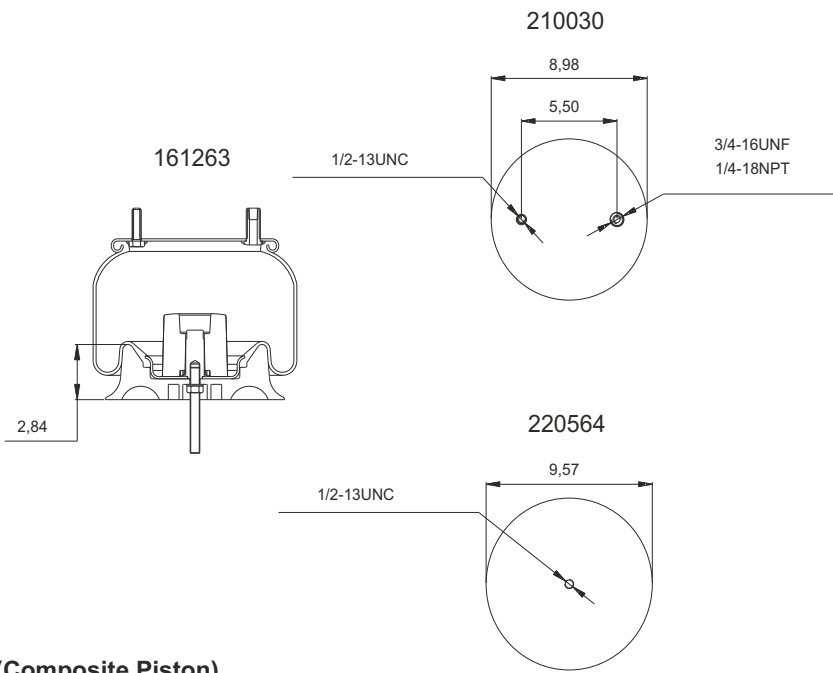
## Cross References

FS.	1T15ZR-6
	W01-358-9781
GY.	1R12-603
CT.	9 10S-16 A 382
AUTOMANN	1DF23-9781
TRIANGLE	8382
FLEET PRIDE	AS9781

## OEM

FREIGHTLINER	16-15595-000
	16-14004-000
	16-13840-000
	A16-14004-000
	681-320-0017
	16-13810-000
	16-16773-000
LOADGUARD	SC2750
VOLVO	85101151

# 199807-CP



(Composite Piston)

Order No	Weight (kg)	Weight (lbs)	QIP (pcs)	Remarks
161263	4,62	10,19	40	

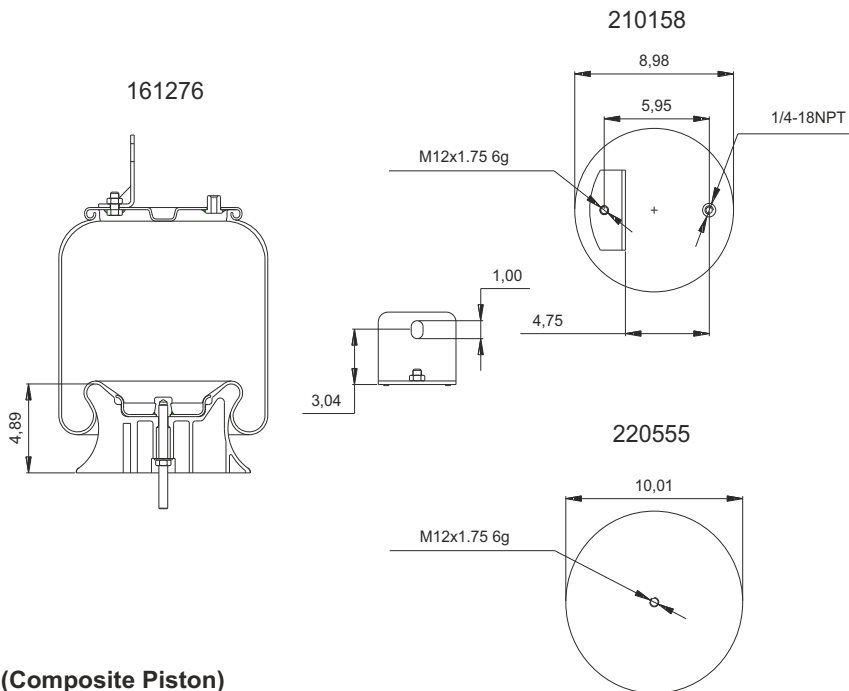
## Cross References

FS.	W01-358-9807
GY.	9 10-13.5 P 874
AUTOMANN	1DK23I-9807
TRIANGLE	8874
FLEET PRIDE	AS9807

## OEM

SAF HOLLAND (NEWAY)	90557372
	50857000
	90557363

# 199875-CP



(Composite Piston)

Order No	Weight (kg)	Weight (lbs)	QIP (pcs)	Remarks
161276	10,00	22,05	28	

## Cross References

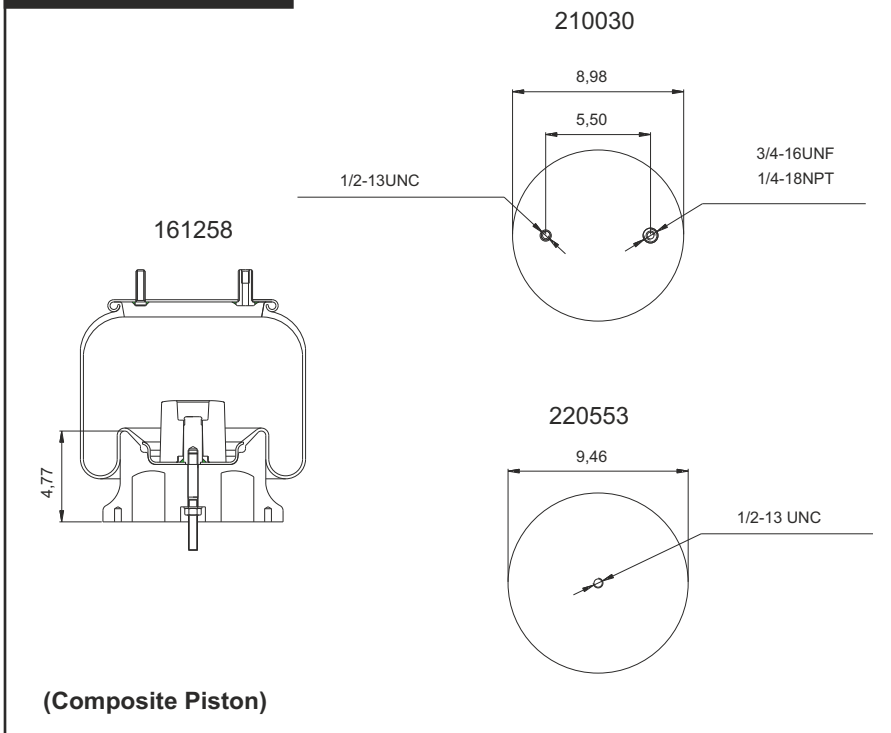
FS.	W01-358-9875
GY.	1R12-432
CT.	9 10B-19.5 P 889 (BK)
AUTOMANN	1DK23R-1731
FLEET PRIDE	AS9875

## OEM

NAVISTAR	3541731C1
----------	-----------



# 199921-CP



## Cross References

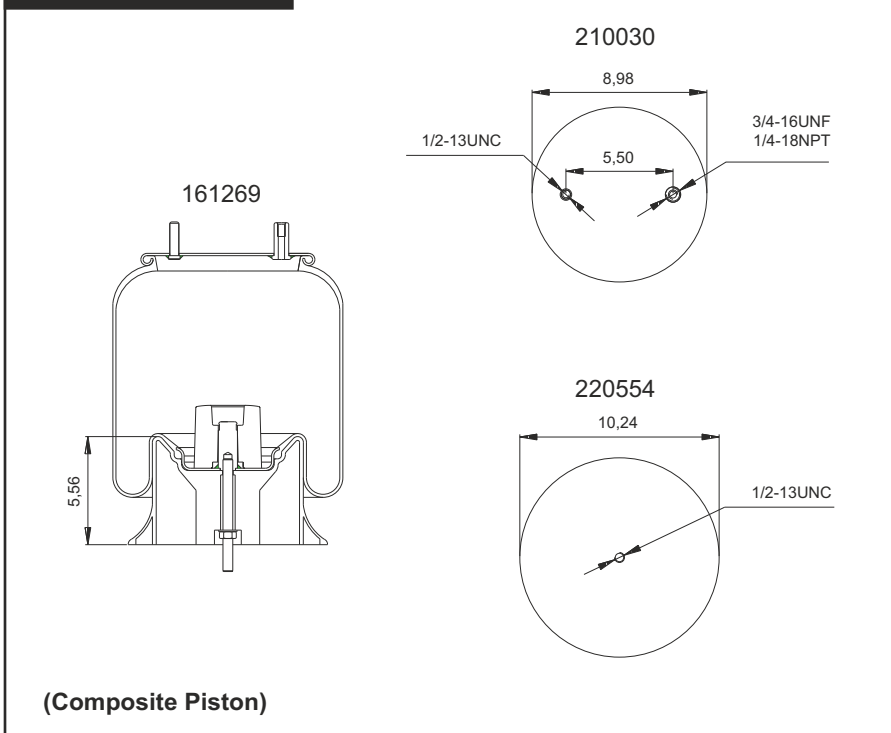
FS.	1T15M-7.5 W01-358-9921
GY.	1R12-502
CI.	9 10-17.5 P 443
AT.	39921 KPP
AUTOMANN	1DK23P-9921
TAURUS	6391
TRIANGLE	8443
FLEET PRIDE	AS9921

## OEM

SAF HOLLAND (NEWAY) 90557117  
WATSON / CHALIN AS-0090

Order No	Weight (kg)	Weight (lbs)	QIP (pcs)	Remarks
161258	7,80	17,20	38	

# 199923-CP



## Cross References

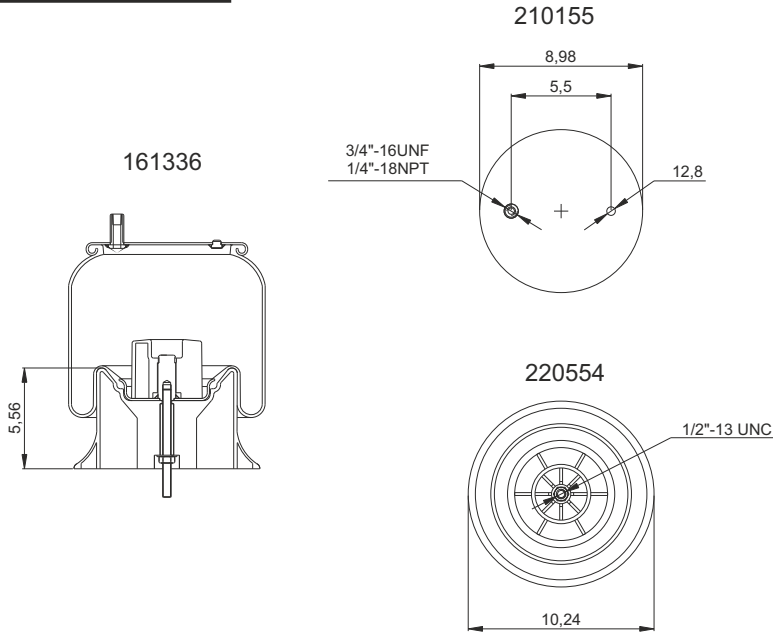
FS.	1T15M-7.5 W01-358-9923
GY.	1R12-481 1R12-533
CI.	9 10-17.5 P 429
AT.	39923 KPP
AUTOMANN	1DK23P-9923
TAURUS	6391
TRIANGLE	8429
FLEET PRIDE	AS9923

## OEM

SAF HOLLAND (NEWAY) 90557118

Order No	Weight (kg)	Weight (lbs)	QIP (pcs)	Remarks
161269	6,40	14,11	36	

## 199935-CP



(Composite Piston)

Order No	Weight (kg)	Weight (lbs)	QIP (pcs)	Remarks
161336	6,00	13,22	42	

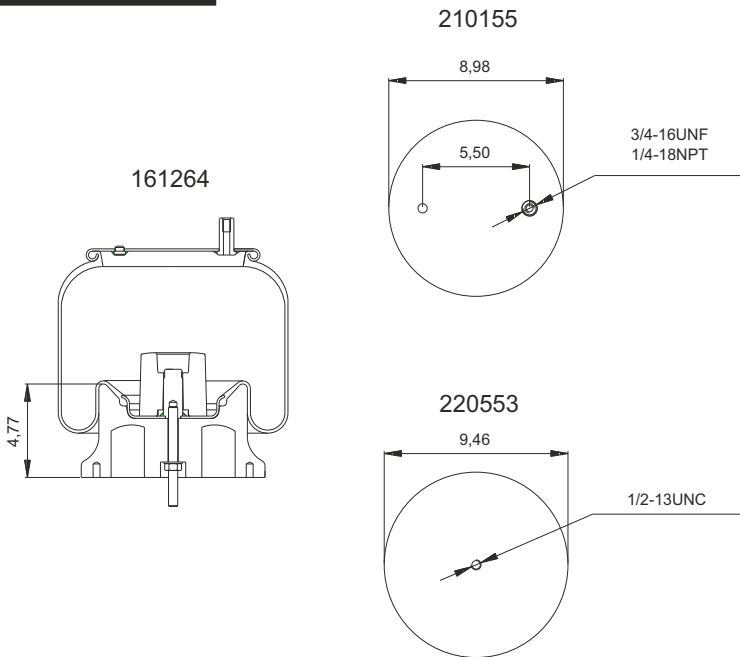
### Cross References

FS.	1T15M-7.5 W01-358-9935
GY.	1R12-532
CT.	9 10-17.5 P 548
AUTOMANN	1DK23P-9935
TAURUS	6391
TRIANGLE	8548
FLEET PRIDE	AS9935

### OEM

SAF HOLLAND (NEWAY)	90557157 90557301
---------------------	----------------------

## 199936-CP



(Composite Piston)

Order No	Weight (kg)	Weight (lbs)	QIP (pcs)	Remarks
161264	7,80	17,20	28	

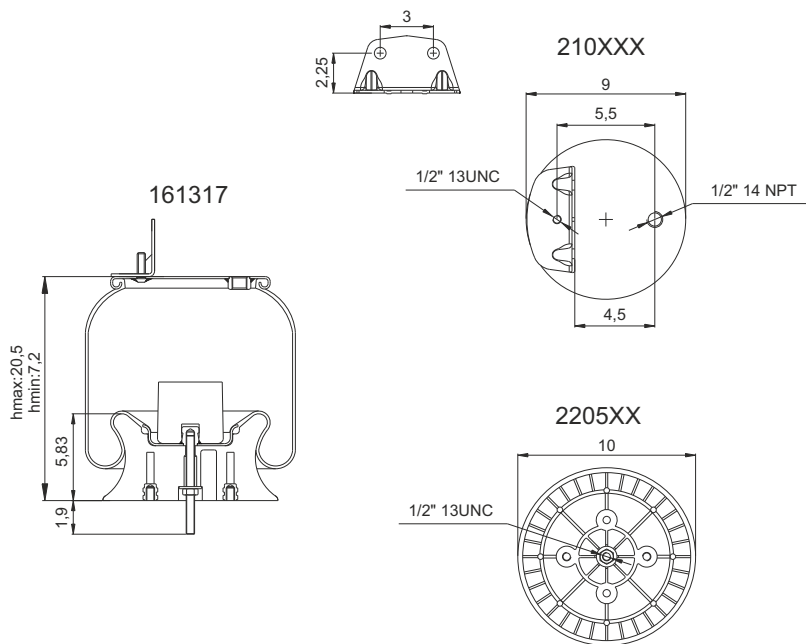
### Cross References

FS.	1T15M-7.5 W01-358-9936
GY.	1R12-499
CT.	9 10-17.5 P 454
AUTOMANN	1DK23P-9936
TAURUS	6391
TRIANGLE	8454
FLEET PRIDE	AS9936

### OEM

SAF HOLLAND (NEWAY)	90557156 90557300
---------------------	----------------------

# 199966-CP



(Composite Piston)

Order No	Weight (kg)	Weight (lbs)	QIP (pcs)	Remarks
161317	6,80	14,99	28	

## Cross References

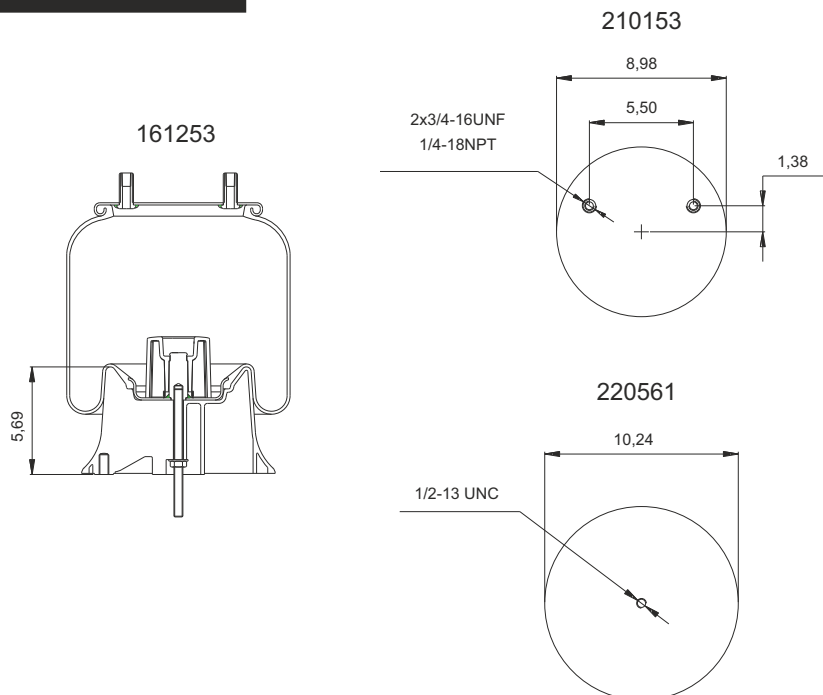
FS.	1T15M-6 W01-358-9966
CI	9 10-17.5 P 731
AUTOMANN	1DK23P-9966

## OEM

REYCO	20124-02 (1/2 NPT) 20124-01 20124-01K (1/4NPT) (Use 1/2 to 1/4 NPT adaptor)
-------	--------------------------------------------------------------------------------------



# 199974-CP



(Composite Piston)

Order No	Weight (kg)	Weight (lbs)	QIP (pcs)	Remarks
161253	7,80	17,20	28	

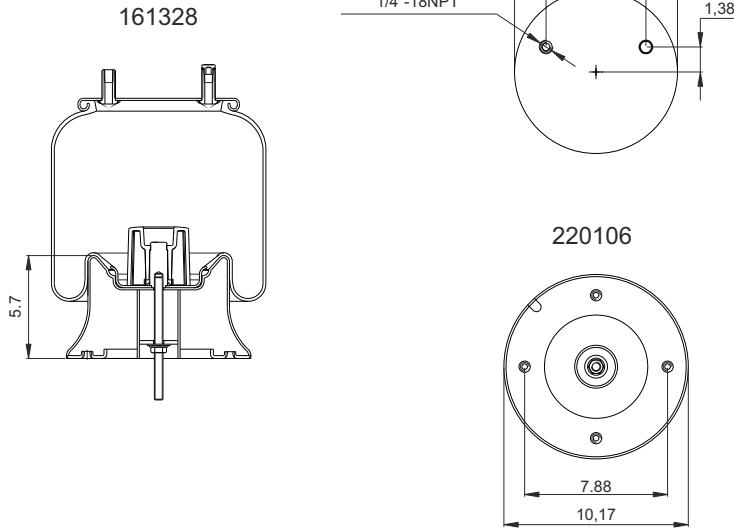
## Cross References

FS.	1T15M-7.5 W01-358-9974
CI	9 10-17.5 A 930
AUTOMANN	1DK23P-9974
FLEET PRIDE	AS9974

## OEM

SAF HOLLAND (NEWAY)	90557332
---------------------	----------

## 19974-CS



(Steel Piston)

Order No	Weight (kg)	Weight (lbs)	QIP (pcs)	Remarks
161328	10,00	22,05	28	

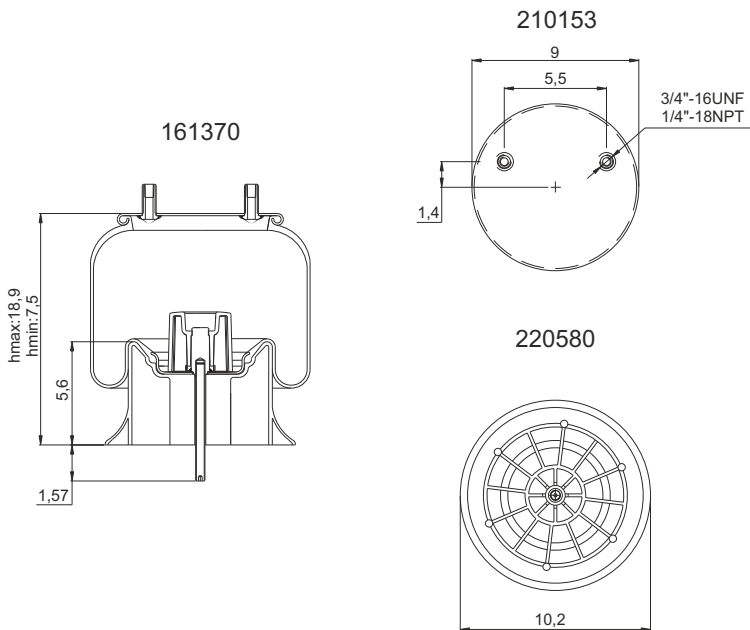
### Cross References

FS.	1T15M-7.5 W01-358-9974
CT	9 10-17.5 A 930
AUTOMANN	1DK23P-9974
FLEET PRIDE	AS9974

### OEM

SAF HOLLAND (NEWAY) 90557332

## 19978-CP



(Composite Piston)

Order No	Weight (kg)	Weight (lbs)	QIP (pcs)	Remarks
161370	6,70	14,77	45	

### Cross References

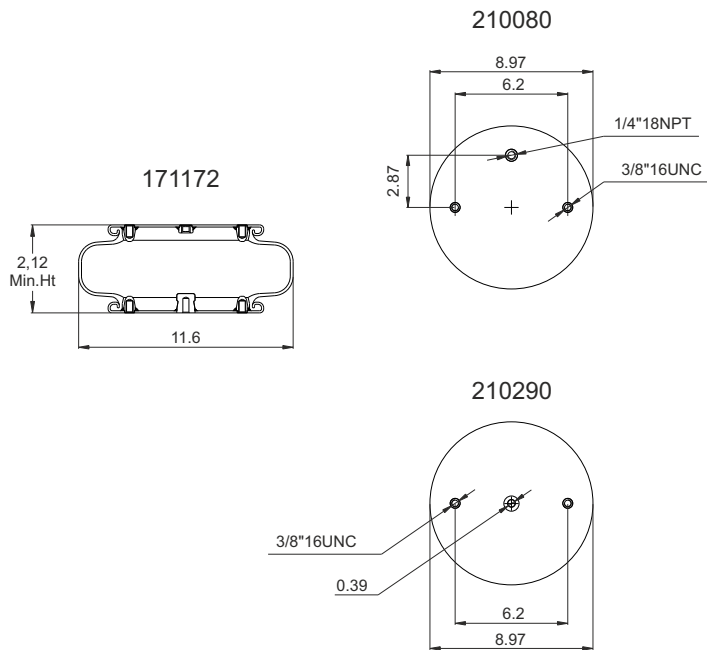
FS.	1T15M-4 W01-358-9978
CT	9 10-14 A 959
AUTOMANN	1DK23I-A959
FLEET PRIDE	AS9978

### OEM

HENDRICKSON S-28929



# SC 197008



Order No	Weight (kg)	Weight (lbs)	QIP (pcs)	Remarks
171172	4,26	9,39	200	

## Cross References

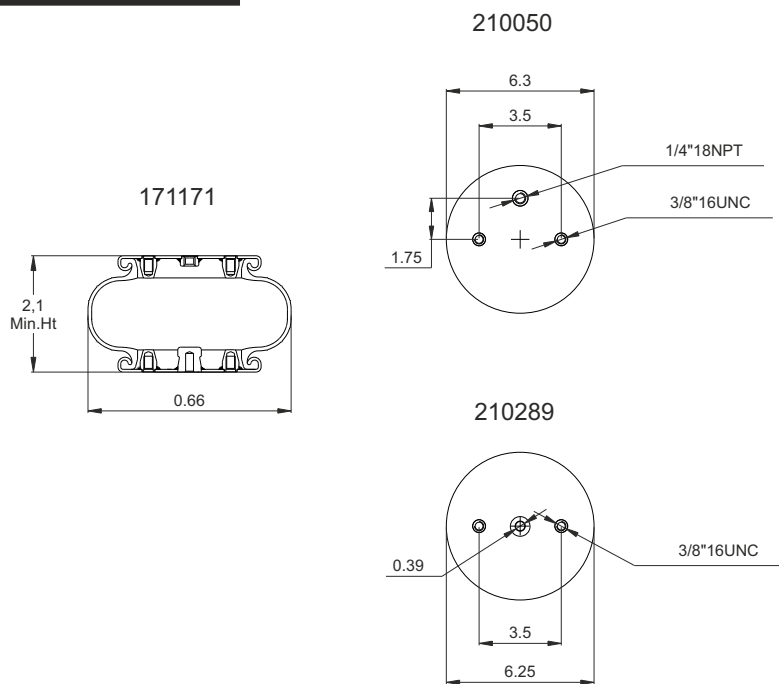
FS. 19  
W01-358-7008  
GY. 1B12-313

## OEM

SAF HOLLAND (NEWAY) 90557226



# SC 197460



Order No	Weight (kg)	Weight (lbs)	QIP (pcs)	Remarks
171171	2,50	5,51	200	

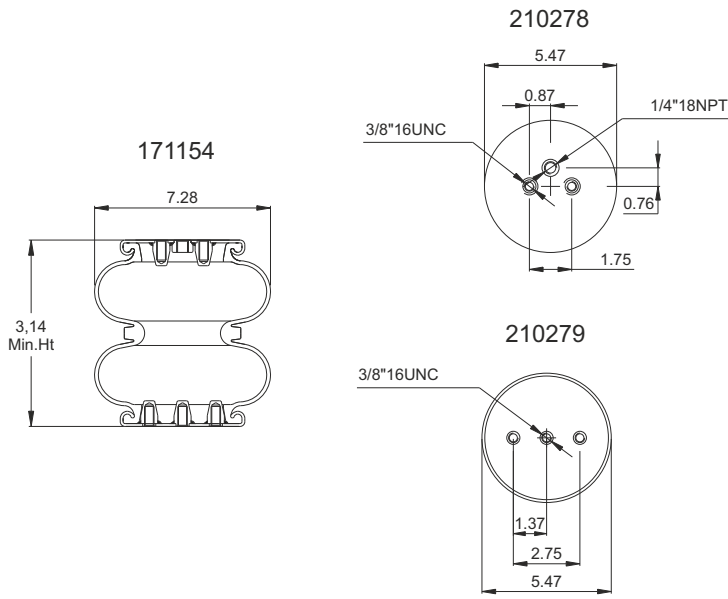
## Cross References

FS. 115  
W01-358-7460  
GY. 1B9-202

## OEM



## DC 180-15



Order No	Weight (kg)	Weight (lbs)	QIP (pcs)	Remarks
171154	2,75	6,06	168	

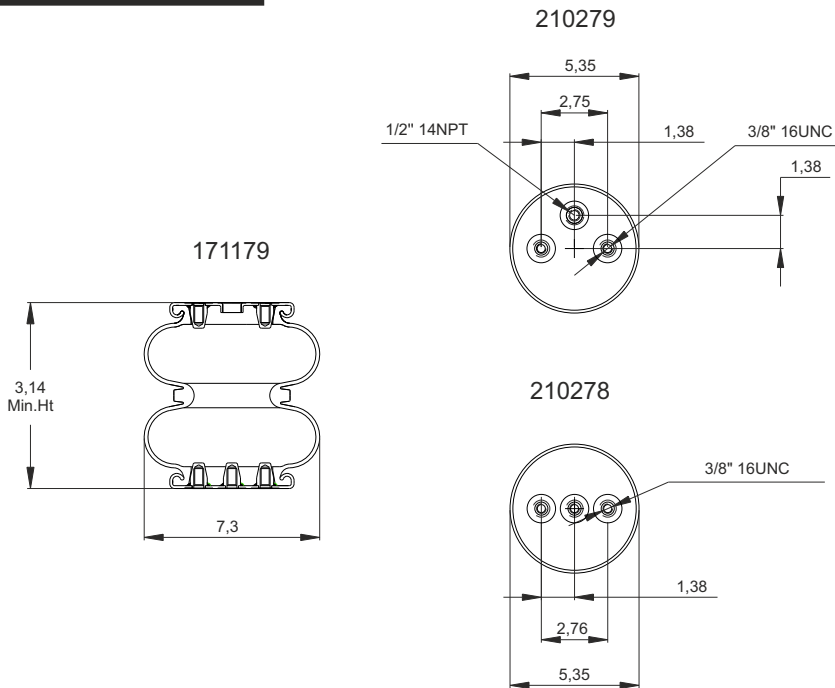
### Cross References

CL AS FD 110-15 882 CT

### OEM



## DC 180-16



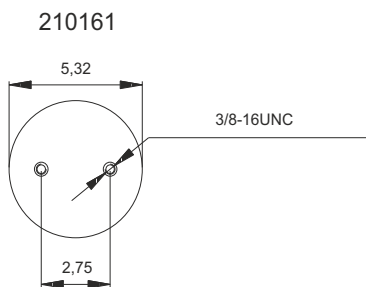
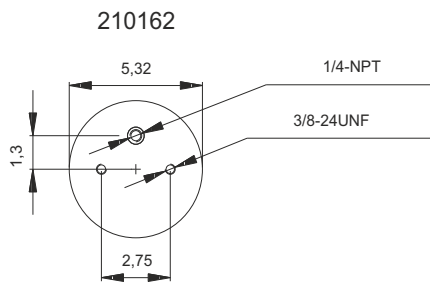
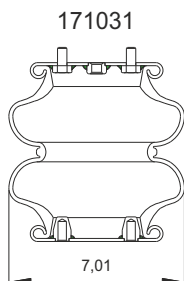
Order No	Weight (kg)	Weight (lbs)	QIP (pcs)	Remarks
171179	2,12	4,67	168	

### Cross References

### OEM



## DC 190335



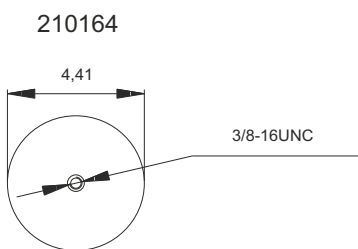
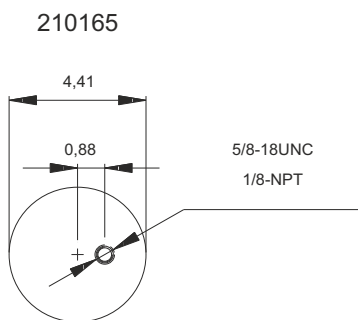
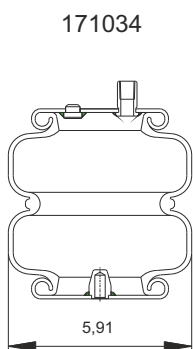
### Cross References

FS. W21-760-0335

### OEM

Order No	Weight (kg)	Weight (lbs)	QIP (pcs)	Remarks
171031	1,90	4,19		

## DC 196397



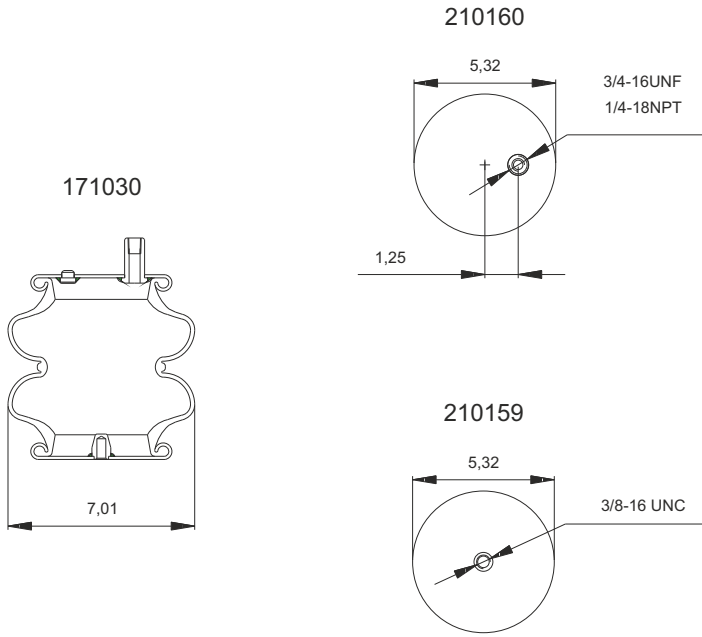
### Cross References

FS. W21-760-6397

### OEM

Order No	Weight (kg)	Weight (lbs)	QIP (pcs)	Remarks
171034	1,55	3,42		

## DC 196401



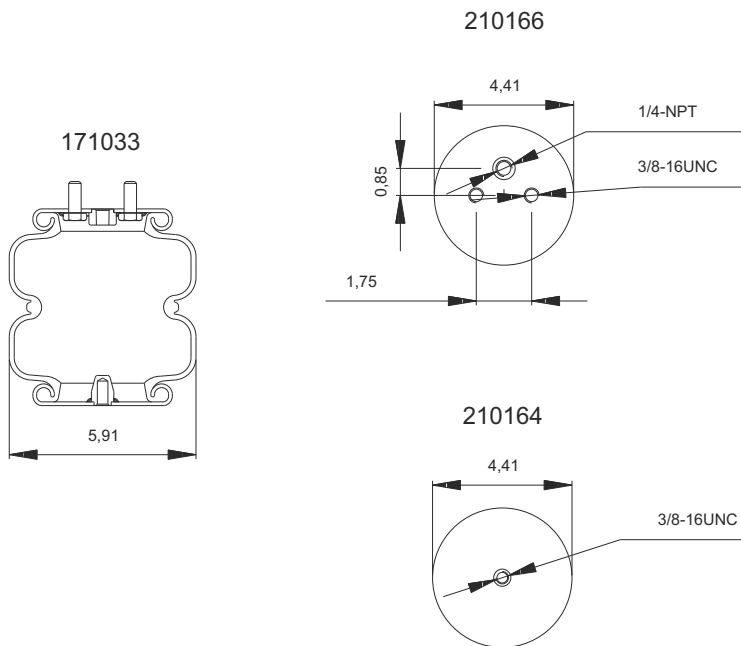
Order No	Weight (kg)	Weight (lbs)	QIP (pcs)	Remarks
171030	1,90	4,19		

### Cross References

FS. W21-760-6401

### OEM

## DC 196781



Order No	Weight (kg)	Weight (lbs)	QIP (pcs)	Remarks
171033	1,55	3,42		

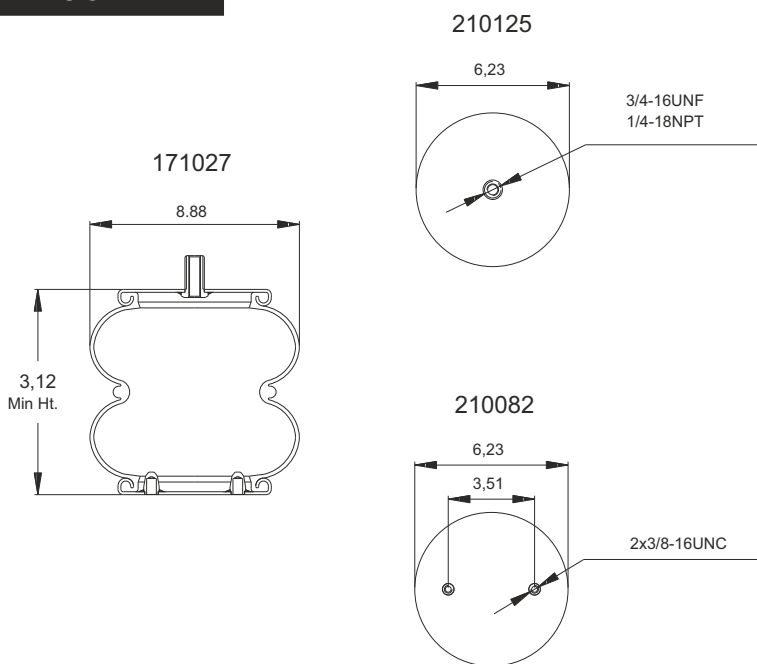
### Cross References

FS. W21-760-6781

### OEM



## DC 196897



### Cross References

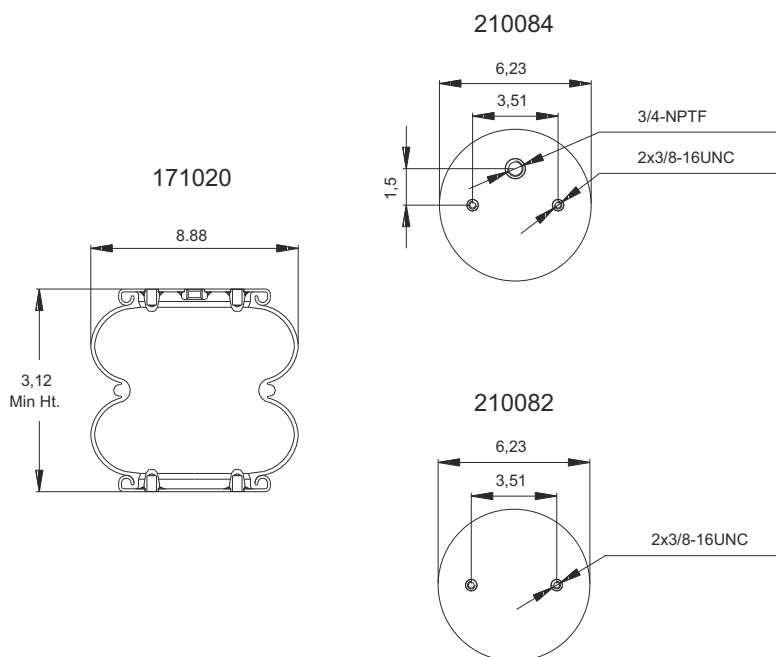
FS.	20F
	W01-358-6897
GY.	2B9-229
CT.	FD 200-19 505
AT.	2B-220
	113026
AUTOMANN	SP2B12R-6897
TAURUS	6325
TRIANGLE	4505
FLEET PRIDE	AS6897

### OEM

WATSON / CHALIN AS-0058

Order No	Weight (kg)	Weight (lbs)	QIP (pcs)	Remarks
171027	7,00	15,43	72	

## DC 196900



### Cross References

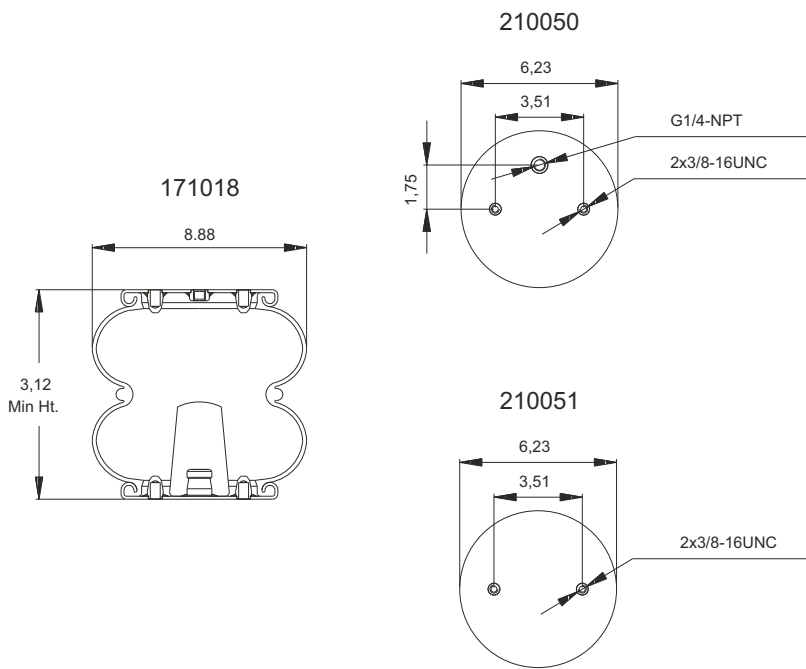
FS.	20CT
	W01-358-6900
CT.	FD 200-19 319
AUTOMANN	SP2B12R-6900
TRIANGLE	4319

### OEM

RIDEWELL 1003586900C

Order No	Weight (kg)	Weight (lbs)	QIP (pcs)	Remarks
171020	2,93	6,46	100	

## DC 196902



Order No	Weight (kg)	Weight (lbs)	QIP (pcs)	Remarks
171018	2,93	6,46	100	

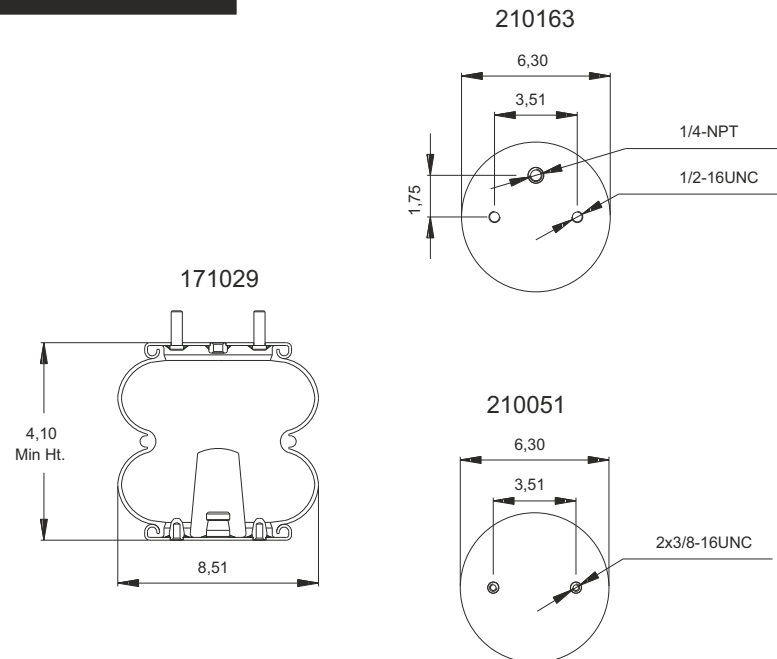
### Cross References

FS.	20F
	W01-358-6902
GY	2B9-201
	2B9-239
CT.	FD 200-19 310
AT.	2B-220
	113027
AUTOMANN	SP2B12R-6902
TAURUS	6325
TRIANGLE	4310
FLEET PRIDE	AS6902

### OEM

HENDRICKSON	S2630
LOADGUARD	SC2010
NAVISTAR	554784C1
RIDEWELL	1003586902C
SAF HOLLAND (NEWAY)	57006902
WATSON / CHALIN	AS-0002

## DC 196905



Order No	Weight (kg)	Weight (lbs)	QIP (pcs)	Remarks
171029	3,26	7,19	100	

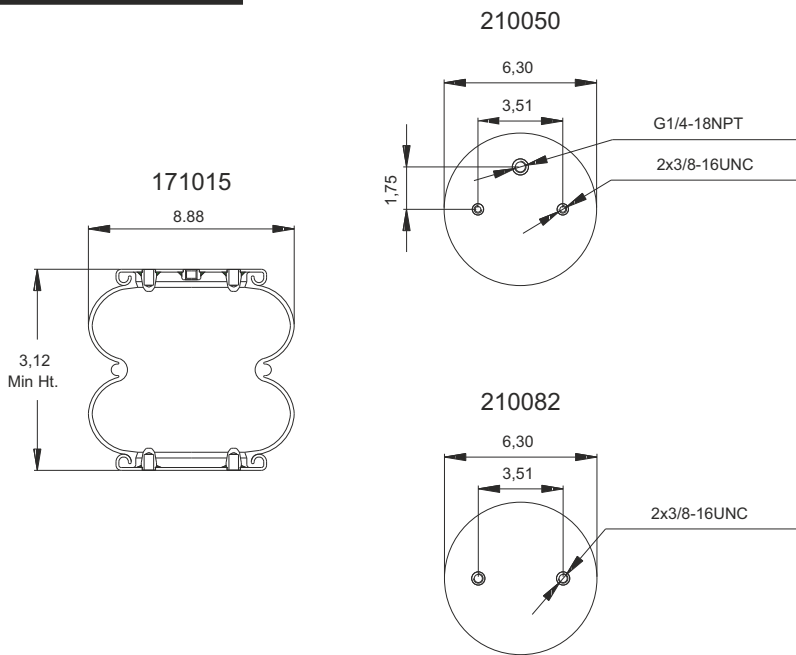
### Cross References

FS.	20F
	W01-358-6905
GY	2B9-206
CT.	FD 200-19 315
AT.	2B-220
	113028
AUTOMANN	SP2B12R-6905
TAURUS	6325
TRIANGLE	4315
FLEET PRIDE	AS6905

### OEM

DAYTON	354-6905
HENDRICKSON	S3518
	S5270
	45843-1
LOADGUARD	SC2071
NAVISTAR	1685175C1
RIDEWELL	1003586905C
SAF HOLLAND (NEWAY)	57006905
SPRING VALLEY	AS-4315
VOLVO	85101146
WATSON / CHALIN	AS-0020

# DC 196910



## Cross References

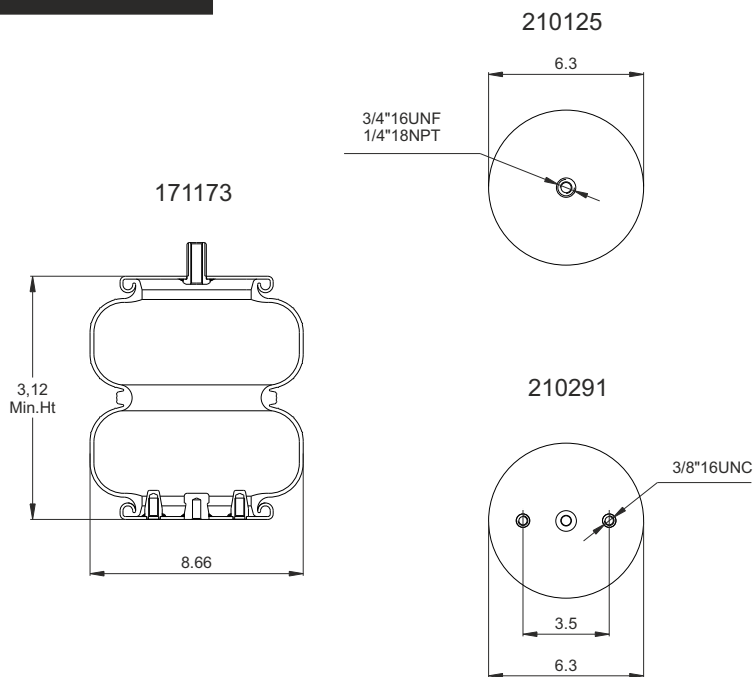
FS.	20CT
	W01-358-6910
GY.	2B9-200
CT.	FD 200-19 320
AT.	2B-220
	113017
AUTOMANN	SP2B12R-6910
TAURUS	6325
TRIANGLE	4320
FLEET PRIDE	AS6910

## OEM

DAYTON	354-6910
HENDRICKSON	58768
	45843-3
LOADGUARD	SC2011
NAVISTAR	554783C1
RIDEWELL	1003586910C
SAF HOLLAND (NEWAY)	57006910
WATSON / CHALIN	AS-0001

Order No	Weight (kg)	Weight (lbs)	QIP (pcs)	Remarks
171015	2,93	6,46	100	

# DC 196927



## Cross References

FS.	20-2
	W01-358-6927
GY.	2B9-218/578923206
CT.	FD 200-25 453
AUTOMANN	SP2B12RA-6927
TAURUS	6332
TRIANGLE	4453
FLEET PRIDE	AS6927

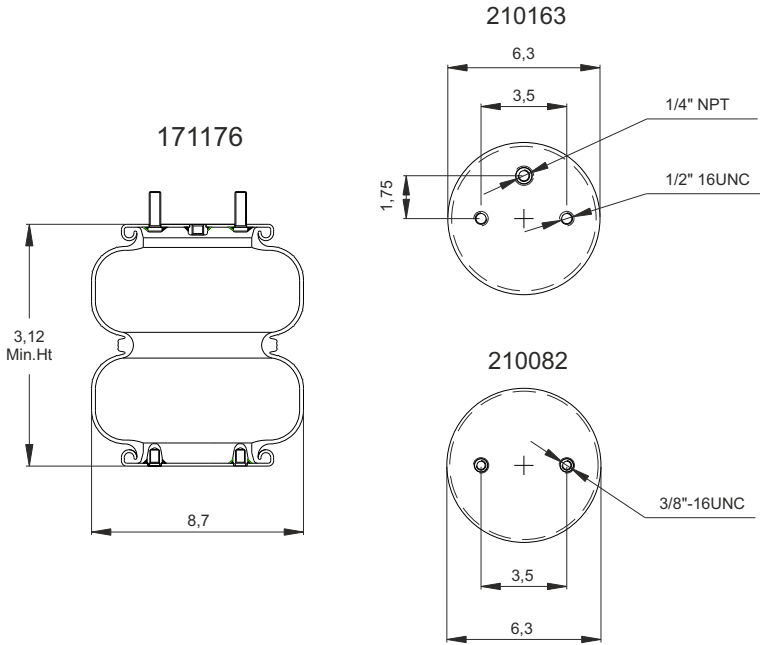
## OEM

LOADGUARD	SC2072
NAVISTAR	1685176C1
REYCO	12906-01
SAF HOLLAND (NEWAY)	57006927
TAURUS	AS218-6927

Order No	Weight (kg)	Weight (lbs)	QIP (pcs)	Remarks
171173	3,32	7,32	75	



## DC 196943



Order No	Weight (kg)	Weight (lbs)	QIP (pcs)	Remarks
171176	3,16	6,97	75	

### Cross References

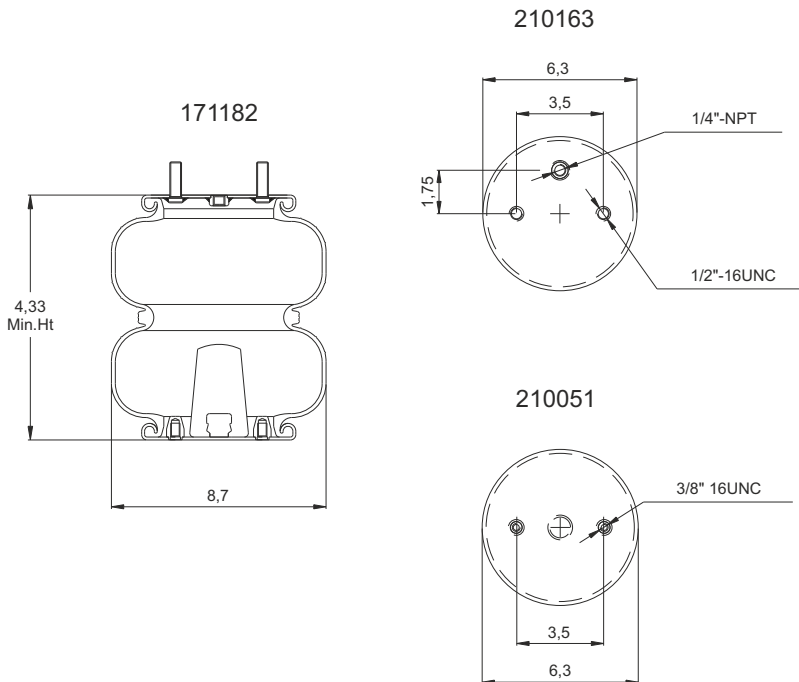
FS.	20-2
	W01-358-6927
GY	2B9-250
CT	FD 200-25 /426

### OEM

LOADGUARD	Sc2122
SAF HOLLAND (NEWAY)	90557237
SPRING VALLEY	AS-4426
WATSON / CHALIN	AS-0041



## DC 196948



Order No	Weight (kg)	Weight (lbs)	QIP (pcs)	Remarks
171182	3,44	7,58	60	

### Cross References

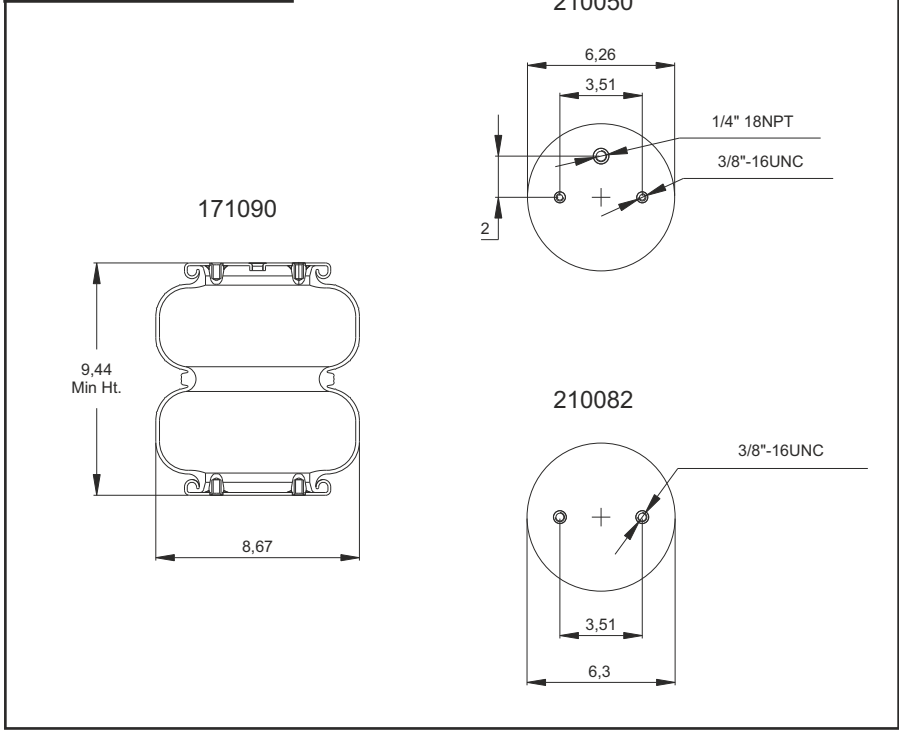
FS.	20-2
	W01-358-6948
GY	2B9-251
CT	FD 200-25 /429
AUTOMANN	SP2B12RA-6948
TAURUS	6332
TRIANGLE	4429
FLEET PRIDE	AS6948

### OEM

LOADGUARD	SC2123
RIDEWELL	1003586948C
SPRING VALLEY	AS-4429
WATSON / CHALIN	AS-01226



# DC 196951



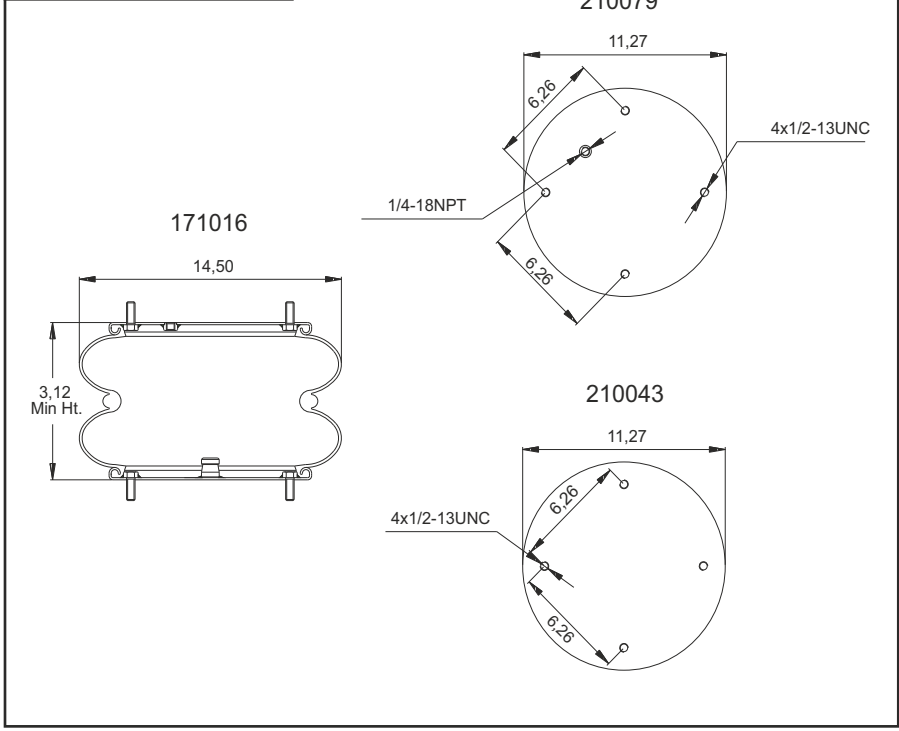
## Cross References

FS.	20-2
	W01-358-6951

## OEM

Order No	Weight (kg)	Weight (lbs)	QIP (pcs)	Remarks
171090	3,08	6,80	60	

# DC 197135



## Cross References

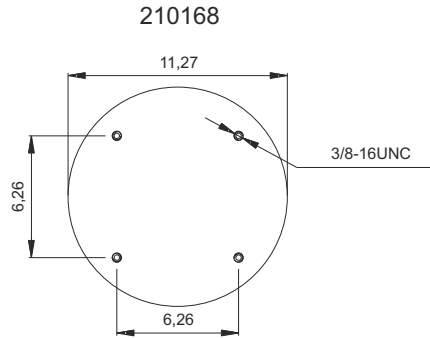
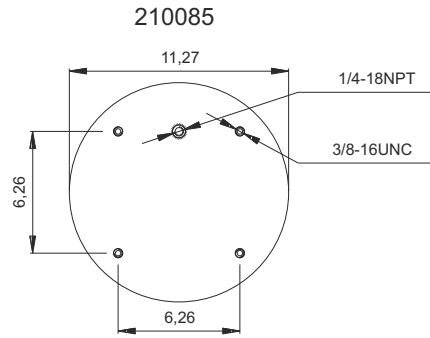
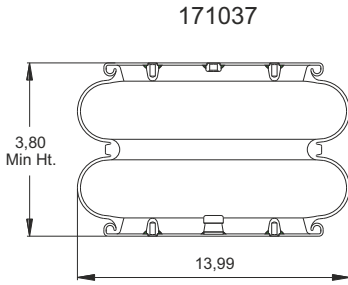
FS.	21D
	W01-358-7135
GY.	2B14-360
CI.	FD 530-22 311
AT.	2B-355
	113454
AUTOMANN	SP2B34R-7135
TAURUS	6329
TRIANGLE	4311
FLEET PRIDE	AS7135

## OEM

DAYTON	354-7135
HENDRICKSON	S12514-014
LOADGUARD	SC2013
NAVISTAR	554800C1
RIDEWELL	1003587135C
SAF HOLLAND (NEWAY)	90557001
	M0557003

Order No	Weight (kg)	Weight (lbs)	QIP (pcs)	Remarks
171016	9,37	20,66	50	

## DC 197136



Order No	Weight (kg)	Weight (lbs)	QIP (pcs)	Remarks
171037	9,00	19,84	50	

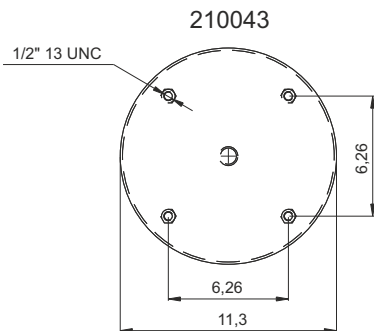
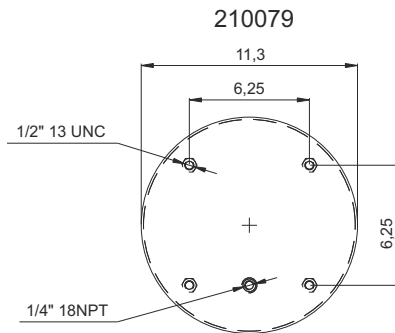
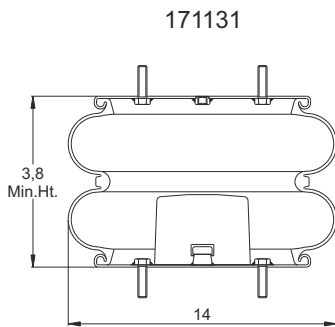
### Cross References

FS.	21D
	W01-358-7136
GY	2B14-356
CT	FD 530-22 321
AUTOMANN	SP2B34R-7136
TAURUS	6329
TRIANGLE	4321
FLEET PRIDE	AS7136

### OEM

DAYTON	354-7136
HENDRICKSON	S1080
LOADGUARD	SC2014
NAVISTAR	554798C1
RIDEWELL	1003587136C
SAF HOLLAND (NEWAY)	57007136
WATSON / CHALIN	AS-0004

## DC 197140



Order No	Weight (kg)	Weight (lbs)	QIP (pcs)	Remarks
171131	7,35	16,20	36	

### Cross References

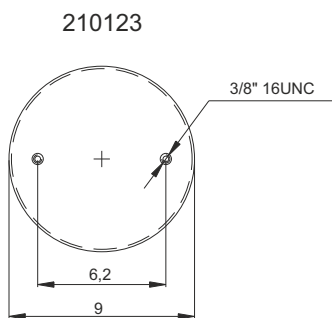
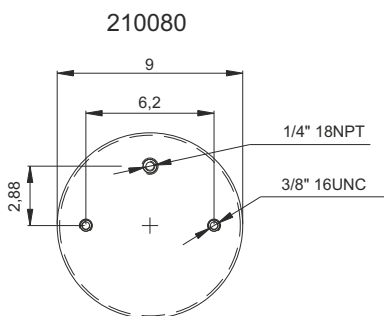
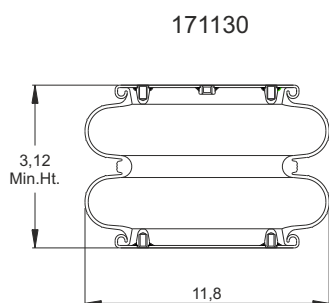
FS.	21D
	W01-358-7140
GY	2B14-359
AT.	2B- 355
	HYDN
	113464
AUTOMANN	SP2B34R-7140
TRIANGLE	4316
FLEET PRIDE	AS7140

### OEM

DAYTON	354-7140
GRANNING	1015
HENDRICKSON	S-3184
LOADGUARD	SC2015
NAVISTAR	554799C1
RIDEWELL	1003587140C
R&S TRUCK	1090214
SAF HOLLAND (NEWAY)	57007140
	90557257
WATSON / CHALIN	AS-0008



## DC 197180



### Cross References

FS.	22
	W01-358-7180
GY.	2B12-425
CI.	FD 330-22 363
AT.	2B - 301
	113490
AUTOMANN	SP2B22R-7180
TRIANGLE	4363
FLEET PRIDE	AS7180

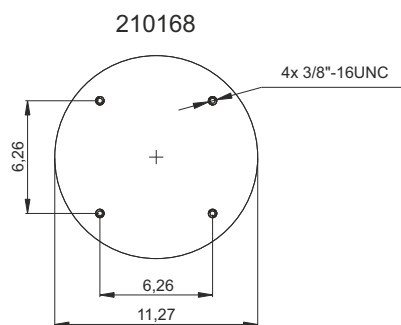
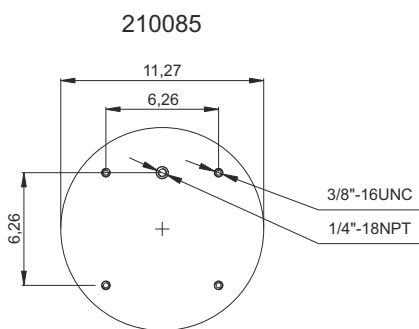
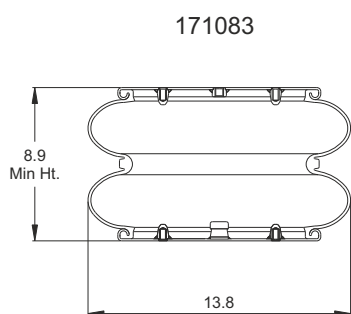
### OEM

EZ RIDE	8030190
LOADGUARD	SC2075
NAVISTAR	1685179C1
PEERLESS	0550-00001
RIDEWELL	1003587180C
SAF HOLLAND (NEWAY)	57007180
TAURUS	AS214-7180



Order No	Weight (kg)	Weight (lbs)	QIP (pcs)	Remarks
171130	5,80	12,79	60	

## DC 197208



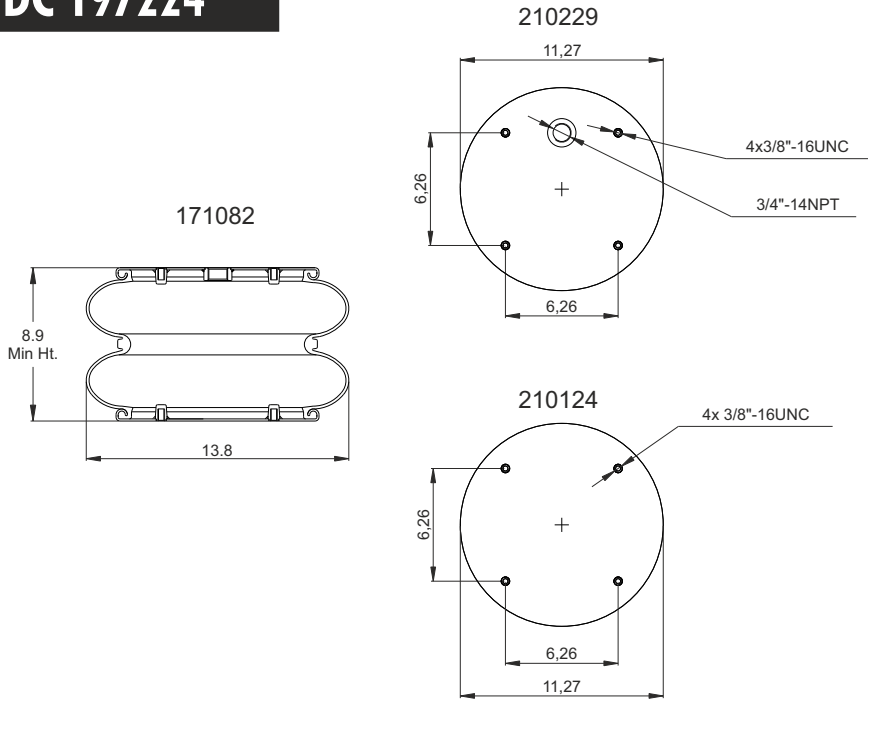
### Cross References

FS.	W01-358-7208
CI.	FD 530-22 CI
	61362
AT.	2B-355/HYD
	113461

### OEM

Order No	Weight (kg)	Weight (lbs)	QIP (pcs)	Remarks
171083	8,00	17,64	50	

# DC 197224



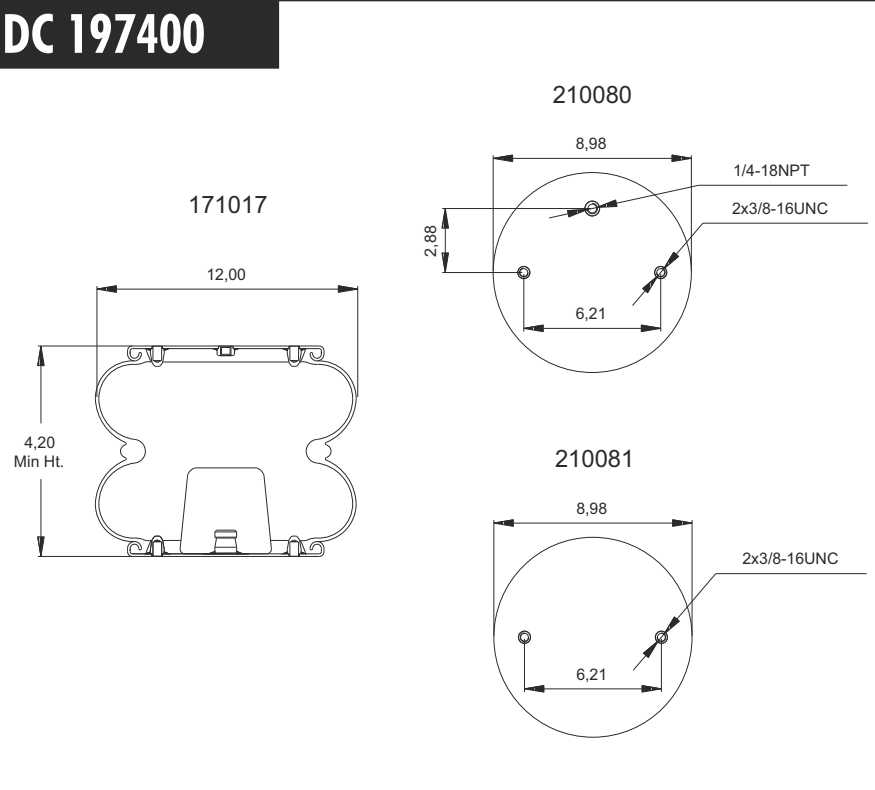
Order No	Weight (kg)	Weight (lbs)	QIP (pcs)	Remarks
171082	8,00	17,64	50	

## Cross References

FS.	W01-358-7224
CT.	FD 530-22 C1
	66512
AT.	2B-355/HYD
	113452

## OEM

# DC 197400



Order No	Weight (kg)	Weight (lbs)	QIP (pcs)	Remarks
171017	5,69	12,54	60	

## Cross References

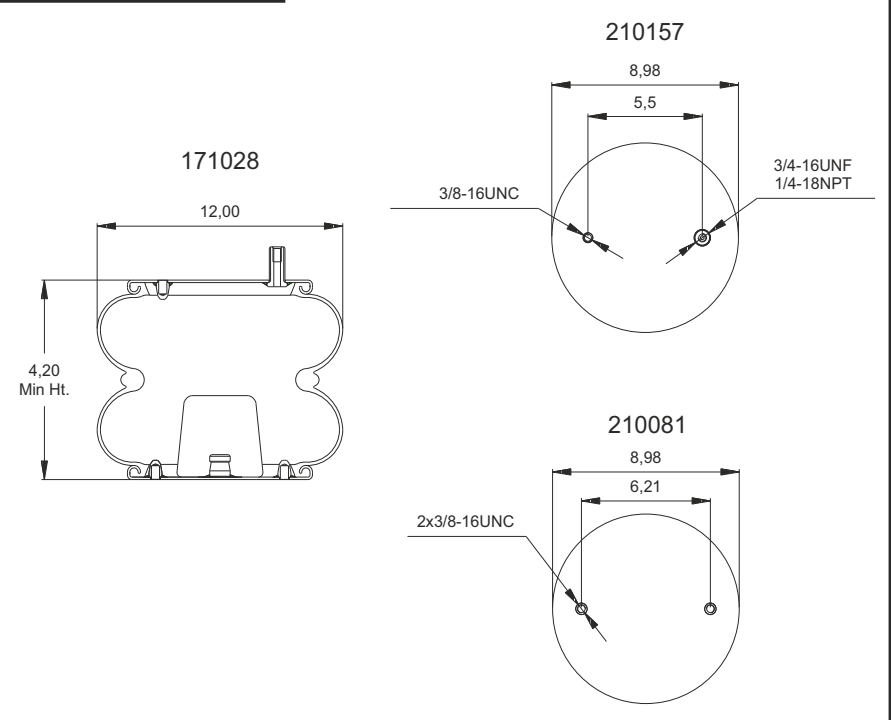
FS.	22C
	W01-358-7400
GY.	2B12-309
CT.	FD 330-22 313
AT.	2B-301
	113333
AUTOMANN	SP2B22R-7400
TAURUS	6316
TRIANGLE	4313
FLEET PRIDE	AS7400

## OEM

DAYTON	354-7400
FREIGHTLINER	16-10769-000
HENDRICKSON	S1013
LOADGUARD	SC2020
NAVISTAR	554788C1
RIDEWELL	1003587400C
SAF HOLLAND (NEWAY)	90557016
WATSON / CHALIN	AS-0003



## DC 197403



Order No	Weight (kg)	Weight (lbs)	QIP (pcs)	Remarks
171028	7,00	15,43	60	

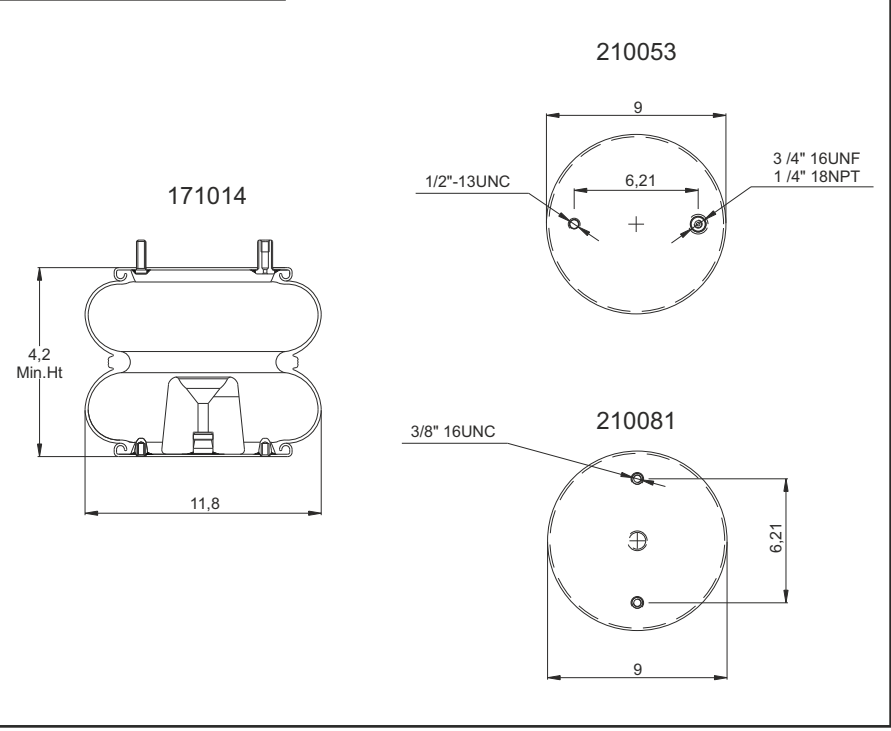
### Cross References

FS.	22C
	W01-358-7403
GY.	2B12-307
CT.	FD 330-22 318
AT.	2B-301
	113339
AUTOMANN	SP2B22R-7403
TAURUS	6316
TRIANGLE	4318
FLEET PRIDE	AS7403

### OEM

DAYTON	354-7403
HENDRICKSON	S1159
	S2883
	B12514-001
LOADGUARD	SC2021
NAVISTAR	554787C1
RIDEWELL	1003587403C
	S-4302C
SAF HOLLAND (NEWAY)	57007403
WATSON / CHALIN	AS-0007

## DC 197410



Order No	Weight (kg)	Weight (lbs)	QIP (pcs)	Remarks
171014	5,69	12,54	60	

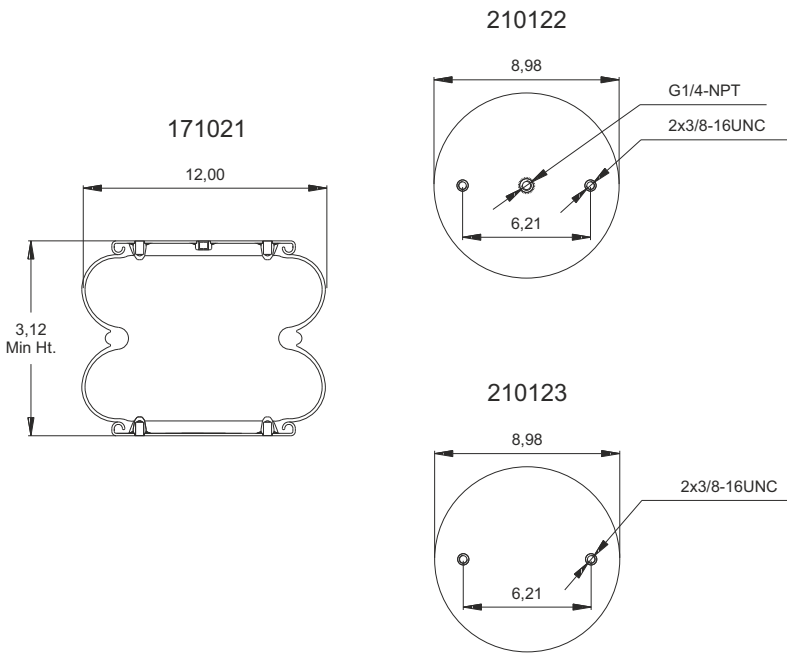
### Cross References

FS.	22C
	W01-358-7410
GY.	2B12-406
CT.	FD 330-22 331
AT.	2B-301
	113334
AUTOMANN	SP2B22R-7410
TAURUS	6316
TRIANGLE	4331
FLEET PRIDE	AS7410

### OEM

DAYTON	354-7410
FREIGHTLINER	16-11378-000
HENDRICKSON	S10170
LOADGUARD	SC2023
NAVISTAR	554792C1
SAF HOLLAND (NEWAY)	57007410
VOLVO	85101158

# DC 197443



Order No	Weight (kg)	Weight (lbs)	QIP (pcs)	Remarks
171021	5,69	12,54	70	

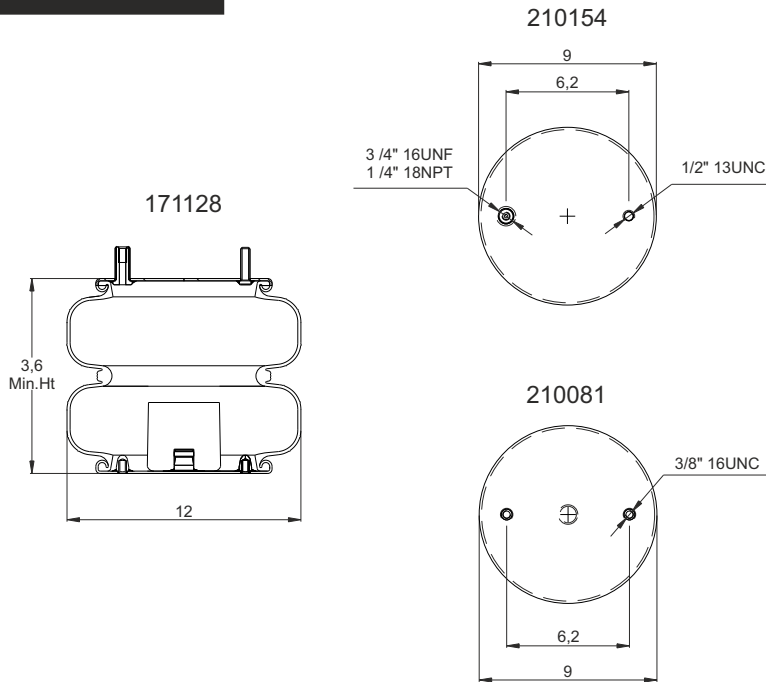
## Cross References

FS.	22C-1.5
	W01-358-7443
GY.	2B12-305
CT.	FD 330-30 323
AT.	2B-320
	113493
AUTOMANN	SP2B22RA-7443
TAURUS	6328
TRIANGLE	4323
FLEET PRIDE	AS7443

## OEM

DAYTON	354-7443
HENDRICKSON	S13035
LOADGUARD	SC2026
NAVISTAR	554786C1
RIDEWELL	1003587443C
	S-2683C
SAF HOLLAND (NEWAY)	57007443
WATSON / CHALIN	AS-0027

# DC 197550



Order No	Weight (kg)	Weight (lbs)	QIP (pcs)	Remarks
171128	6,55	14,44	50	

## Cross References

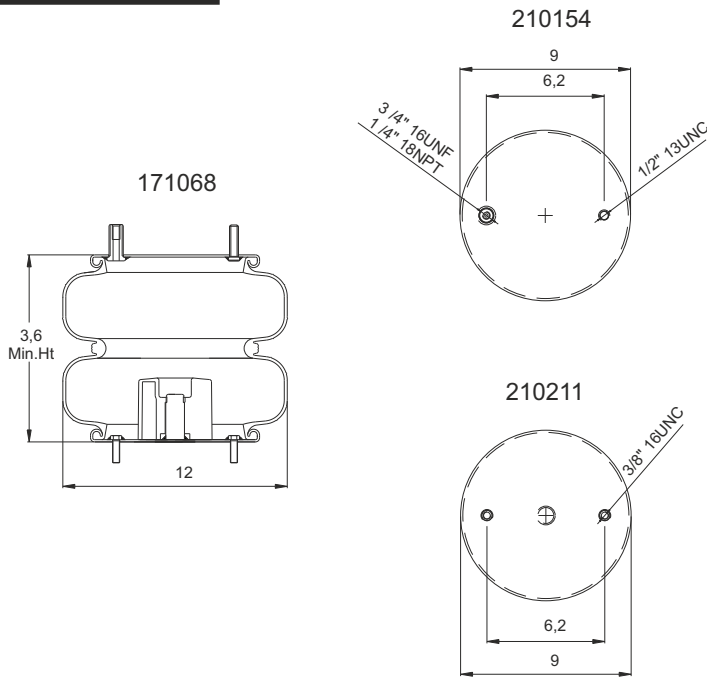
FS.	228-1.5
	W01-358-7550
GY.	2B12-346
CT.	FD 331-26 541
AT.	2B - 320
	113343
AUTOMANN	SP2B22RB-7550
TAURUS	6375
TRIANGLE	4541
FLEET PRIDE	AS7550

## OEM

HISTEER	10315
WATSON / CHALIN	AS-0087



## DC 197555



### Cross References

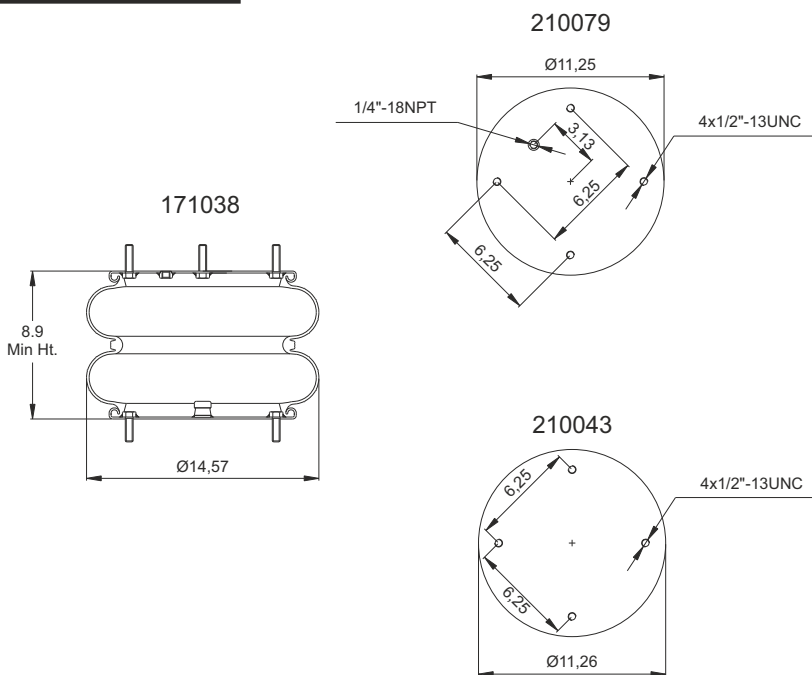
FS.	228-1,5
	W01-358-7555
GY.	2B12-440
CT.	FD 331-26 480
AT.	2B-320
	113341
AUTOMANN	SP2B22RB-7555
TAURUS	6375
TRIANGLE	4480
FLEET PRIDE	AS7555

### OEM

REYCO	18813-01
	20018-01
SAF HOLLAND (NEWAY)	XB-SPN-053-37 (BINKLEY)

Order No	Weight (kg)	Weight (lbs)	QIP (pcs)	Remarks
171068	6,58	14,50	50	

## DC 197782



### Cross References

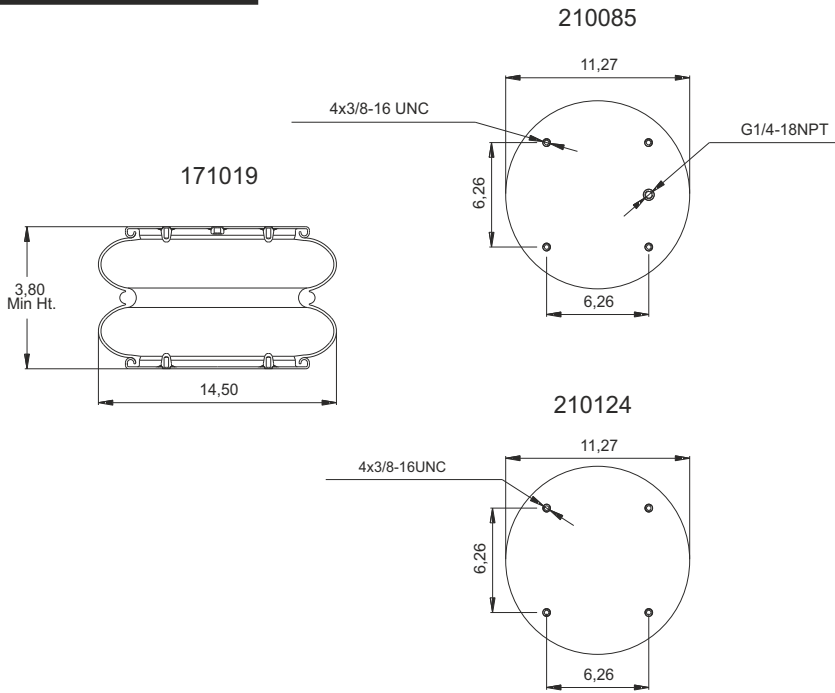
FS.	W01-358-7782
GY.	2B14-470
CT.	FD 530-35 544
AUTOMANN	SP2B34RC-7782
TAURUS	6412
TRIANGLE	4544
FLEET PRIDE	AS7782

### OEM

WATSON / CHALIN	AS-0032
-----------------	---------

Order No	Weight (kg)	Weight (lbs)	QIP (pcs)	Remarks
171038	10,88	24,00	50	

## DC 197784



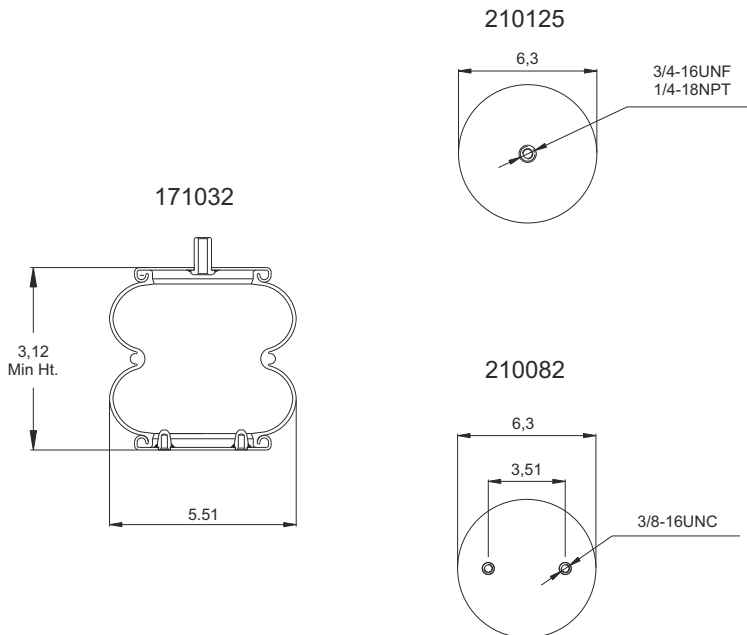
Order No	Weight (kg)	Weight (lbs)	QIP (pcs)	Remarks
171019	9,37	20,66	50	

### Cross References

FS. 233-2  
W01-358-7784

### OEM

## DC 197795



Order No	Weight (kg)	Weight (lbs)	QIP (pcs)	Remarks
171032	3,50	7,72	80	

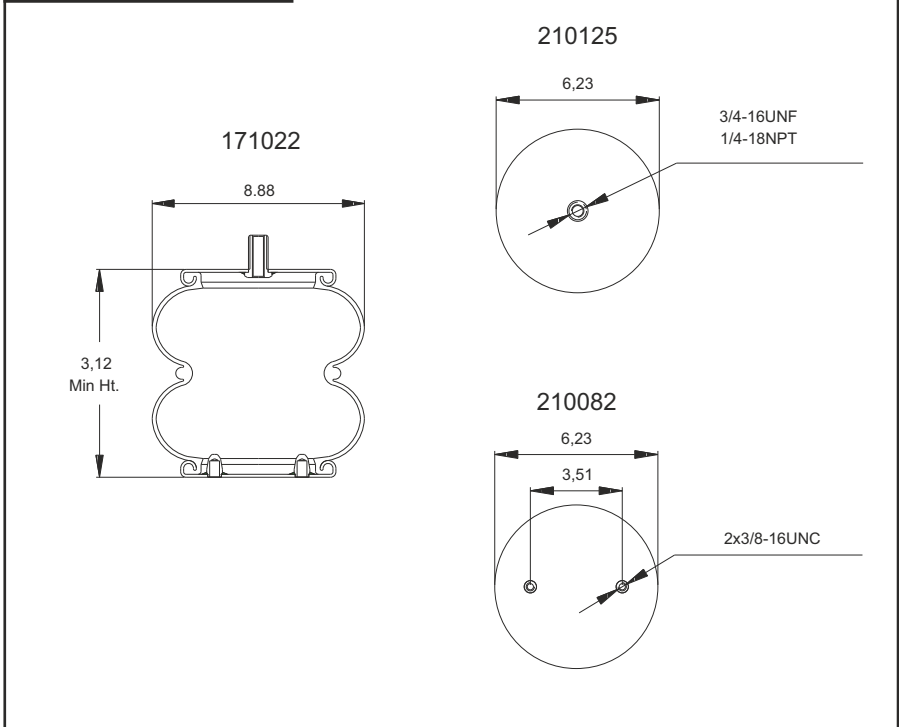
### Cross References

FS. 20F  
W01-358-7795  
GY. 2B10-226  
CT. FD 200-19 713  
AUTOMANN SP2B12R-7795  
TRIANGLE 4713  
FLEET PRIDE AS7795

### OEM

HENDRICKSON B14486 / 3317

# DC 197897



## Cross References

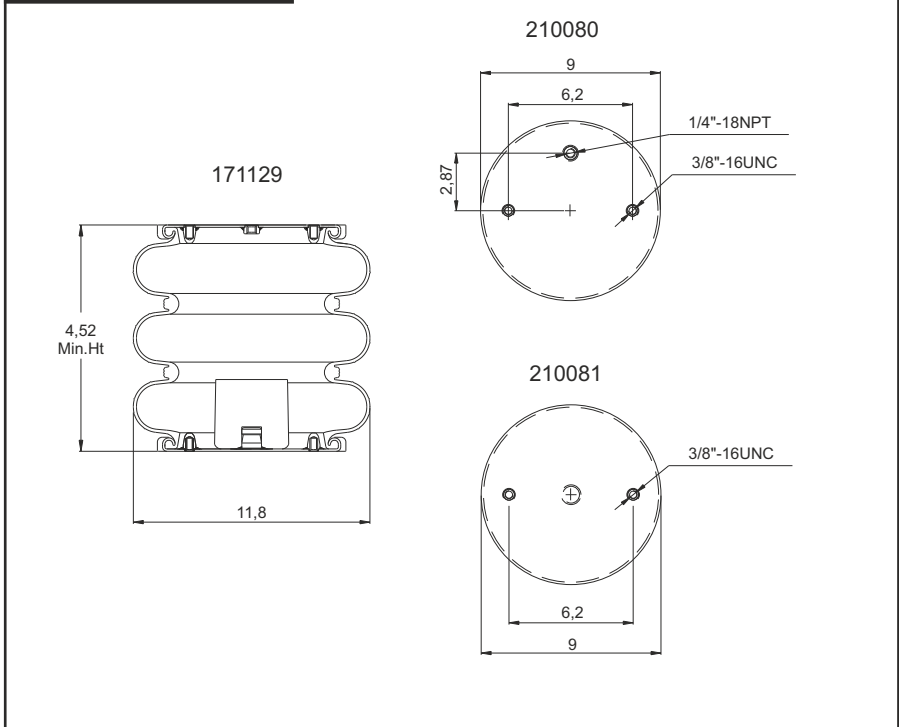
FS.	20F-1
	W01-358-7897
CI.	FD 200-23A 709
AUTOMANN	SP2B12RB-7897
TAURUS	6395
TRIANGLE	4524
FLEET PRIDE	AS7795

## OEM

HENDRICKSON S23114 / 002878

Order No	Weight (kg)	Weight (lbs)	QIP (pcs)	Remarks
171022	3,50	7,72	100	

# DC 197988



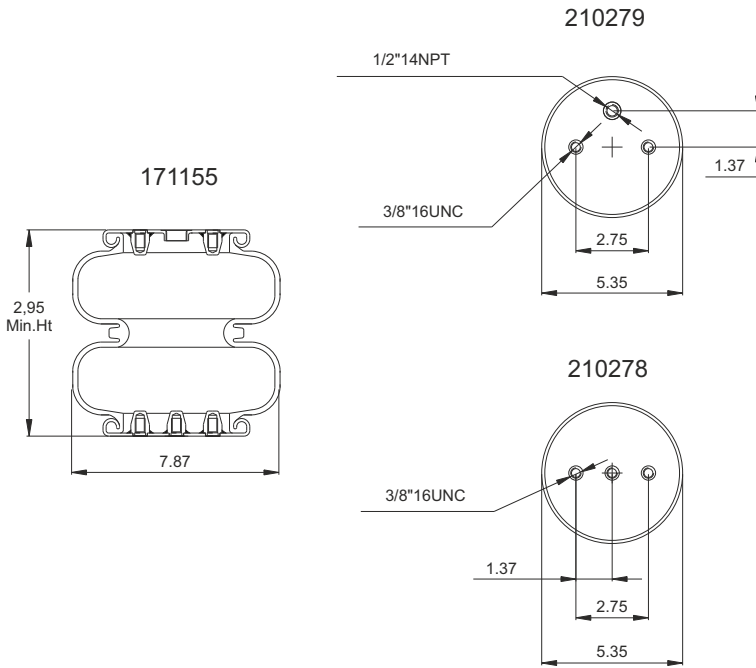
## Cross References

## OEM



Order No	Weight (kg)	Weight (lbs)	QIP (pcs)	Remarks
171129	6,55	14,44	50	

## DC 200-20



Order No	Weight (kg)	Weight (lbs)	QIP (pcs)	Remarks
171155	2,95	6,50	140	

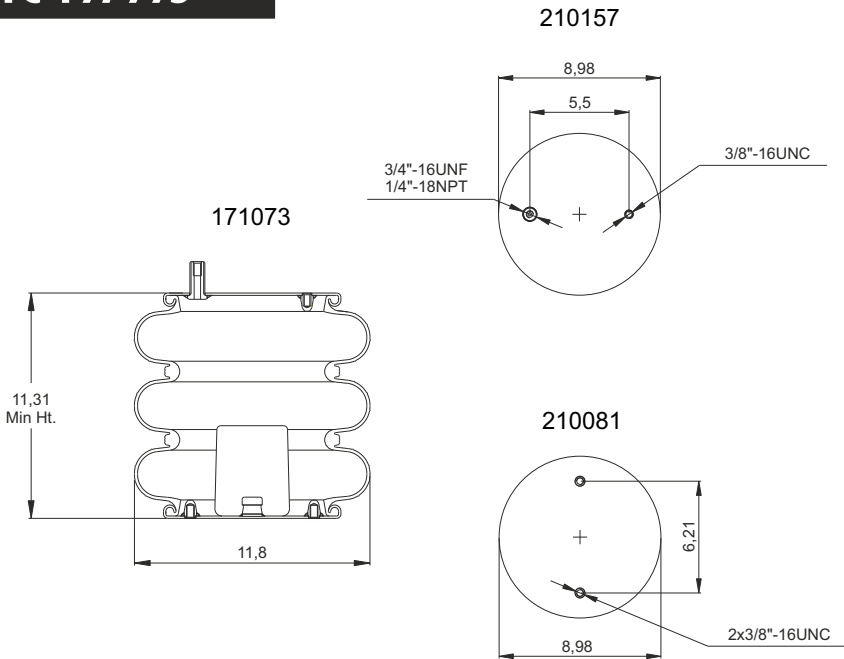
### Cross References

CL	FD 120-20 736
AUTOMANN	SP2B08-C736

### OEM



## TC 197995



Order No	Weight (kg)	Weight (lbs)	QIP (pcs)	Remarks
171073	8,30	18,30	40	

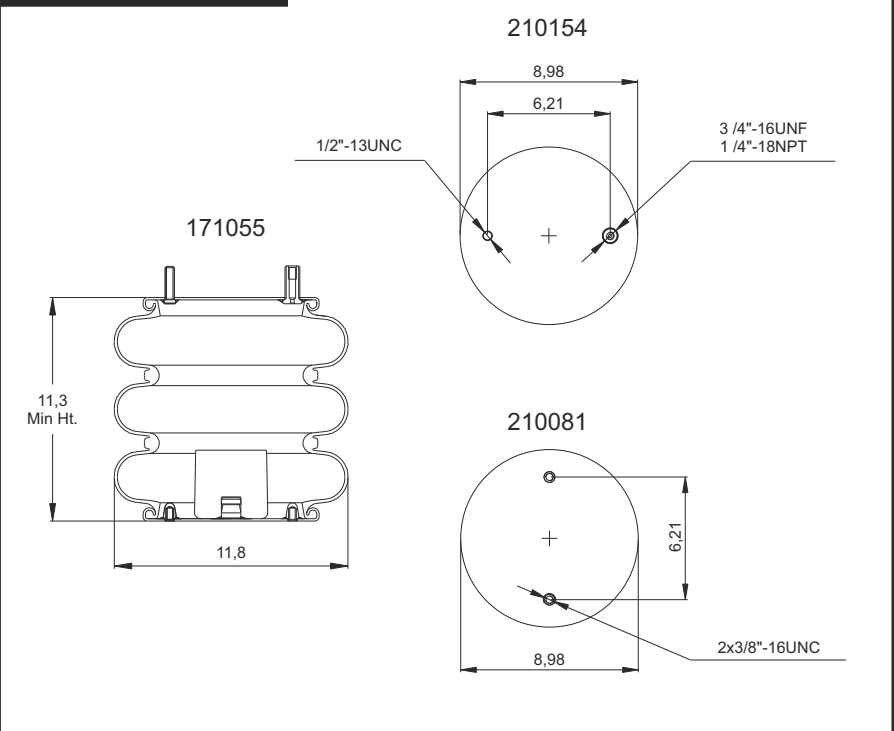
### Cross References

FS.	38
	W01-358-7995
GY.	3B12-315
	3B12-329
CL	FT 330-29 547
	FT 330-29 413
AL	3B-310
	115016
AUTOMANN	SP3B22R-7995
TAURUS	6334
TRIANGLE	4547
FLEET PRIDE	AS7995

### OEM

WATSON / CHALIN AS-0048-1F

# TC 197996



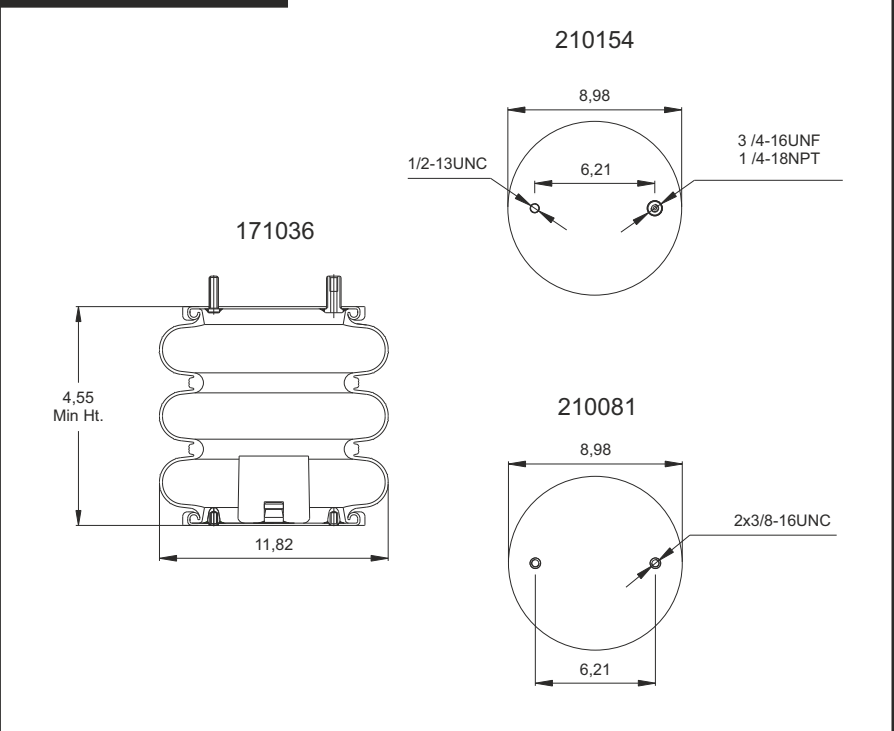
Order No	Weight (kg)	Weight (lbs)	QIP (pcs)	Remarks
171055	8,16	18,00	40	

## Cross References

FS.	38
	W01-358-7996
GY.	3B12-335
CT.	FT 330-29 520
	FT 330-29 723
AT.	3B-310
	115037
AUTOMANN	SP3B22R-7996
TAURUS	6334
TRIANGLE	4520
FLEET PRIDE	AS7996

## OEM

# TC 198018



Order No	Weight (kg)	Weight (lbs)	QIP (pcs)	Remarks
171036	8,30	18,30	40	

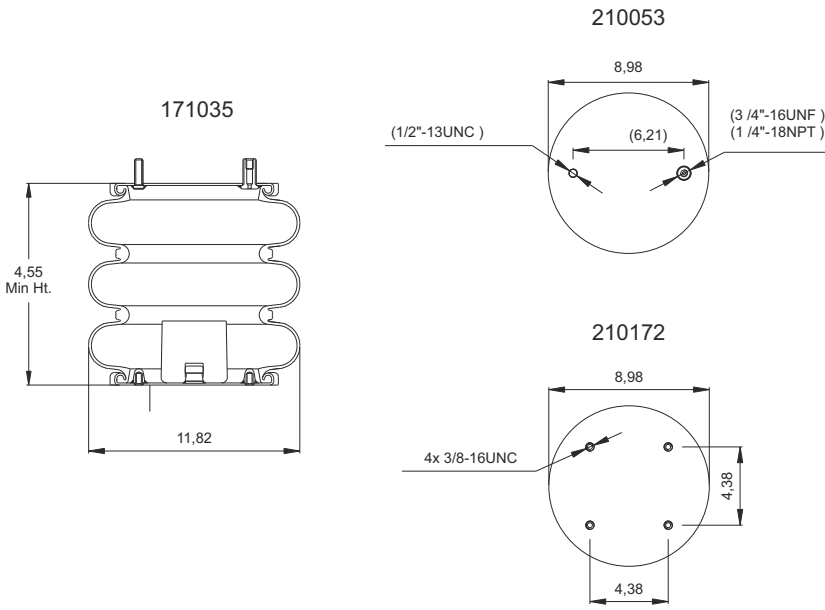
## Cross References

FS.	38
	W01-358-8018
GY.	3B12-303
CT.	FT 330-29 434
AUTOMANN	SP3B22R-8018
TAURUS	6334
TRIANGLE	4434
FLEET PRIDE	AS8018

## OEM

LOADGUARD	Sc2131
REYCO	93AR
SPRING VALLEY	AS-4434
WATSON / CHALIN	AS-0075

# TC 198033



Order No	Weight (kg)	Weight (lbs)	QIP (pcs)	Remarks
171035	8,00	17,64	40	

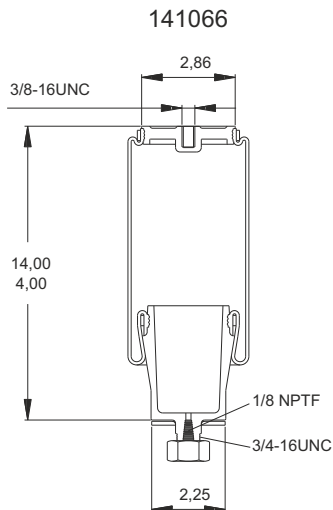
## Cross References

FS.	38
	W01-358-8033
GY	3B12-312
CT	FT 330-29 525
AUTOMANN	SP3B22R-8033
TAURUS	6334
TRIANGLE	4525
FLEET PRIDE	AS8033

## OEM

HENDRICKSON	S14487
	3316
LOADGUARD	SC2784
WATSON / CHALIN	AS-0168G

# C 197036-AL



Order No	Weight (kg)	Weight (lbs)	QIP (pcs)	Remarks
141066	0,72	1,59	70	

## Cross References

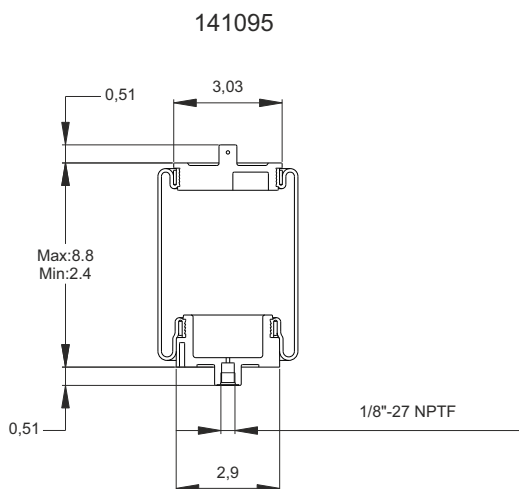
FS.	10.0" YELLOW
	W02-358-7036
CT	SC29-Y036
TRIANGLE	AS-5036

## OEM

PETERBILT	29-03200
-----------	----------



# C 197087



## Cross References

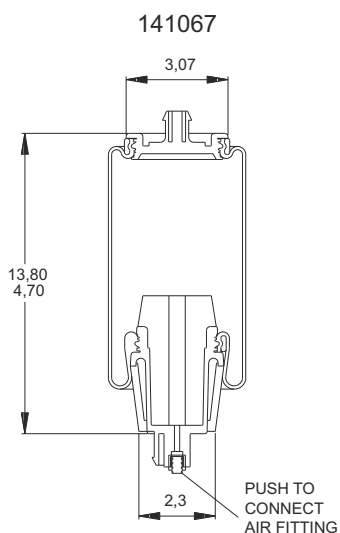
FS.	6.75" WHITE W02-358-7087
GY.	1S5-040
CT.	SC29-W087
TRIANGLE	AS-5087

## OEM

FREIGHTLINER FLD (1988 & later)

Order No	Weight (kg)	Weight (lbs)	QIP (pcs)	Remarks
141095	0,32	0,70	60	

# C 197093



## Cross References

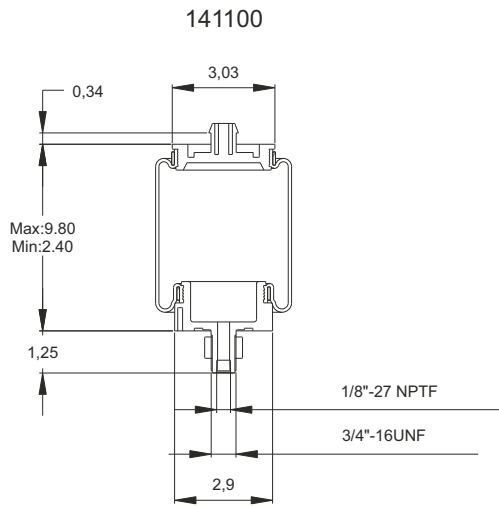
FS.	10.0" BLUE W02-358-7093
-----	----------------------------

## OEM

PETERBILT 29-06016

Order No	Weight (kg)	Weight (lbs)	QIP (pcs)	Remarks
141067	0,70	1,54	70	

# C 197164



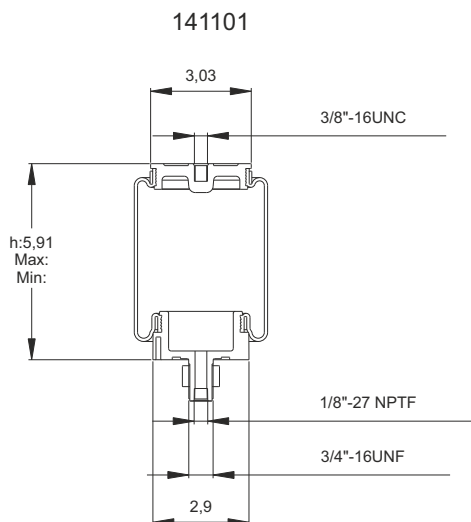
Order No	Weight (kg)	Weight (lbs)	QIP (pcs)	Remarks
141100	0,38	0,84	80	

## Cross References

FS. W02-703-7164

## OEM

# C 197166



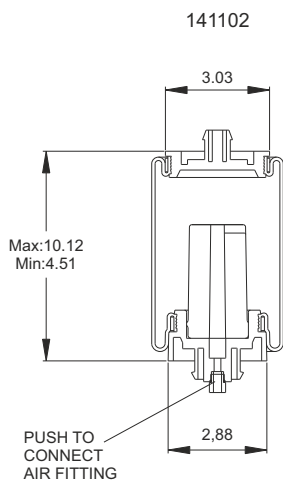
Order No	Weight (kg)	Weight (lbs)	QIP (pcs)	Remarks
141101	0,40	0,88	80	

## Cross References

FS. W02-703-7166

## OEM

# C 197205



## Cross References

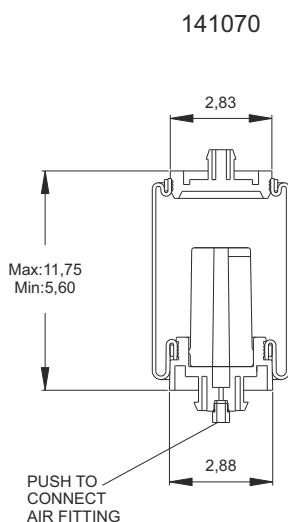
FS. 8.0" YELLOW  
W02-358-7205  
CI SC31-Y205  
TRIANGLE AS-5205

## OEM

FREIGHTLINER 66003-3406

Order No	Weight (kg)	Weight (lbs)	QIP (pcs)	Remarks
141102	0,54	1,19	70	

# C 197206



## Cross References

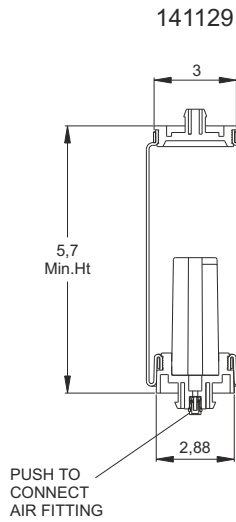
FS. 6.5" WHITE  
W02-358-7206  
CI SC31-W206  
TRIANGLE AS-5206

## OEM

FREIGHTLINER 18-29919-000

Order No	Weight (kg)	Weight (lbs)	QIP (pcs)	Remarks
141070	0,54	1,19	70	

# C 197207



Order No	Weight (kg)	Weight (lbs)	QIP (pcs)	Remarks
141129	0,58	1,28	70	

## Cross References

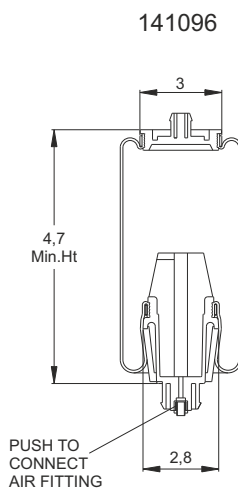
FS.	BLUE W02-358-7207
CT.	SC31-B207
AL.	127207

## OEM

FREIGHTLINER 18-40977-000



# C 197212



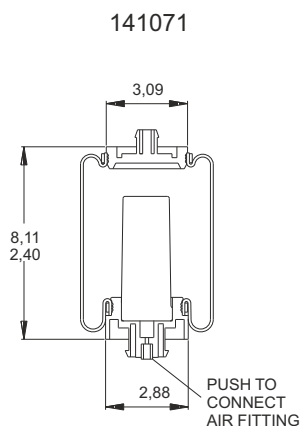
Order No	Weight (kg)	Weight (lbs)	QIP (pcs)	Remarks
141096	0,45	0,99	80	

## Cross References

## OEM



# C 197215



## Cross References

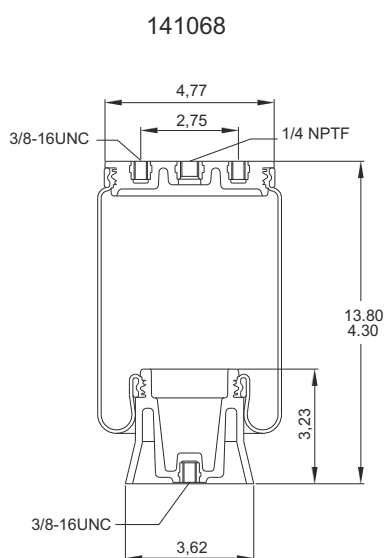
FS.	YELLOW
	W02-358-7215
CI	SC31-Y215
TRIANGLE	AS-5215

## OEM

FREIGHTLINER 18-52651-000

Order No	Weight (kg)	Weight (lbs)	QIP (pcs)	Remarks
141071	0,70	1,54	70	

# KT 199000



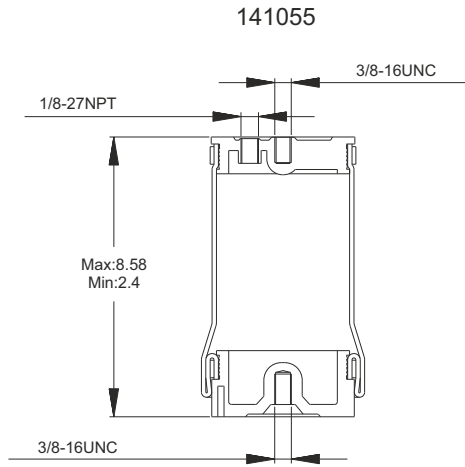
## Cross References

FS.	9.9"
	W21-760-9000

## OEM

Order No	Weight (kg)	Weight (lbs)	QIP (pcs)	Remarks
141068	0,45	1,00	40	

# S 197035



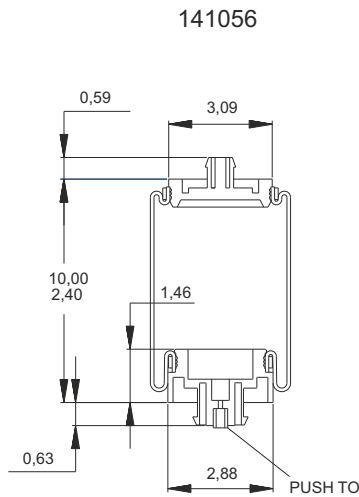
Order No	Weight (kg)	Weight (lbs)	QIP (pcs)	Remarks
141055	0,32	0,71	100	

## Cross References

FS.	6.5" WHITE W02-358-7035
GY.	1S4.5-121
CT.	SC29-W035
TRIANGLE	AS-5035
SEARS / DURAFORM	S9383 S20235

## OEM

# S 197109



Order No	Weight (kg)	Weight (lbs)	QIP (pcs)	Remarks
141056	0,45	0,99	100	

## Cross References

FS.	7.87" YELLOW W02-358-7109
CT.	SC29-Y109
LINK	1102-0077

## OEM

KENWORTH	KW AEROCAB
----------	------------

## MEKPA NA INC.

28621 N. DIESEL DRV. Unit #1,  
Bonita Springs, FL 34135 - USA  
Tel: +1 239 405 7681 | Fax: +1 239 349 2610  
mete@meklas.com | www.meklas.com

## MEKPA HAVA SÜSPANSİYON KÖRÜKLERİ KOLL. ŞTİ.

Ata SB Mh. Gül Cd. No: 9 Bursa Serbest Bölge  
Gemlik, Bursa - TURKEY  
Tel: +90 224 524 87 07 | Fax: +90 224 524 87 08  
info@meklas.com | www.meklas.com

## MEKPA OTOMOTİV İTHALAT İHRACAT SAN. ve TİC. LTD. ŞTİ.

Organize Sanayi Bölgesi Mor Cad. No:2  
16159 Bursa - TURKEY  
Tel: +90 224 411 16 76 | Fax: +90 224 411 16 79  
info@meklas.com | www.meklas.com

## MEKLAS OTOMOTİV İTHALAT İHRACAT SAN. ve TİC. LTD. ŞTİ.

Organize Sanayi Bölgesi Mor Cad. No:2  
16159 Bursa - TURKEY  
Tel: +90 224 411 16 76 | Fax: +90 224 411 16 79  
info@meklas.com | www.meklas.com

## MEKPA CZ s.r.o

Na Nahonu 1140 / 30 Privoz 702 00  
Ostrava - CZECH REPUBLIC  
Tel: +420 596 110 979  
info@meklas.com | www.meklas.com



[www.meklas.com](http://www.meklas.com)